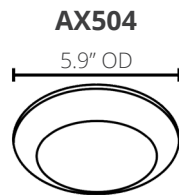


AX504

Surface Mount Disk

Replaces 4" Recessed Can Light - Retrofit Kit Available



Applications

LED flush mounts add class to any decor. Low profile design ideally suited for showers, lobbies, corridors, conference rooms, common spaces, kitchenettes, and interiors in commercial, hospitality, retail, and residential environments.

Specification Features

UL or ETL Listing	Wet Locations
Certifications	Title 24, JA8 Certified DLC Certified Energy Star Qualified
Dimensions	1.2" Height x 5.9" Outside Diameter
Housing	Stamped Steel
Lens/Diffuser	Opal Acrylic - Twist On/Off
Voltage	AC 110-120v - Driverless
Wattage	8w
Lumens	570
CRI	90
Kelvin	CCT Selectable (30K, 40K)
Flicker	T24, JA8 - Flicker Free
Dimmable	T24, JA8 - 0-10v
Operating Temp.	(-20° to -40° C) (25° C Nominal)
Surge Protection	1 kv
Warranty	5 year normal operation
Mounting	Ceiling, includes all necessary hardware. Mounts to most 4" x 4" J boxes. Suitable for installation within closets and/or storage spaces per NEC code 410.16.

AX888 - Retro it Kit

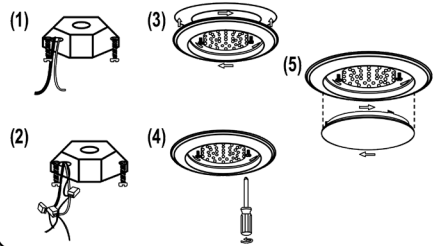
Retrofit Kit includes:

- LED Disk Light (1)
- Mounting Bracket (1)
- Springs Mounting Clip (2)
- Quick Connector (1)
- Mounting Screws (2)
- E26 Lamp Holder Adapter (1)
- Wire Nuts (3)
- Power Connector (1)
- Gasket (1)
- Instructions Sheet (1)



Whether you're installing as a retrofit or a surface mount luminaire, everything you need is included in the box.

Mounting and Assembly Instructions:



Ordering Example:

AX504-8W-CCT-BN-DC888



Prefix	Wattage	Kelvin/CCT	Finish	Options
AX504	8W = 8 Watts	CCT Selectable (30K, 40K)	BN = Brushed Nickel ORB = Oil Rubbed Bronze WH = White	AX888 = Recessed Can Retrofit Kit

AX506-277V/AX508-277V



277V Only Surface Mount Disk

Replaces 6" & 8" Recessed Can Lights - 277V ONLY - Retrofit Kit Available



Applications

LED flush mounts add class to any decor. Low profile design ideally suited for showers, lobbies, corridors, conference rooms, common spaces, kitchenettes, and interiors in commercial, hospitality, retail, and residential environments.

Specification Features

UL or ETL Listing	Wet Locations
Certifications	ETL
Dimensions	AX506-277V = 1.2" Height x 7.4" O.D. AX508-277V = 1.2" Height x 9.5" O.D.
Housing	Stamped Steel
Lens/Diffuser	Opal Acrylic - Twist On/Off
Voltage	AC 277v - Driverless
Wattage	DC506-277V = 16W DC508-277V = 32W
Lumens	DC506-277V = 1,000 DC508-277V = 1,900
CRI	90
Kelvin	30K
Dimmable	Non-Dimmable
Operating Temp.	(-20° to -40° C) (25° C Nominal)
Surge Protection	1 kv
Warranty	5 year normal operation
Mounting	Ceiling, includes all necessary hardware. Mounts to most 4" x 4" J boxes. Suitable for installation within closets and/or storage spaces per NEC code 410.16.

DC888 - Retrofit Kit

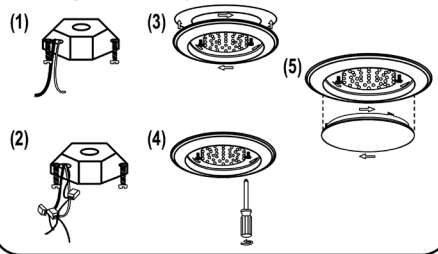
Retrofit Kit includes:

- LED Disk Light (1)
- Mounting Bracket (1)
- Springs Mounting Clip (2)
- Quick Connector (1)
- Mounting Screws (2)
- E26 Lamp Holder Adapter (1)
- Wire Nuts (3)
- Power Connector (1)
- Gasket (1)
- Instructions Sheet (1)



Whether you're installing as a retrofit or a surface mount luminaire, everything you need is included in the box.

Mounting and Assembly Instructions:



Ordering Example:

AX508-277V-32W-30K-BN-DC888



Prefix	Wattage	Kelvin/CCT	Finish	Options
AX506-277V	16W = 16 Watts	30K = 3000°K	BN = Brushed Nickel	AX888 = Recessed Can Retrofit Kit
AX508-277V	32W = 32 Watts	40K = 4000°K	ORB = Oil Rubbed Bronze	
			WH = White	

AX506

Surface Mount Disk

Replaces 6" Recessed Can Light - Retrofit Kit Available



Applications

LED flush mounts add class to any decor. Low profile design ideally suited for showers, lobbies, corridors, conference rooms, common spaces, kitchenettes, and interiors in commercial, hospitality, retail, and residential environments.

Specification Features

UL or ETL Listing	Wet Locations
Certifications	Title 24, JA8 Certified DLC Certified Energy Star Qualified
Dimensions	1.2" Height x 7.4" Outside Diameter
Housing	Stamped Steel
Lens/Diffuser	Opal Acrylic - Twist On/Off
Voltage	AC 110-120v - Driverless
Wattage	10w, 15w
Lumens	800, 1050
CRI	90
Kelvin	CCT Selectable (30K, 40K)
Flicker	(T24, JA8) Flicker Free
Dimmable	(T24, JA8) 0-10v
Operating Temp.	(-20° to -40° C) (25° C Nominal)
Surge Protection	1 kv
Warranty	5 year normal operation
Mounting	Ceiling, includes all necessary hardware. Mounts to most 4" x 4" J boxes. Suitable for installation within closets and/or storage spaces per NEC code 410.16.
EM Back-up	See DCEM Disk Series (pg. 58)

DC888 - Retrofit Kit

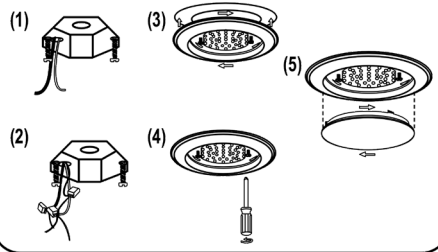
Retrofit Kit includes:

- LED Disk Light (1)
- Mounting Bracket (1)
- Springs Mounting Clip (2)
- Quick Connector (1)
- Mounting Screws (2)
- E26 Lamp Holder Adapter (1)
- Wire Nuts (3)
- Power Connector (1)
- Gasket (1)
- Instructions Sheet (1)



Whether you're installing as a retrofit or a surface mount luminaire, everything you need is included in the box.

Mounting and Assembly Instructions:



Ordering Example:

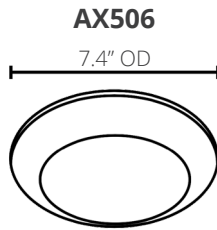
AX506-10W-CCT-BN-DC888

Prefix	Wattage	Kelvin/CCT	Finish	Options
AX506	10W = 10 Watts 15W = 15 Watts	CCT = Selectable (30K, 40K)	BN = Brushed Nickel ORB = Oil Rubbed Bronze WH = White	AX888 = Recessed Can Retrofit Kit

AX506-MS

Surface Mount Disk with Motion Sensor

Replaces 6" Recessed Can Light - Retrofit Kit Available



Applications

LED flush mounts add class to any decor. Low profile design ideally suited for showers, lobbies, corridors, conference rooms, common spaces, kitchenettes, and interiors in commercial, hospitality, retail, and residential environments.

Specification Features

UL or ETL Listing	Wet Locations
Certifications	Title 24, JA8 Certified DLC Certified Energy Star Qualified
Dimensions	1.2" Height x 7.4" Outside Diameter
Housing	Stamped Steel
Lens/Diffuser	Opal Acrylic - Twist On/Off
Voltage	AC 110-120v - Driverless
Wattage	15w
Lumens	800, 1050
CRI	90
Kelvin	CCT Selectable (30K, 40K)
Flicker	(T24, JA8) Flicker Free
Dimmable	(T24, JA8) 0-10v
Operating Temp.	(-20° to -40° C) (25° C Nominal)
Surge Protection	1 kv
Warranty	5 year normal operation
Mounting	Ceiling, includes all necessary hardware. Mounts to most 4" x 4" J boxes. Suitable for installation within closets and/or storage spaces per NEC code 410.16.

DC888 - Retrofit Kit

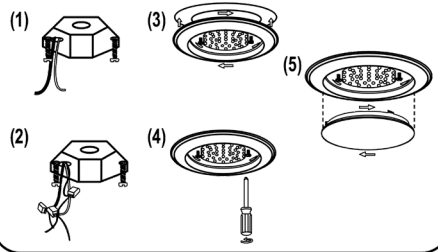
Retrofit Kit includes:

- LED Disk Light (1)
- Mounting Bracket (1)
- Springs Mounting Clip (2)
- Quick Connector (1)
- Mounting Screws (2)
- E26 Lamp Holder Adapter (1)
- Wire Nuts (3)
- Power Connector (1)
- Gasket (1)
- Instructions Sheet (1)



Whether you're installing as a retrofit or a surface mount luminaire, everything you need is included in the box.

Mounting and Assembly Instructions:



Complies with Part 15 of FCC. Operation is subject to the following two conditions: (1) This device may not cause harmful interference, and (2) This device must accept any interference received including interference that may cause undesired operation.



Ordering Example:

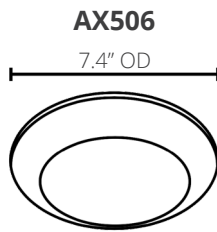
AX506-15W-CCT-BN-MS

Prefix	Wattage	Kelvin/CCT	Finish	Options
AX506	15W = 15 Watts	CCT = Selectable (30K, 40K)	BN = Brushed Nickel ORB = Oil Rubbed Bronze WH = White	MS = Motion Sensor

AX506

Surface Mount Disk

Replaces 6" Recessed Can Light - Retrofit Kit Available



Applications

LED flush mounts add class to any decor. Low profile design ideally suited for showers, lobbies, corridors, conference rooms, common spaces, kitchenettes, and interiors in commercial, hospitality, retail, and residential environments.

Specification Features

UL or ETL Listing	Wet Locations
Certifications	Title 24, JA8 Certified DLC Certified Energy Star Qualified
Dimensions	1.2" Height x 7.4" Outside Diameter
Housing	Stamped Steel
Lens/Diffuser	Opal Acrylic - Twist On/Off
Voltage	AC 110-120v - Driverless
Wattage	15w
Lumens	800, 1050
CRI	90
Kelvin	CCT Selectable (30K, 40K)
Flicker	(T24, JA8) Flicker Free
Dimmable	(T24, JA8) 0-10v
Operating Temp.	(-20° to -40° C) (25° C Nominal)
Surge Protection	1 kv
Warranty	5 year normal operation
Mounting	Ceiling, includes all necessary hardware. Mounts to most 4" x 4" J boxes. Suitable for installation within closets and/or storage spaces per NEC code 410.16.
EM Back-up	See DCEM Disk Series (pg. 58)

DC888 - Retrofit Kit

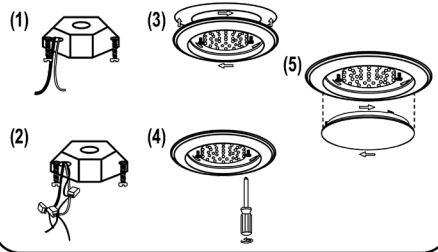
Retrofit Kit includes:

- LED Disk Light (1)
- Mounting Bracket (1)
- Springs Mounting Clip (2)
- Quick Connector (1)
- Mounting Screws (2)
- E26 Lamp Holder Adapter (1)
- Wire Nuts (3)
- Power Connector (1)
- Gasket (1)
- Instructions Sheet (1)



Whether you're installing as a retrofit or a surface mount luminaire, everything you need is included in the box.

Mounting and Assembly Instructions:



Complies with Part 15 of FCC. Operation is subject to the following two conditions: (1) This device may not cause harmful interference, and (2) This device must accept any interference received including interference that may cause undesired operation.



Ordering Example:

AX506-15W-CCT-BN-DC888

Prefix	Wattage	Kelvin/CCT	Finish	Options
AX506	15W = 15 Watts	CCT = Selectable (30K, 40K)	BN = Brushed Nickel ORB = Oil Rubbed Bronze WH = White	AX888 = Recessed Can Retrofit Kit

AX506-277V/AX508-277V



277V Only Surface Mount Disk

Replaces 6" & 8" Recessed Can Lights - 277V ONLY - Retrofit Kit Available



Applications

LED flush mounts add class to any decor. Low profile design ideally suited for showers, lobbies, corridors, conference rooms, common spaces, kitchenettes, and interiors in commercial, hospitality, retail, and residential environments.

Specification Features

UL or ETL Listing	Wet Locations
Certifications	ETL
Dimensions	DC506-277V = 1.2" Height x 7.4" O.D. DC508-277V = 1.2" Height x 9.5" O.D.
Housing	Stamped Steel
Lens/Diffuser	Opal Acrylic - Twist On/Off
Voltage	AC 277v - Driverless
Wattage	AX506-277V = 16W AX508-277V = 32W
Lumens	AX506-277V = 1,000 AX508-277V = 1,900
CRI	90
Kelvin	30K
Dimmable	Non-Dimmable
Operating Temp.	(-20° to -40° C) (25° C Nominal)
Surge Protection	1 kv
Warranty	5 year normal operation
Mounting	Ceiling, includes all necessary hardware. Mounts to most 4" x 4" J boxes. Suitable for installation within closets and/or storage spaces per NEC code 410.16.

AX888 - Retro it Kit

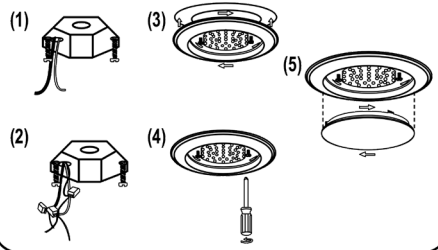
Retrofit Kit includes:

- LED Disk Light (1)
- Mounting Bracket (1)
- Springs Mounting Clip (2)
- Quick Connector (1)
- Mounting Screws (2)
- E26 Lamp Holder Adapter (1)
- Wire Nuts (3)
- Power Connector (1)
- Gasket (1)
- Instructions Sheet (1)



Whether you're installing as a retrofit or a surface mount luminaire, everything you need is included in the box.

Mounting and Assembly Instructions:



Ordering Example:

AX508-277V-32W-30K-BN-AX888

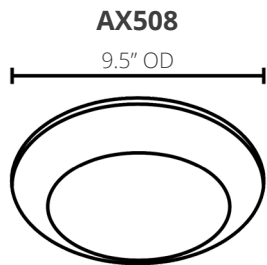
Prefix	Wattage	Kelvin/CCT	Finish	Options
AX506-277V	16W = 16 Watts	30K = 3000°K	BN = Brushed Nickel	AX888 = Recessed Can Retrofit Kit
AX508-277V	32W = 32 Watts	40K = 4000°K	ORB = Oil Rubbed Bronze	
			WH = White	



AX508

Surface Mount Disk

Replaces 8" Recessed Can Light - Retrofit Kit Available



Applications

LED flush mounts add class to any decor. Low profile design ideally suited for showers, lobbies, corridors, conference rooms, common spaces, kitchenettes, and interiors in commercial, hospitality, retail, and residential environments.

Specification Features

UL or ETL Listing	Wet Locations
Certifications	Title 24, JA8 Certified DLC Certified Energy Star - Qualified
Dimensions	1.2" Height x 9.5" Outside Diameter
Housing	Stamped Steel
Lens/Diffuser	Opal Acrylic - Twist On/Off
Voltage	AC 110-120v - Driverless
Wattage	30w
Lumens	2200
CRI	90
Kelvin	CCT Selectable (30K, 40K)
Flicker	(T24, JA8) Flicker Free
Dimmable	(T24, JA8) 0-10v
Operating Temp.	(-20° to -40° C) (25° C Nominal)
Surge Protection	1 kv
Warranty	5 year normal operation
Mounting	Ceiling, includes all necessary hardware. Mounts to most 4" x 4" J boxes. Suitable for installation within closets and/or storage spaces per NEC code 410.16.
EM Back-up	See DCEM Disk Series (pg. 59)

AX888 - Retro it Kit

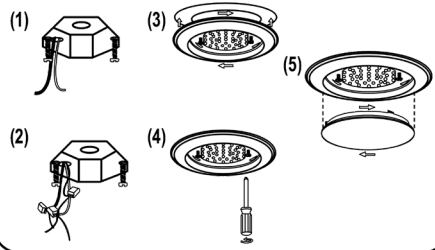
Retrofit Kit includes:

- LED Disk Light (1)
- Mounting Bracket (1)
- Springs Mounting Clip (2)
- Quick Connector (1)
- Mounting Screws (2)
- E26 Lamp Holder Adapter (1)
- Wire Nuts (3)
- Power Connector (1)
- Gasket (1)
- Instructions Sheet (1)



Whether you're installing as a retrofit or a surface mount luminaire, everything you need is included in the box.

Mounting and Assembly Instructions:



Complies with Part 15 of FCC. Operation is subject to the following two conditions: (1) This device may not cause harmful interference, and (2) This device must accept any interference received including interference that may cause undesired operation.



Ordering Example:

AX508-30W-CCT-BN-AX888

Prefix	Wattage	Kelvin/CCT	Finish	Options
AX508	30W = 30 Watts	CCT = Selectable (30K, 40K)	BN = Brushed Nickel ORB = Oil Rubbed Bronze WH = White	AX888 = Recessed Can Retrofit Kit

AX604

4" Ultra Thin Round Surface Mount Disk

Replaces 4" Recessed Can Light

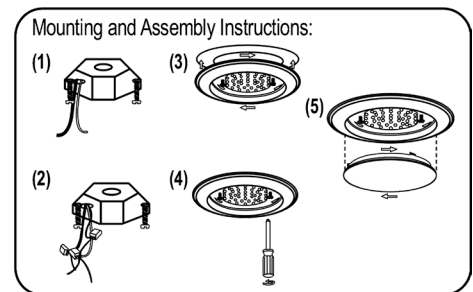
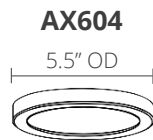


Applications

LED flush mounts add class to any decor. Low profile design ideally suited for showers, lobbies, corridors, conference rooms, common spaces, kitchenettes, and interiors in commercial, hospitality, retail, and residential environments.

Specification Features

UL or ETL Listing	Wet Locations
Certifications	Title 24, JA8 Certified DLC Certified Energy Star Qualified
Dimensions	.79" Height x 5.5" Outside Diameter
Housing	Stamped Steel
Lens/Diffuser	Flat Glass Lens
Voltage	AC 110-120v - Driverless
Wattage	10w
Lumens	600
CRI	90
Kelvin	30K, 40K
Flicker	(T24, JA8) Flicker Free
Dimmable	(T24, JA8) 0-10v - Tri-arc
Operating Temp.	(-20° to -40° C) (25° C Nominal)
Surge Protection	1 kv
Warranty	5 year normal operation
Mounting	Ceiling, includes all necessary hardware. Mounts to most 4" x 4" J boxes. Suitable for installation within closets and/or storage spaces per NEC code 410.16.



Ordering Example:

AX604-10W-30K-BN



Prefix	Wattage	Kelvin/CCT	Finish	Options
AX604	10W = 10 Watts	30K = 3000°K 40K = 4000°K	BN = Brushed Nickel ORB = Oil Rubbed Bronze WH = White	

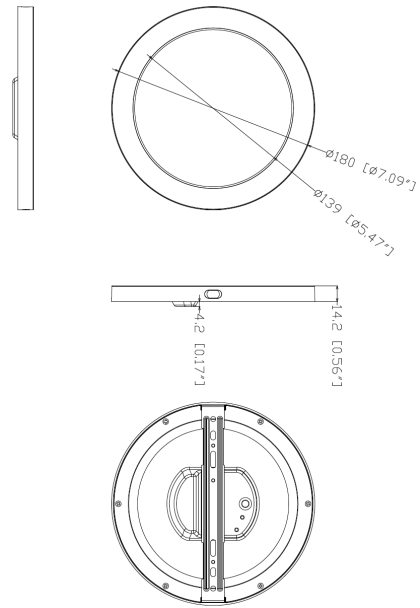
AX606

LED 6" Ultra-Thin Round Disk Light



Specification Features

UL/ETL Listing	Damp Location
Construction	Plastic
Lens/Diffuser	White Plastic
Light Source	12 watt Integrated LED
Lumens	809lm
CRI	80
Voltage	120v
Warranty	5 year normal operation
Dimensions	7.09"W x 0.56"H



Ordering Example: AX606-12W-40K-WH



Prefix	Wattage	Color Temp.	Finish
AX606	12W = 12 watt Integrated LED	30K = 3000° Kelvin 40K = 4000° Kelvin	WH = White

AX608

8" Ultra Thin Round Surface Mount Disk

Replaces 8" Recessed Can Light

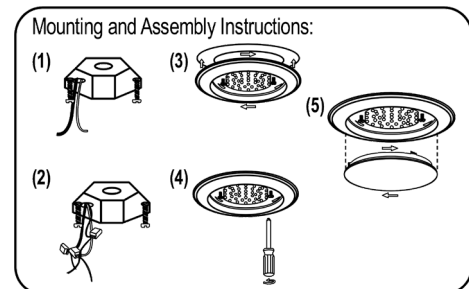


Applications

LED flush mounts add class to any decor. Low profile design ideally suited for showers, lobbies, corridors, conference rooms, common spaces, kitchenettes, and interiors in commercial, hospitality, retail, and residential environments.

Specification Features

UL or ETL Listing	Wet Locations
Certifications	Title 24, JA8 Certified DLC Certified Energy Star Qualified
Dimensions	.79" Height x 9" Outside Diameter
Housing	Stamped Steel
Lens/Diffuser	Flat Glass Lens
Voltage	AC 110-120v - Driverless
Wattage	15w, 18w
Lumens	1,050, 1,600
CRI	90
Kelvin	30K, 40K
Flicker	(T24, JA8) Flicker Free
Dimmable	(T24, JA8) 0-10v
Operating Temp.	(-20° to -40° C) (25° C Nominal)
Surge Protection	1 kv
Warranty	5 year normal operation
Mounting	Ceiling, includes all necessary hardware. Mounts to most 4" x 4" J boxes. Suitable for installation within closets and/or storage spaces per NEC code 410.16.



Ordering Example:

AX608-15W-30K-BN

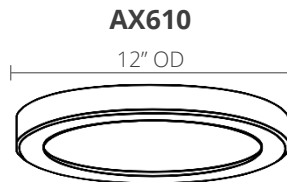


Prefix	Wattage	Kelvin/CCT	Finish	Options
AX608	15W = 15 Watts 18W = 18 Watts	30K = 3000°K 40K = 4000°K	BN = Brushed Nickel ORB = Oil Rubbed Bronze WH = White	

AX610

12" Ultra Thin Round Surface Mount Disk

Replaces 12" Recessed Can Light

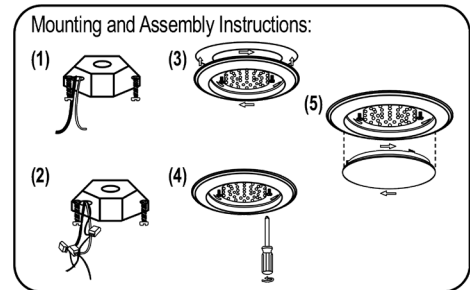


Applications

LED flush mounts add class to any decor. Low profile design ideally suited for showers, lobbies, corridors, conference rooms, common spaces, kitchenettes, and interiors in commercial, hospitality, retail, and residential environments.

Specification Features

UL or ETL Listing	Wet Locations
Certifications	Title 24, JA8 Certified DLC Certified Energy Star Qualified
Dimensions	.79" Height x 12" Outside Diameter
Housing	Stamped Steel
Lens/Diffuser	Flat Glass Lens
Voltage	AC 110-120v - Driverless
Wattage	25w
Lumens	2,200
CRI	90
Kelvin	30K, 40K
Flicker	(T24, JA8) Flicker Free
Dimmable	(T24, JA8) 0-10v
Operating Temp.	(-20° to -40° C) (25° C Nominal)
Surge Protection	1 kv
Warranty	5 year normal operation
Mounting	Ceiling, includes all necessary hardware. Mounts to most 4" x 4" J boxes. Suitable for installation within closets and/or storage spaces per NEC code 410.16.



Ordering Example:

AX610-25W-30K-BN



Prefix	Wattage	Kelvin/CCT	Finish	Options
AX610	25W = 25 Watts	30K = 3000°K 40K = 4000°K	BN = Brushed Nickel ORB = Oil Rubbed Bronze WH = White	

AX626

6" Low Profile Round Surface Mount Disk

Replaces 6" Recessed Can Light

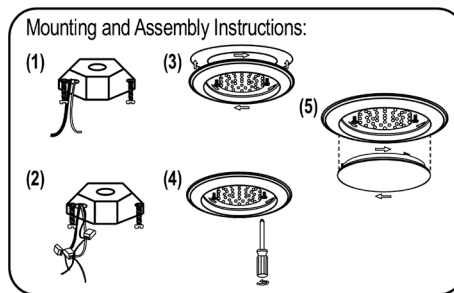


Applications

LED flush mounts add class to any decor. Low profile design ideally suited for showers, lobbies, corridors, conference rooms, common spaces, kitchenettes, and interiors in commercial, hospitality, retail, and residential environments.

Specification Features

UL or ETL Listing	Wet Locations
Certifications	Title 24, JA8 Certified DLC Certified Energy Star Qualified
Dimensions	1.2" Height x 7.2" Outside Diameter
Housing	Stamped Steel
Lens/Diffuser	Flat Glass Lens
Voltage	AC 110-120v - Driverless
Wattage	15w
Lumens	1,050
CRI	80
Kelvin	30K, 40K
Flicker	(T24, JA8) Flicker Free
Dimmable	(T24, JA8) 0-10v
Operating Temp.	(-20° to -40° C) (25° C Nominal)
Surge Protection	1 kv
Warranty	5 year normal operation
Mounting	Ceiling, includes all necessary hardware. Mounts to most 4" x 4" J boxes. Suitable for installation within closets and/or storage spaces per NEC code 410.16.
EM Back-Up	See page 55



Ordering Example:

AX626-15W-30K-BN



Prefix	Wattage	Kelvin/CCT	Finish	Options
AX626	15W = 15 Watts	30K = 3000° K 40K = 4000° K	BN = Brushed Nickel ORB = Oil Rubbed Bronze WH = White	

AX628

8" Low Profile Round Surface Mount Disk

Replaces 8" Recessed Can Light

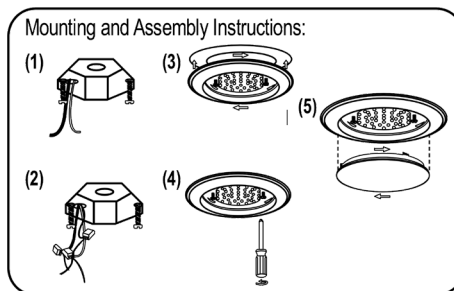


Applications

LED flush mounts add class to any decor. Low profile design ideally suited for showers, lobbies, corridors, conference rooms, common spaces, kitchenettes, and interiors in commercial, hospitality, retail, and residential environments.

Specification Features

UL or ETL Listing	Wet Locations
Certifications	Title 24, JA8 Certified DLC Certified Energy Star Qualified
Dimensions	1.2" Height x 8.5" Outside Diameter
Housing	Stamped Steel
Lens/Diffuser	Flat Glass Lens
Voltage	AC 110-120v - Driverless
Wattage	20w
Lumens	1,400
CRI	80
Kelvin	30K, 40K
Flicker	(T24, JA8) Flicker Free
Dimmable	(T24, JA8) 0-10v
Operating Temp.	(-20° to -40° C) (25° C Nominal)
Surge Protection	1 kv
Warranty	5 year normal operation
Mounting	Ceiling, includes all necessary hardware. Mounts to most 4" x 4" J boxes. Suitable for installation within closets and/or storage spaces per NEC code 410.16.
EM Back-Up	See page 57



Ordering Example:

AX628-15W-30K-BN



Prefix	Wattage	Kelvin/CCT	Finish	Options
AX628	20W = 20 Watts	30K = 3000°K 40K = 4000°K	BN = Brushed Nickel ORB = Oil Rubbed Bronze WH = White	

AX630

10" Low Profile Round Surface Mount Disk

Replaces 10" Recessed Can Light

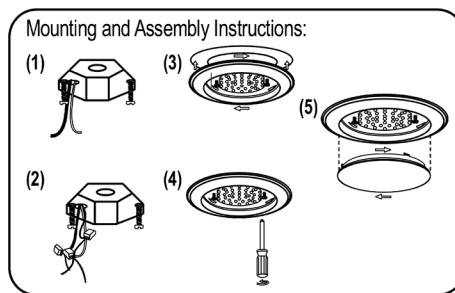
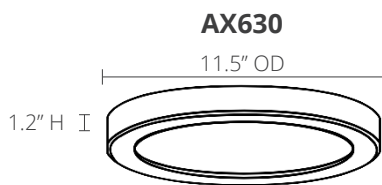


Applications

LED flush mounts add class to any decor. Low profile design ideally suited for showers, lobbies, corridors, conference rooms, common spaces, kitchenettes, and interiors in commercial, hospitality, retail, and residential environments.

Specification Features

UL or ETL Listing	Wet Locations
Certifications	Title 24, JA8 Certified DLC Certified Energy Star Qualified
Dimensions	1.2" Height x 12" Outside Diameter
Housing	Stamped Steel
Lens/Diffuser	Flat Glass Lens
Voltage	AC 110-120v - Driverless
Wattage	25w
Lumens	1,750
CRI	80
Kelvin	30K, 40K
Flicker	(T24, JA8) Flicker Free
Dimmable	(T24, JA8) 0-10v
Operating Temp.	(-20° to -40° C) (25° C Nominal)
Surge Protection	1 kv
Warranty	5 year normal operation
Mounting	Ceiling, includes all necessary hardware. Mounts to most 4" x 4" J boxes. Suitable for installation within closets and/or storage spaces per NEC code 410.16.



Ordering Example:

AX630-25W-30K-BN

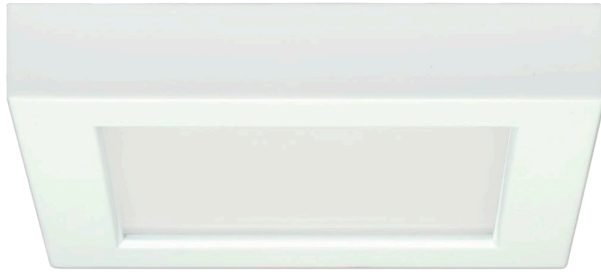


Prefix	Wattage	Kelvin/CCT	Finish	Options
AX630	25W = 25 Watts	30K = 3000° K 40K = 4000° K	BN = Brushed Nickel ORB = Oil Rubbed Bronze WH = White	

AX704

4" Ultra-Thin Square Surface Mount Disk

Replaces 4" Recessed Can Light

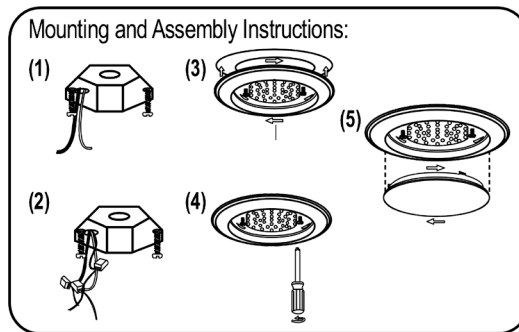
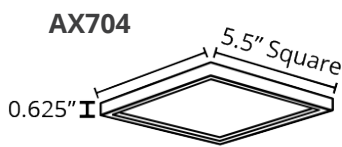


Applications

LED flush mounts add class to any decor. Low profile design ideally suited for showers, lobbies, corridors, conference rooms, common spaces, kitchenettes, and interiors in commercial, hospitality, retail, and residential environments.

Specification Features

UL or ETL Listing	Wet Locations
Certifications	Title 24, JA8 Certified DLC Certified Energy Star Qualified
Dimensions	.625" Height x 5.5" Outside Diameter
Housing	Stamped Steel
Lens/Diffuser	Flat Glass Lens
Voltage	AC 110-120v - Driverless
Wattage	8w
Lumens	660
CRI	90
Kelvin	30K, 40K
Flicker	(T24, JA8) Flicker Free
Dimmable	(T24, JA8) 0-10v
Operating Temp.	(-20° to -40° C) (25° C Nominal)
Surge Protection	1 kv
Warranty	5 year normal operation
Mounting	Ceiling, includes all necessary hardware. Mounts to most 4" x 4" J boxes. Suitable for installation within closets and/or storage spaces per NEC code 410.16.



Ordering Example:

AX704-8W-30K-BN

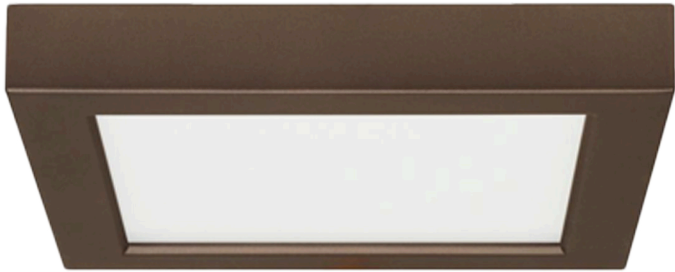
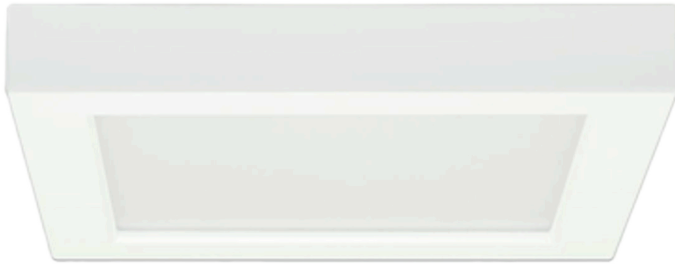


Prefix	Wattage	Kelvin/CCT	Finish	Options
AX704	8W = 8 Watts	30K = 3000° K 40K = 4000° K	BN = Brushed Nickel ORB = Oil Rubbed Bronze WH = White	

AX706

6" Ultra-Thin Square Surface Mount Disk

Replace 6" Recessed Can Light

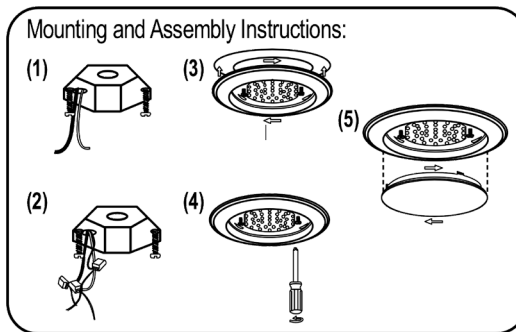
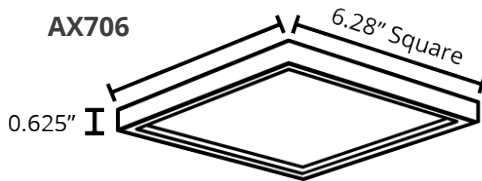


Applications

LED flush mounts add class to any decor. Low profile design ideally suited for showers, lobbies, corridors, conference rooms, common spaces, kitchenettes, and interiors in commercial, hospitality, retail, and residential environments.

Specification Features

UL or ETL Listing	Wet Locations
Certifications	Title 24, JA8 Certified DLC Certified Energy Star Qualified
Dimensions	.625" Height x 6.28" Outside Diameter
Housing	Stamped Steel
Lens/Diffuser	Flat Glass Lens
Voltage	AC 110-120v - Driverless
Wattage	10w
Lumens	600
CRI	90
Kelvin	30K, 40K
Flicker	(T24, JA8) Flicker Free
Dimmable	(T24, JA8) 0-10v
Operating Temp.	(-20° to -40° C) (25° C Nominal)
Surge Protection	1 kv
Warranty	5 year normal operation
Mounting	Ceiling, includes all necessary hardware. Mounts to most 4" x 4" J boxes. Suitable for installation within closets and/or storage spaces per NEC code 410.16.



Ordering Example:

AX706-10W-30K-BN

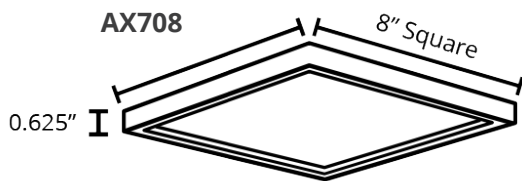
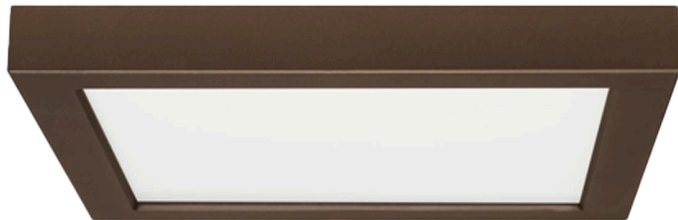
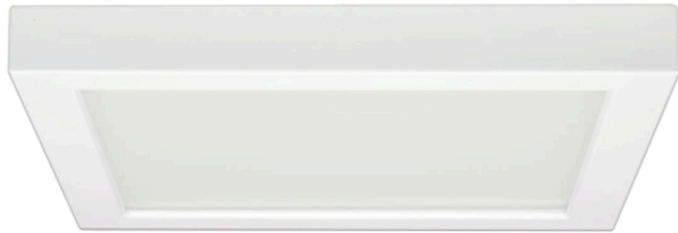


Prefix	Wattage	Kelvin/CCT	Finish	Options
AX706	10W = 10 Watts	30K = 3000°K 40K = 4000°K	BN = Brushed Nickel ORB = Oil Rubbed Bronze WH = White	

AX708

8" Ultra-Thin Square Surface Mount Disk

Replaces 8" Recessed Can Light



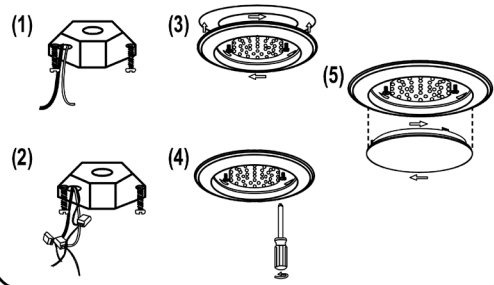
Applications

LED flush mounts add class to any decor. Low profile design ideally suited for showers, lobbies, corridors, conference rooms, common spaces, kitchenettes, and interiors in commercial, hospitality, retail, and residential environments.

Specification Features

UL or ETL Listing	Wet Locations
Certifications	Title 24, JA8 Certified DLC Certified Energy Star Qualified
Dimensions	.625" Height x 8" Outside Diameter
Housing	Stamped Steel
Lens/Diffuser	Flat Glass Lens
Voltage	AC 110-120v - Driverless
Wattage	15w
Lumens	1,050
CRI	90
Kelvin	30K, 40K
Flicker	(T24, JA8) Flicker Free
Dimmable	(T24, JA8) 0-10v
Operating Temp.	(-20° to -40° C) (25° C Nominal)
Surge Protection	1 kv
Warranty	5 year normal operation
Mounting	Ceiling, includes all necessary hardware. Mounts to most 4" x 4" J boxes. Suitable for installation within closets and/or storage spaces per NEC code 410.16.

Mounting and Assembly Instructions:



Ordering Example:

AX708-15W-30K-BN



Prefix	Wattage	Kelvin/CCT	Finish	Options
AX708	15W = 15 Watts	30K = 3000° K 40K = 4000° K	BN = Brushed Nickel ORB = Oil Rubbed Bronze WH = White	

AX710

10" Ultra-Thin Square Surface Mount Disk

Replace 10" Recessed Can Light

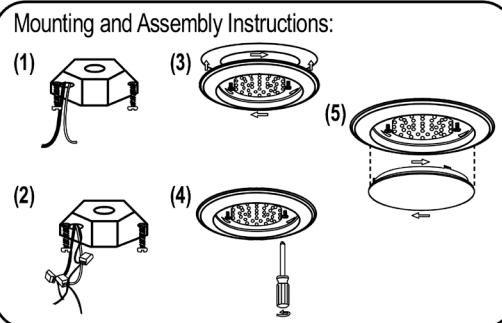
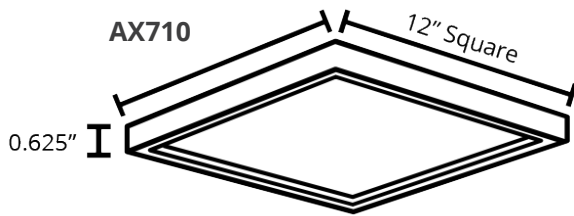


Applications

LED flush mounts add class to any decor. Low profile design ideally suited for showers, lobbies, corridors, conference rooms, common spaces, kitchenettes, and interiors in commercial, hospitality, retail, and residential environments.

Specification Features

UL or ETL Listing	Wet Locations
Certifications	Title 24, JA8 Certified DLC Certified Energy Star Qualified
Dimensions	.625" Height x 12" Outside Diameter
Housing	Stamped Steel
Lens/Diffuser	Flat Glass Lens
Voltage	AC 110-120v - Driverless
Wattage	23w
Lumens	1,850
CRI	90
Kelvin	30K, 40K
Flicker	(T24, JA8) Flicker Free
Dimmable	(T24, JA8) 0-10v
Operating Temp.	(-20° to -40° C) (25° C Nominal)
Surge Protection	1 kv
Warranty	5 year normal operation
Mounting	Ceiling, includes all necessary hardware. Mounts to most 4" x 4" J boxes. Suitable for installation within closets and/or storage spaces per NEC code 410.16.



Ordering Example:

AX710-23W-30K-BN

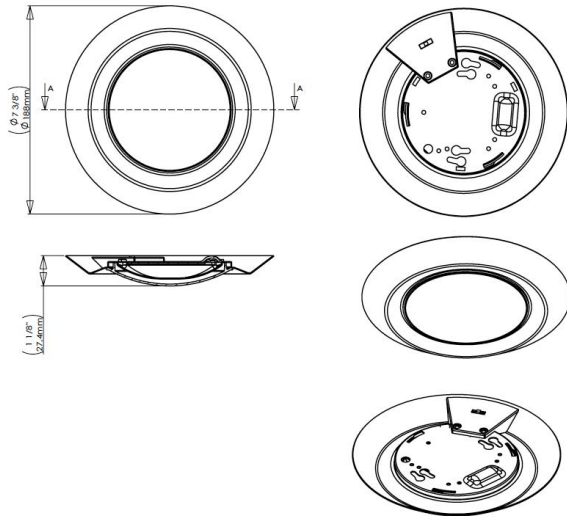


Prefix	Wattage	Kelvin/CCT	Finish	Options
AX710	23W = 23 Watts	30K = 3000°K 40K = 4000°K	BN = Brushed Nickel ORB = Oil Rubbed Bronze WH = White	

AX890

6" LED Pancake Disk Light

Replaces 6" Recessed Can Light - Retrofit Kit Available



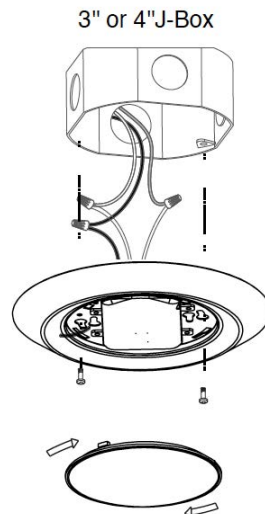
Applications

LED flush mounts add class to any decor. Low profile design ideally suited for showers, lobbies, corridors, conference rooms, common spaces, kitchenettes, and interiors in commercial, hospitality, retail, and residential environments.

Specification Features

UL or ETL Listing	Wet Locations
Dimensions	1.125" Height x 7.375" Outside Diameter
Housing	Stamped Steel
Lens/Diffuser	Opal Acrylic - Snap in
Voltage	120V
Wattage	15W
Lumens	800lm
CRI	90
Kelvin	30K, 40K
Dimmable	0-10v
Warranty	5 year normal operation
Mounting	Ceiling, includes all necessary hardware. Mounts to most 4" x 4" J boxes.

Installation



AX888 - Retro it Kit

Retrofit Kit includes:

- LED Disk Light (1)
- Mounting Bracket (1)
- Springs Mounting Clip (2)
- Quick Connector (1)
- Mounting Screws (2)
- E26 Lamp Holder Adapter (1)
- Wire Nuts (3)
- Power Connector (1)
- Gasket (1)
- Instructions Sheet (1)



Whether you're installing as a retrofit or a surface mount luminaire, everything you need is included in the box.

Ordering Example:

AX890-15W-30K-WH



Prefix	Wattage	Kelvin/CCT	Finish	Options
AX890	15W = 15 Watts	30K = 3000°K 40K = 4000°K	BN = Brushed Nickel ORB = Oil Rubbed Bronze WH = White	AX888 = Recessed Can Retrofit Kit

AX980

8" LED Disk Light



Specification Features

UL/ETL Listing	Wet Location
Construction	
Lens/Diffuser	
Light Source	15 Watt Integrated LED
Lumens	1,050lm
CRI	80
Dimmable	0-10v
Voltage	120v
Warranty	5 year normal operation
Dimensions	7.5"Diameter

Ordering Example: AX980-15W-30K-WH



Prefix	Wattage	Color Temp.	Finish
AX980	15W = 15 watt Integrated LED	30K = 3000° Kelvin	WH = White

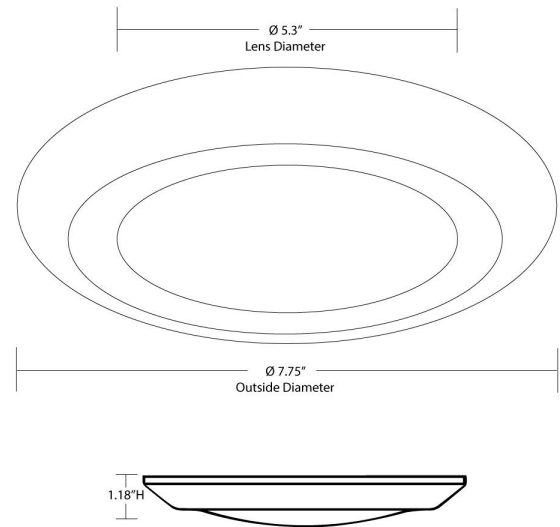
AX990

8" LED Disk Light



Specification Features

UL or ETL Listing	Wet Location
Material	
Light Source	Integrated LED
Voltage	120V
Warranty	5 year normal operation
Dimmable	0-10V
Dimensions	1.18"H x 7.75"W



Part	Wattage	Lumens	Kelvin	CRI	Dimensions
AX990-15W	15w	1,050lm	30K, 40K	80	1.18"H x 7.75"W
AX990-18W	18w	1,200lm	30K, 40K	80	1.18"H x 7.75"W

Ordering Example:

AX990-15W-30K-WH

Prefix	Wattage	Kelvin/CCT	Finish
AX990	15W = 15 watt integrated LED 18W = 18 watt integrated LED	30K = 3000°K 40K = 4000°K	WH = White



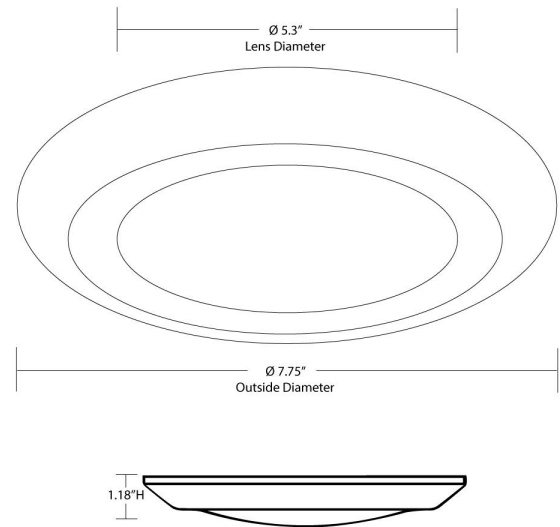
AX990

6" LED Disk Light



Specification Features

UL or ETL Listing	Wet Location
Material	
Light Source	Integrated LED
Voltage	120V
Warranty	5 year normal operation
Dimmable	0-10V
Dimensions	1.18"H x 7.75"W



Part	Wattage	Lumens	Kelvin	CRI	Dimensions
AX990-15W	15w	1,050lm	30K, 40K	80	1.18"H x 7.75"W
AX990-18W	18w	1,200lm	30K, 40K	80	1.18"H x 7.75"W

Ordering Example:

AX990-15W-30K-WH

Prefix	Wattage	Kelvin/CCT	Finish
AX990	15W = 15 watt integrated LED 18W = 18 watt integrated LED	30K = 3000°K 40K = 4000°K	WH = White



AX10606

LED 6" Ultra-Thin Round Disk Light



Specification Features

UL/ETL Listing	Wet Location
Construction	Plastic
Lens/Diffuser	White Plastic
Light Source	12 Watt Integrated LED
Lumens	800lm
CRI	80
Dimmable	Yes
Voltage	120v
Warranty	5 year normal operation
Dimensions	7.1"W x 0.55"H

Ordering Example: AX10606-12W-40K-WH

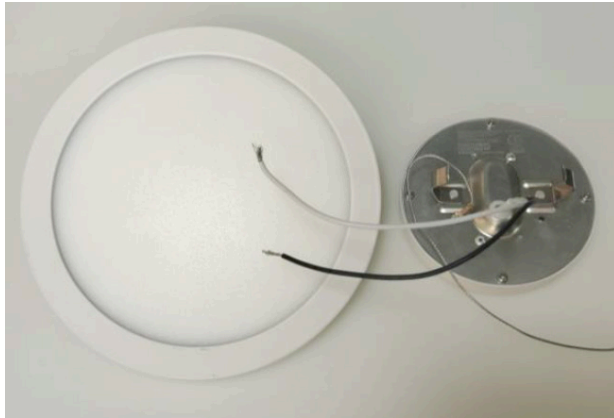


Prefix	Wattage	Color Temp.	Finish
AX10606	12W = 12 watt Integrated LED	40K = 4000° Kelvin	WH = White

AX13604-12W-30K-WH



Disk Light



Specification Features

UL/ETL Listing	Damp Location
Construction	Plastic
Finish	White
Lens/Diffuser	White Plastic
Light Source	12W Intergrated LED
Lumens	840lm
CRI	80
Voltage	120V
Dimmable	Triac
Warranty	3 Years Normal Operation
Dimensions	4.72"D x 1.43"H
Features	Quick Installation plate for J-Box (J- Box Not included)

Ordering Example: AX13604-12W-30K-WH



Prefix	Wattage	Color Temp.	Finish
AX13604	12W = 12W Intergrated LED	CCT Selectable = (30K, 40K, 50K)	WH = White

AXEM506

6" Disk w/ Emergency Back-Up

Replaces 6" Recessed Can Light - Retrofit Kit Available

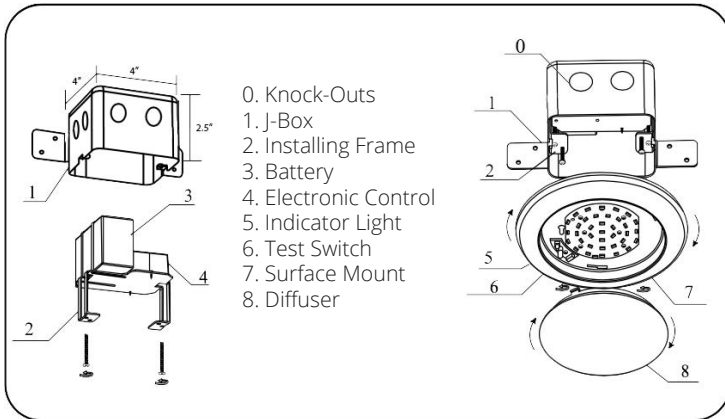


Applications

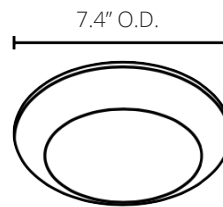
LED flush mounts add class to any decor. Low profile design ideally suited for showers, lobbies, corridors, conference rooms, common spaces, kitchenettes, and interiors in commercial, hospitality, retail, and residential environments.

Specification Features

UL or ETL Listing	Wet Locations
Certifications	Title 24, JA8 Certified DLC Certified
Dimensions	1.2" Height x 7.4" Outside Diameter
Housing	Stamped Steel
Lens/Diffuser	UV Rated Polycarbonate
Voltage	AC 110-120v - Driverless
Wattage	15w (EM: 6w)
Lumens	1,095lm (EM: 400lm)
CRI	81
Kelvin	30K, 40K
Emergency Mode	Up to 90 Minutes
Flicker	(T24, JA8) Flicker Free
Dimmable	(T24, JA8) 0-10v
Operating Temp.	(-20° to -40° C) (25° C Nominal)
Surge Protection	1 kv
Warranty	5 year normal operation
Mounting	Requires included battery rough-in housing (DCEM508-BATT).



AXEM506-BATT	Shipped at Rough-In
AXEM506-TRIM	Shipped at Trim Out



**Trim does not fit in all J-Boxes
Will not fit in pancake J-Boxes.**

Ordering Example:

AXEM506-15W-30K-BN



Prefix	Wattage	Kelvin/CCT	Finish	Options
AXEM506	15W = 15 Watts	30K = 3000°K 40K = 4000°K	BN = Brushed Nickel ORB = Oil Rubbed Bronze WH = White	

AXEM508

8" Disk w/ Emergency Back-Up

Replaces 8" Recessed Can Light - Retrofit Kit Available

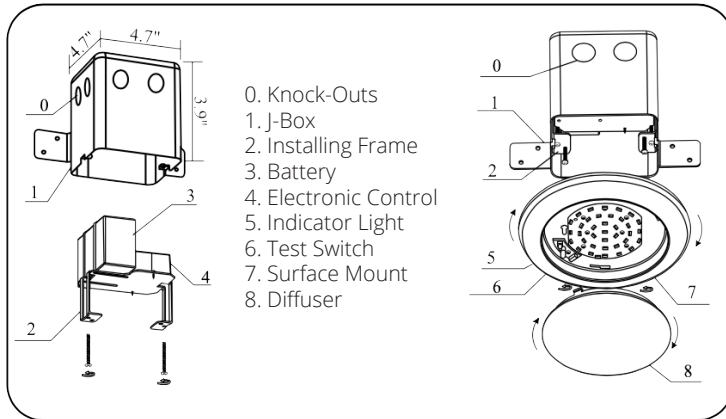


Applications

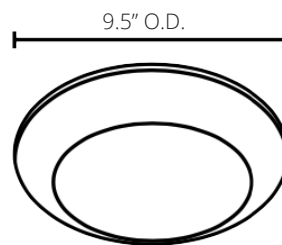
LED flush mounts add class to any decor. Low profile design ideally suited for showers, lobbies, corridors, conference rooms, common spaces, kitchenettes, and interiors in commercial, hospitality, retail, and residential environments.

Specification Features

UL or ETL Listing	Wet Locations
Certifications	Title 24, JA8 Certified DLC Certified
Dimensions	1.2" Height x 9.5" Outside Diameter
Housing	Stamped Steel
Lens/Diffuser	UV Rated Polycarbonate
Voltage	AC 110-120v - Driverless
Wattage	30w (EM: 12w)
Lumens	2,200lm (EM: 880lm)
CRI	81
Kelvin	30K, 40K
Emergency Mode	Up to 90 Minutes
Flicker	(T24, JA8) Flicker Free
Dimmable	(T24, JA8) 0-10v
Operating Temp.	(-20° to -40° C) (25° C Nominal)
Surge Protection	1 kv
Warranty	5 year normal operation
Mounting	Requires included battery rough-in housing (DCEM508-BATT).



AXEM508-BATT	Shipped at Rough-In
AXEM508-TRIM	Shipped at Trim Out



**Trim does not fit in all J-Boxes
Will not fit in pancake J-Boxes.**

Ordering Example:

AXEM508-30W-30K-BN

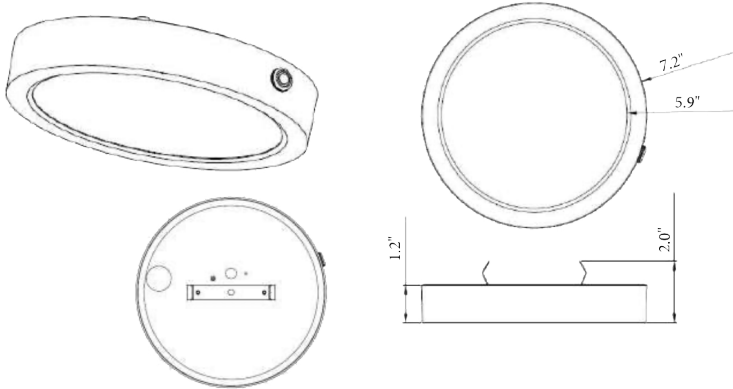
Prefix	Wattage	Kelvin/CCT	Finish	Options
AXEM508	30W = 30 Watts	30K = 3000°K 40K = 4000°K	BN = Brushed Nickel ORB = Oil Rubbed Bronze WH = White	



AXEM626

6" Disk w/ Emergency Back-Up

Replaces 6" Recessed Can Light - Retrofit Kit Available



Applications

LED flush mounts add class to any decor. Low profile design ideally suited for showers, lobbies, corridors, conference rooms, common spaces, kitchenettes, and interiors in commercial, hospitality, retail, and residential environments.

Specification Features

UL or ETL Listing	Wet Locations
Certifications	Title 24, JA8 Certified DLC Certified
Dimensions	1.2" Height x 7.2" Outside Diameter
Housing	Stamped Steel
Lens/Diffuser	UV Rated Polycarbonate
Voltage	AC 110-120v - Driverless
Wattage	15w (EM: 6w)
Lumens	1,050lm (EM: 400lm)
CRI	80
Kelvin	30K, 40K
Emergency Mode	Up to 90 Minutes
Flicker	(T24, JA8) Flicker Free
Dimmable	(T24, JA8) 0-10v
Operating Temp.	(-20° to -40° C) (25° C Nominal)
Surge Protection	1 kv
Warranty	5 year normal operation
Mounting	Ceiling, includes all necessary hardware. Mounts to most 4" x 4" J boxes. Suitable for installation within closets and/or storage spaces per NEC code 410.16.

AX888 - Retro it Kit

Retrofit Kit includes:

- LED Disk Light (1)
- Mounting Bracket (1)
- Springs Mounting Clip (2)
- Quick Connector (1)
- Mounting Screws (2)
- E26 Lamp Holder Adapter (1)
- Wire Nuts (3)
- Power Connector (1)
- Gasket (1)
- Instructions Sheet (1)



Whether you're installing as a retrofit or a surface mount luminaire, everything you need is included in the box.

Ordering Example:

AXEM626-15W-30K-WH



Prefix	Wattage	Kelvin/CCT	Finish	Options
AXEM626	15W = 15 Watts	30K = 3000° K 40K = 4000° K	BN = Brushed Nickel ORB = Oil Rubbed Bronze WH = White	AX888 = Retrofit Kit

AXEM628

8" Disk w/ Emergency Back-Up

Replaces 6" Recessed Can Light - Retrofit Kit Available



Applications

LED flush mounts add class to any decor. Low profile design ideally suited for showers, lobbies, corridors, conference rooms, common spaces, kitchenettes, and interiors in commercial, hospitality, retail, and residential environments.

Specification Features

UL or ETL Listing	Wet Locations
Certifications	Title 24, JA8 Certified DLC Certified
Dimensions	1.2" Height x 8.5" Outside Diameter
Housing	Stamped Steel
Lens/Diffuser	UV Rated Polycarbonate
Voltage	AC 110-120v - Driverless
Wattage	20w (EM: 8w)
Lumens	1,400lm (EM: 560lm)
CRI	80
Kelvin	30K, 40K
Emergency Mode	Up to 90 Minutes
Flicker	(T24, JA8) Flicker Free
Dimmable	(T24, JA8) 0-10v
Operating Temp.	(-20° to -40° C) (25° C Nominal)
Surge Protection	1 kv
Warranty	5 year normal operation
Mounting	Ceiling, includes all necessary hardware. Mounts to most 4" x 4" J boxes. Suitable for installation within closets and/or storage spaces per NEC code 410.16.

AZ888 - Retro it Kit

Retrofit Kit includes:

- LED Disk Light (1)
- Mounting Bracket (1)
- Springs Mounting Clip (2)
- Quick Connector (1)
- Mounting Screws (2)
- E26 Lamp Holder Adapter (1)
- Wire Nuts (3)
- Power Connector (1)
- Gasket (1)
- Instructions Sheet (1)



Whether you're installing as a retrofit or a surface mount luminaire, everything you need is included in the box.

Ordering Example:

AXEM628-20W-30K-WH



Prefix	Wattage	Kelvin/CCT	Finish	Options
AXEM628	20W = 20 Watts	30K = 3000° K 40K = 4000° K	BN = Brushed Nickel ORB = Oil Rubbed Bronze WH = White	AZ888 = Retrofit Kit

AXTD101

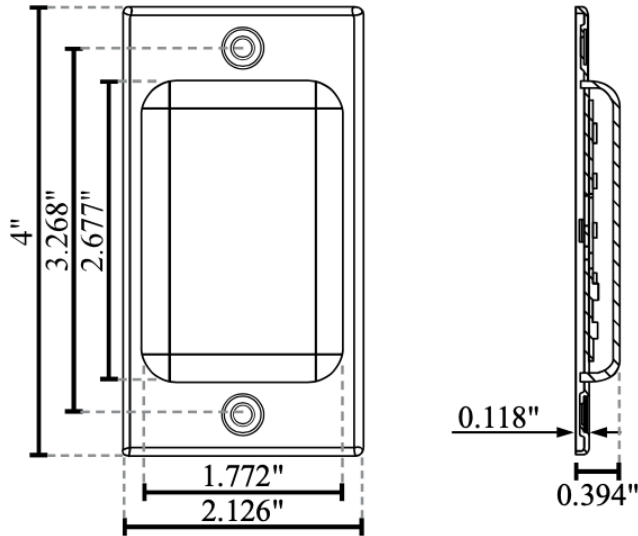
Temporary Vertical Disk, Jobsite Lighting



Standard Single-Gauge J-Box



Unlike permanent lighting, temporary lighting is installed on a job-site while working to ensure maximum illumination while working. The ability to keep the temporary fixture installed until after sheet rock is installed ensures maximum utility.



Applications

Our solution to an ongoing hassle. Install over the J-Box and it doesn't have to be removed until you are ready to install a permanent light fixture. The *Patent Pending* design does not impede sheet rock and has no dangling wire or low hanging fixtures to get in the way of other trades. 2 screws and quick connects make installation a breeze!

Specification Features

UL or ETL Listing	Damp Locations
Certifications	ETL
Dimensions	.4" Height x 2.126" Width x .394" Depth
Housing	Stamped Steel
Lens/Diffuser	UV Rated Polycarbonate
Voltage	AC 120v
Wattage	10.5w
Lumens	1,050lm
CRI	90
Kelvin	40K (30K available by special order)
Dimmable	10% on most dimmers
Operating Temp.	(-20° to -40° C) (25° C Nominal)
Warranty	5 year normal operation
Mounting	Mounts to most 4" J boxes

Features:

- Quick & Easy Mounting
- Temporary Light Source
- 11 watts & 750 Lumens
- ETL Damp Location
- 25,000 Hr. Rated
- Doesn't impede sheet rock installation



CONFORMS to STD. 1598
 CERTIFIED to CSA STD C22.2 No. 250.0
 Model No: DCTD404-10.5W-40K-WH
 Rating: 120VAC 60Hz 10.5W
 Made in China "ABI" LED2113
 Customer Services 469-640-2688

Ordering Example:

AXTD101-11W-30K-WH

Prefix	Wattage	Kelvin/CCT	Finish	Options
AXTD101	11W = 11 Watts	30K = 3000° K* 40K = 4000° K (30K by special order only)	WH = White	



AXTD404

Temporary Round Disk, Jobsite Lighting



Unlike permanent lighting, temporary lighting is installed on a job-site while working to ensure maximum illumination while working. The ability to keep the temporary fixture installed until after sheet rock is installed ensures maximum utility.

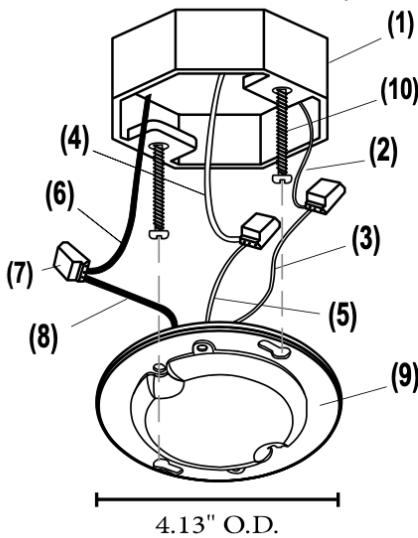
Applications

Our solution to an ongoing hassle. Install over the J-Box and it doesn't have to be removed until you are ready to install a permanent light fixture. The *Patent Pending* design does not impede sheet rock and has no dangling wire or low hanging fixtures to get in the way of other trades. 2 screws and quick connects make installation a breeze!

Specification Features

UL or ETL Listing	Damp Locations
Certifications	ETL
Dimensions	.59" Height x 4.13" Outside Diameter
Housing	Stamped Steel
Lens/Diffuser	UV Rated Polycarbonate
Voltage	AC 120v
Wattage	10.5w
Lumens	950lm
CRI	90
Kelvin	40K (30K available by special order)
Dimmable	10% on most dimmers
Operating Temp.	(-20° to -40° C) (25° C Nominal)
Warranty	5 year normal operation
Mounting	Mounts to most 4" J boxes

Temp Disk Assembly Instructions:



1. Junction Box
2. House Ground Wire
3. Fixture Ground Wire
4. White Supply Wire
5. White Fixture Wire
6. Black Supply Wire
7. Wire Connector
8. Black Fixture Wire
9. Fixture Body
10. Mounting Screw

Features:

- Quick & Easy Mounting
- Temporary Light Source
- 10.5 watts & 950 Lumens
- ETL Damp Location
- 25,000 Hr. Rated
- Doesn't impede sheet rock installation



CONFORMS to STD. 1598
 CERTIFIED to CSA STD C22.2 No. 250.0
 Model No: DCTD404-10.5W-40K-WH
 Rating: 120VAC 60Hz 10.5W
 Made in China "ABI" LED2113
 Customer Services 469-640-2688

Ordering Example:

AXTD404-10.5W-120V-30K-WH

Prefix	Wattage	Kelvin/CCT	Finish	Options
AXTD404	10.5W = 10.5 Watts	30K = 3000° K* 40K = 4000° K (30K by special order only)	WH = White	

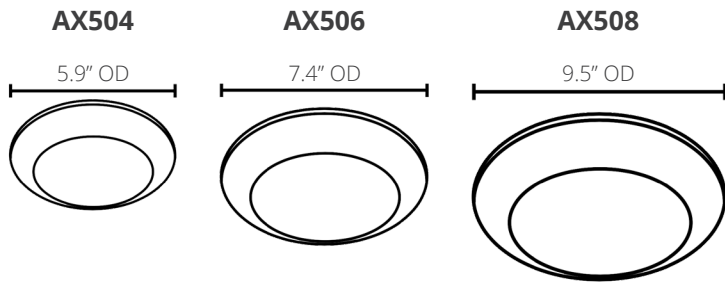


LED Disk Lights

4", 6", and 8" LED Disk Lights



AX504, AX506, AX508



Easy & cost effective solutions to replacing recessed can lights!

AX888 - Retro it Kit

Retrofit Kit includes:

- LED Disk Light (1)
- Mounting Bracket (1)
- Springs Mounting Clip (2)
- Quick Connector (1)
- Mounting Screws (2)
- E26 Lamp Holder Adapter (1)
- Wire Nuts (3)
- Power Connector (1)
- Gasket (1)
- Instructions Sheet (1)



Whether you're installing as a retrofit or a surface mount luminaire, everything you need is included in the box.



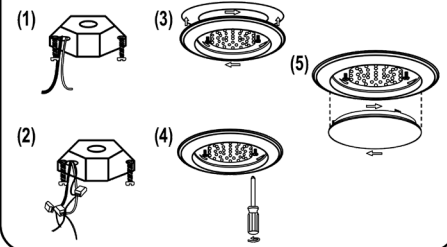
Applications

LED flush mounts add class to any decor. Low profile design ideally suited for showers, lobbies, corridors, conference rooms, common spaces, kitchenettes, and interiors in commercial, hospitality, retail, and residential environments.

Specification Features

UL or ETL Listing	Wet Locations
Certifications	ETL
Housing	Stamped Steel
Lens/Diffuser	Opal Acrylic - Twist On/Off
Voltage	AC 110-120v / Driverless Model
Wattage	8w, 10w, 15w, 16w, 30w, 32w
Lumens	570, 800, 1050, 2200
CRI	90
Kelvin	30K, 40K
Operating Temp.	(-20° to -40° C) (25° C Nominal)
Surge Protection	1 kv
Warranty	5 year normal operation
Mounting	Ceiling, includes all necessary hardware. Mounts to most 4" x 4" J boxes. Suitable for installation within closets and/or storage spaces per NEC code 410.16.

Mounting and Assembly Instructions:



Part	Available Finishes	Kelvin/CCT	Voltage	Dimensions	Lumens	CRI	Dimmable	Special Functions
AX504-8W	BN • ORB • WH	CCT Selectable (30K/40K)	AC 120V	5.9" OD x 1.2" H	570	90	Yes (0-10V)	Surface, Wet, Retrofit
AX506-10W	BN • ORB • WH	CCT Selectable (30K/40K)	AC 120V	7.4" OD x 1.2" H	800	90	Yes (0-10V)	Surface, Wet, Retrofit
AX506-15W	BN • ORB • WH	CCT Selectable (30K/40K)	AC 120V	7.4" OD x 1.2" H	1,050	90	Yes (0-10V)	Surface, Wet, Retrofit
AX508-30W	BN • ORB • WH	CCT Selectable (30K/40K)	AC 120V	9.5" OD x 1.2" H	2,200	90	Yes (0-10V)	Surface, Wet, Retrofit
AX506-16W	BN • ORB • WH	30K • 40K	DC 277V	7.4" OD x 1.2" H	1,000	90	No	Surface, 277V ONLY
AX508-32W	BN • ORB • WH	30K • 40K	DC 277V	9.5" OD x 1.2" H	1,900	90	No	Surface, 277V ONLY
AXEM506	BN • ORB • WH	30K • 40K	AC 120V	7.4" OD x 1.2" H	1,095	81	No	Emergency Battery Back-up
AXEM508	BN • ORB • WH	30K • 40K	AC 120V	9.5" OD x 1.2" H	2,200	81	No	Emergency Battery Back-up

Low Profile Round

LED Disk Lights

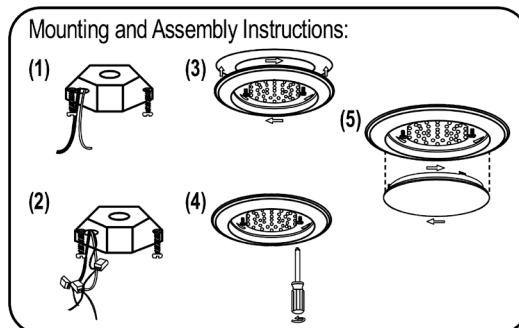
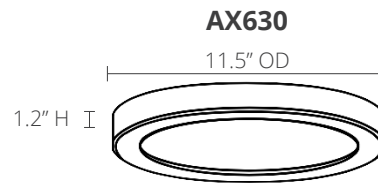
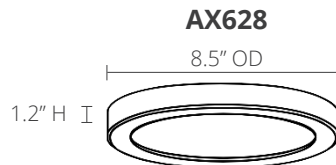


Applications

LED flush mounts add class to any decor. Low profile design ideally suited for showers, lobbies, corridors, conference rooms, common spaces, kitchenettes, and interiors in commercial, hospitality, retail, and residential environments.

Specification Features

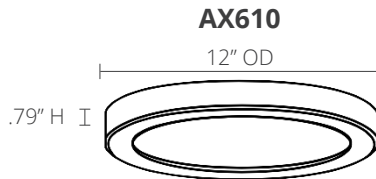
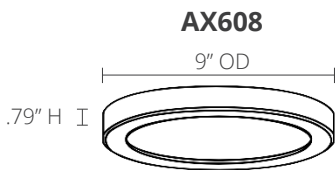
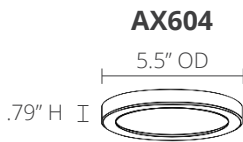
UL or ETL Listing	Wet Locations
Certifications	ETL
Housing	Stamped Steel
Lens/Diffuser	Flat Glass Lens
Voltage	AC 110-120v / Driverless Model
Wattage	15w, 20w, 25w
Lumens	1,050, 1,400, 1,750
CRI	80
Kelvin	30K, 40K
Operating Temp.	(-20° to -40°C) (25°C Nominal)
Surge Protection	1 kv
Warranty	5 year normal operation
Mounting	Ceiling, includes all necessary hardware. Mounts to most 4" x 4" J boxes. Suitable for installation within closets and/or storage spaces per NEC code 410.16.
Dimmer	



Part	Available Finishes	Voltage	Wattage	Kelvin/ CCT	Dimensions	Lumens	CRI	Dimmable	Special Functions
AX626	BN • ORB • WH	AC 120V	15W	30K • 40K	7.2" OD x 1.2" H	1,050	90	Yes (0-10V)	Surface, Wet
AX628	BN • ORB • WH	AC 120V	20W	30K • 40K	8.5" OD x 1.2" H	1,400	90	Yes (0-10V)	Surface, Wet
AX630	BN • ORB • WH	AC 120V	25W	30K • 40K	11.5" OD x 1.2" H	1,750	90	Yes (0-10V)	Surface, Wet

Ultra-Thin Round

LED Disk Lights

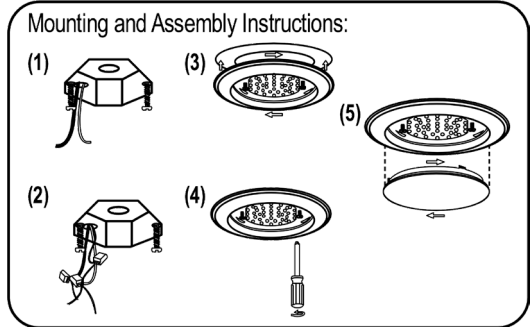


Applications

LED flush mounts add class to any decor. Low profile design ideally suited for showers, lobbies, corridors, conference rooms, common spaces, kitchenettes, and interiors in commercial, hospitality, retail, and residential environments.

Specification Features

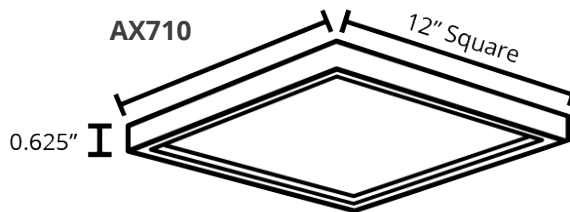
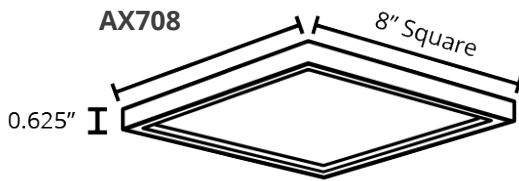
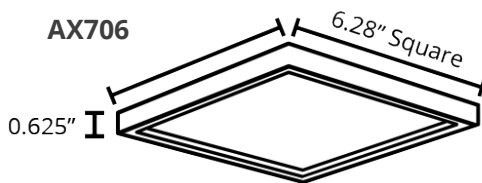
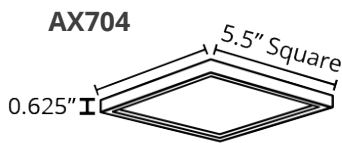
UL or ETL Listing	Wet Locations
Certifications	ETL
Housing	Stamped Steel
Lens/Diffuser	Flat Glass Lens
Voltage	AC 110-120v / Driverless Model
Wattage	10w, 15w, 18w, 25w
Lumens	570, 800, 1050, 2200
CRI	90
Kelvin	30K, 40K
Operating Temp.	(-20° to -40° C) (25° C Nominal)
Surge Protection	1 kv
Warranty	5 year normal operation
Mounting	Ceiling, includes all necessary hardware. Mounts to most 4" x 4" J boxes. Suitable for installation within closets and/or storage spaces per NEC code 410.16.
Dimmer	



Part	Available Finishes	Voltage	Wattage	Kelvin/CCT	Dimensions	Lumens	CRI	Dimmable	Special Functions
AX604	BN • ORB • WH	AC 120V	10W	30K • 40K	5.5" OD x .79" H	600	90	Yes (0-10V)	Surface, Wet
AX606	BN • ORB • WH	AC 120V	15W	30K • 40K	7" OD x .79" H	1,050	90	Yes (0-10V)	Surface, Wet
AX608-15W	BN • ORB • WH	AC 120V	15W	30K • 40K	9" OD x .79" H	1,050	90	Yes (0-10V)	Surface, Wet
AX608-18W	BN • ORB • WH	AC 120V	18W	30K • 40K	9" OD x .79" H	1,600	90	Yes (0-10V)	Surface, Wet
AX610	BN • ORB • WH	AC 120V	25W	30K • 40K	12" OD x .79" H	2,200	90	Yes (0-10V)	Surface, Wet

Ultra-Thin Square

LED Square Disk Lights

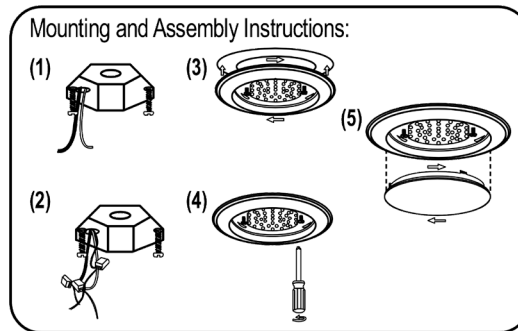


Applications

LED flush mounts add class to any decor. Low profile design ideally suited for showers, lobbies, corridors, conference rooms, common spaces, kitchenettes, and interiors in commercial, hospitality, retail, and residential environments.

Specification Features

UL or ETL Listing	Wet Locations
Certifications	ETL
Housing	Stamped Steel
Lens/Diffuser	Flat Glass Lens
Voltage	AC 110-120v / Driverless Model
Wattage	8w, 15w, 18w, 23w
Lumens	660, 1,000, 1,850
CRI	90
Kelvin	30K, 40K
Operating Temp.	(-20° to -40° C) (25° C Nominal)
Surge Protection	1 kv
Warranty	5 year normal operation
Mounting	Ceiling, includes all necessary hardware. Mounts to most 4" x 4" J boxes. Suitable for installation within closets and/or storage spaces per NEC code 410.16.



Part	Available Finishes	Voltage	Wattage	Kelvin/ CCT	Dimensions	Lumens	CRI	Dimmable	Special Functions
AX704	BN • ORB • WH	AC 120V	8W	30K • 40K	5.5" OD x .625" H	660	90	Yes (0-10V)	Surface, Wet
AX706	BN • ORB • WH	AC 120V	15W	30K • 40K	6.28" OD x .625" H	1,000	90	Yes (0-10V)	Surface, Wet
AX708	BN • ORB • WH	AC 120V	18W	30K • 40K	8" OD x .625" H	1,200	90	Yes (0-10V)	Surface, Wet
AX710	BN • ORB • WH	AC 120V	23W	30K • 40K	12" OD x .625" H	1,850	90	Yes (0-10V)	Surface, Wet