

LED Exit & Emergency



Thermoplastic LED Exit Sign



Specification Features

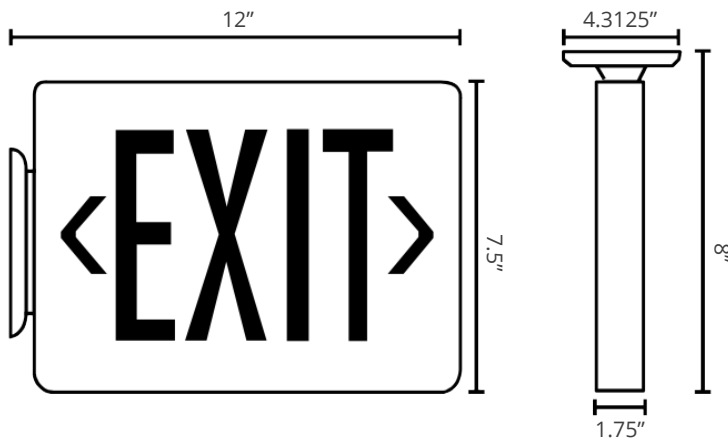
Voltage	Dual 120/277
Charge Rate / Power	"ON" LED indicator light and push-to-test switch for mandated code compliance.
Battery	4.8v maintenance free, rechargeable NiCd battery (EM Standard)
Input Wattage	1.9W
Transfer Switch	Internal solid state. Automatically connects the internal battery to LED board and lamp heads for minimum 90min. emergency illumination.
Charger	Fully automatic, solid state, two rate charger initiates battery charging to recharge a discharged battery in 24 hrs.
Mounting	EZ-snap mounting canopy included for top or end mount. Universal knock-out pattern on backplate for wall mount.
Housing	EZ-snap chevron directional indicators. Compact, low-profile design.
Construction	Injection molded, engineering grade, 5VA flame retardant, high impact resistant thermoplastic

Options

SDT	Self diagnosis feature performs monthly, biannual, and annual tests to ensure reliable operation and meet electrical and life safety codes.
2C	Dual circuit option on the AC-only unit enables it to be connected to two different (one acting as a back-up to the other) supplies at the same time.
USA	Substantial transformation assembly in the US. Complies with "Assembled in the USA" under the "Buy American Act".
cUL	Units tested to meet requirements of CAN/USA-c22.2 No. 141-02 standard for unit equipment.

Warranty

Five year warranty on all electronics and housing.
Battery pro-rated for five years.
Meets UL924, NFPA 101 Life Safety Code, NEC, OSHA, Local and State Codes.
UL listed for Damp Locations (0° C - 50° C)
Certified to CEC under Title 20 regulations.



Ordering Example:

AXE1001-2-R-WH-SDT



Prefix	# of Faces	Letter Color	Housing Color	Battery	Options
AXE1001	2 = Universal Single/ Double Face	R = Red G = Green	WH = White BK = Black	Blank = Battery Back-up AC = AC Only	SDT = Self-Diagnostics (EM units only) 2C = Dual Circuit Operation (AC units only) USA = Assembled in USA cUL = cUL Listed

LED Exit & Emergency

Thermoplastic LED Exit/Emergency Combo



Specification Features

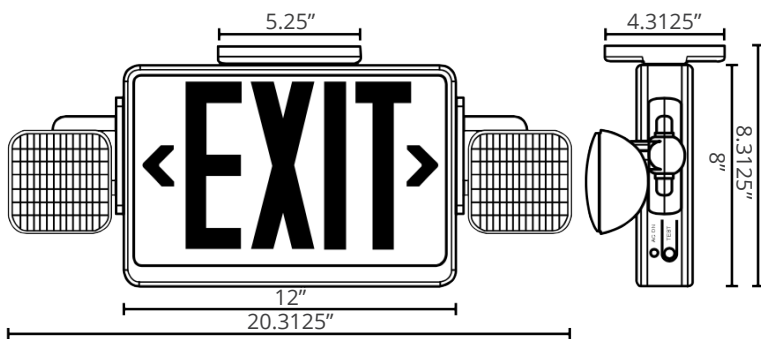
Voltage	Dual 120/277
Charge Rate / Power	"ON" LED indicator light and push-to-test switch for mandated code compliance.
Battery	9.6v maintenance free, rechargeable NiCd battery. (EM Standard)
Transfer Switch	Internal solid state. Automatically connects the internal battery to LED board and lamp heads for minimum 90min. emergency illumination.
Charger	Fully automatic, solid state, two rate charger initiates battery charging to recharge a discharged battery in 24 hrs.
Mounting	EZ-snap mounting canopy included for top or end mount. Universal knock-out pattern on backplate for wall mount.
Housing	EZ-snap chevron directional indicators. Compact, low-profile design.
Construction	Injection molded, engineering grade, 5VA flame retardant, high impact resistant thermoplastic

Options

SDT	Self diagnosis feature performs monthly, biannual, and annual tests to ensure reliable operation and meet electrical and life safety codes.
HL	12-LED heads provide increased center-to-center spacing (1.5w per head).
NH	No lamp head attached to the unit enabling it to be used as a remote capable exit sign.
RC	Remote capacity of up to 3.0 watts.

Warranty

Five year warranty on all electronics and housing.
Battery pro-rated for five years.
Meets UL924, NFPA 101 Life Safety Code, NEC, OSHA, Local and State Codes.
UL listed for Damp Locations (0° C - 40° C)
Certified to CEC under Title 20 regulations.



Ordering Example:

AXE1003-2-R-WH-AC-SDT



Prefix	# of Faces	Letter Color	Housing Color	Battery	Options
AXE1003	2 = Universal Single/ Double Face	R = Red G = Green	WH = White BK = Black	Blank = Battery Back-up AC = AC Only	SDT = Self-Diagnostics (EM units only) RC = Remote Capacity HL = High Lumen NH = No Lamp Heads

LED Exit & Emergency

Thermoplastic LED Emergency Unit



Specification Features

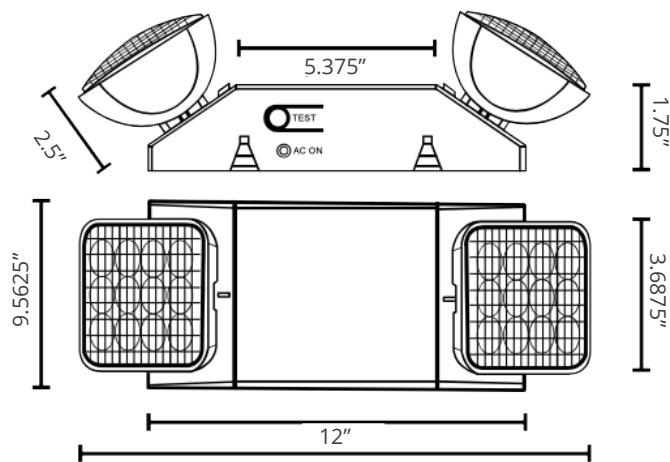
Voltage	Dual 120/277 Optional multi-tap 208/220/240 voltage available.
Charge Rate / Power	"ON" LED indicator light and push-to-test switch for mandated code compliance.
Battery	6v maintenance free, rechargeable NiCd battery.
Transfer Switch	Internal solid state. Automatically connects the internal battery to LED board and lamp heads for minimum 90min. emergency illumination.
Charger	Fully automatic, solid state, two rate charger initiates battery charging to recharge a discharged battery in 24 hrs.
Mounting	Surface mount via easy connect backplate, which fits most standard J boxes and snaps into place making internal electrical connections. Top and side knock-outs available for conduit application. Suitable for wall mount.
Construction	Injection molded, engineering grade, 5VA flame retardant, high impact resistant thermoplastic.

Options

SDT	Self diagnosis feature performs monthly, biannual, and annual tests to ensure reliable operation and meet electrical and life safety codes.
HL	12-LED heads provide increased center-to-center spacing (1.5w per head).
SPV	Tested 120/347v to meet requirements of CSA C22.2 No. 141.10 standard for emergency lighting equipment.
CEC	Certified to CEC under Title 20 Regulations.
CSA	Units tested to meet requirements of CAN/USA-c22.2 No. 141-02 standard for unit equipment.

Warranty

Five year warranty on all electronics and housing.
Battery pro-rated for five years.
Meets UL924, NFPA 101 Life Safety Code, NEC, OSHA, Local and State Codes.
UL listed for Damp Locations (0° C - 50° C)



Ordering Example:

AXE3004-WH-SDT



Prefix	Housing Color	Options	
AXE3004	WH = White BK = Black	SDT = Self-Diagnostics (EM units only) SPV = 208/220/240 Volt, 50/60 Hz HL = High Lumen CSA = 120/347V, 60Hz input	CEC = Title 20 compliant

LED Exit & Emergency

Thermoplastic LED Emergency Unit

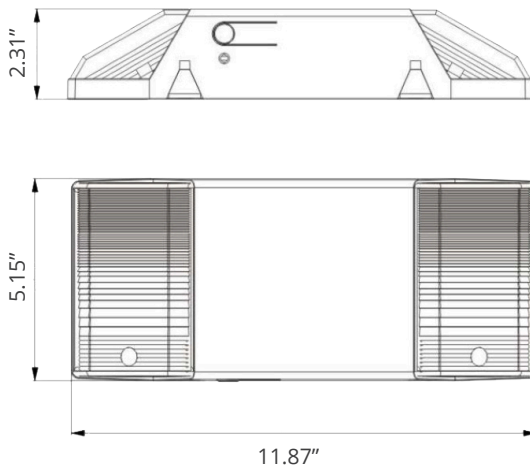


Specification Features

Voltage	Dual 120/277
Charge	LVD (Low Voltage Disconnect) prevents battery from deep discharge
Battery	3.6v 1000mAh maintenance free, rechargeable NiCd battery.
Transfer Switch	Internal solid state. Automatically connects the internal battery to LED board and lamp heads for minimum 90min. emergency illumination.
Charger	Fully automatic, solid state, two rate charger initiates battery charging to recharge a discharged battery in 24 hrs.
Mounting	Universal knock-out pattern on backplate for wall mount. Snaps into place, making internal electrical connections. Threaded opening at the top of the enclosure for conduit mount.
Construction	Injection molded, engineering grade, 5VA flame retardant, high impact resistant thermoplastic

Warranty

Five year warranty on all electronics and housing.
Battery pro-rated for two years.
Meets UL924, NFPA 101 Life Safety Code, NEC, OSHA, Local and State Codes.
UL listed for Damp Locations (0° C - 50° C)
Certified to CEC under Title 20 regulations.



Ordering Example:

AXE3005-WH



Prefix	Housing Color	Options
AXE3005	WH = White BK = Black	

DCE3015

LED Emergency Light



Specification Features

UL/ETL Rating	Wet Location
Light Source	2x 1W Integrated LED
Construction	Thermoplastic ABS
Finish	White, Black
Lens/Diffuser	None
Lumens	200lm
Voltage	120v-277v
Battery	Ni-MH 3.6V
EM Operation	90 Minutes
Mounting	Wall
Dimensions	9.29"W x 4.33"H x 1.67"Ext.

Ordering Example:

AXE3015-WH-RC

Prefix	Finish	Options		
AXE3015	WH = White BK = Black	RC = Remote Capacity		



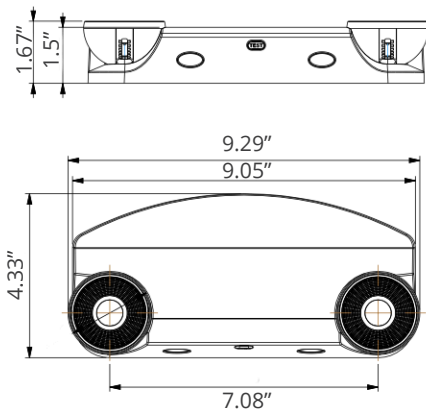
LED Exit & Emergency

Thermoplastic LED Emergency Unit



Specification Features

Voltage	Dual 120/277
Charge Rate / Power	"ON" LED indicator light and push-to-test switch for mandated code compliance.
Battery	3.6v long-life, maintenance free, rechargeable Ni-MH battery.
Transfer Switch	Internal solid state. Automatically connects the internal battery to LED board and lamp heads for minimum 90min. emergency illumination.
Charger	Fully automatic, solid state, two rate charger initiates battery charging to recharge a discharged battery in 24 hrs.
Mounting	Universal J-Box mounting pattern.



Warranty

Five year warranty on all electronics and housing.
Battery pro-rated for three years.
Meets UL94V flame rating. RoHS compliant.
UL listed for Damp Locations (0 °C to 40 °C)

Ordering Example:

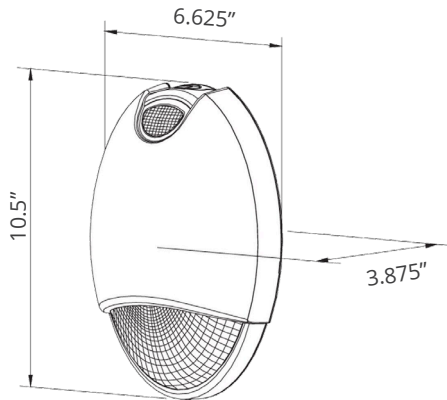
AXE3051-WH-RC



Prefix	Housing Color	Options
AXE3051	BK = Black WH = White	RC = Remote Capable

LED Exit & Emergency

LED Decorative Outdoor AC/ Emergency Unit



Specification Features

Voltage	Dual 120/277
Charge Rate / Power	"ON" LED indicator light and push-to-test switch for mandated code compliance.
Battery	4.8v long-life, maintenance free, rechargeable NiCd battery.
Transfer Switch	Internal solid state. Automatically connects the internal battery to LED board and lamp heads for minimum 90min. emergency illumination.
Charger	Fully automatic, solid state, two rate charger initiates battery charging to recharge a discharged battery in 24 hrs.
Mounting	Universal knock-out pattern on backplate for wall mount. Threaded opening at top of enclosure for conduit mount.
Diagnostics	Self diagnosis feature performs monthly, biannual, and annual tests to ensure reliable operation and meet electrical and life safety codes.
Photocell	Included standard for use as dusk-to-dawn luminaire.
Wiring	Field selectable wiring allows for AC operation of unit to be controlled using a wall switch, photocell, or other mechanism.

Warranty

Five year warranty on all electronics and housing.

Battery pro-rated for five years.

Meets UL924, NFPA 101 Life Safety Code, NEC, OSHA, Local and State Codes.

UL listed for Wet Locations (0°C - 50°C)

Ordering Example:

AXEM900-DB-SDT-CW



Prefix	Housing Color	Standard Feature	Options
AXEM900	BK = Black DB = Bronze NI = Nickel WH = White	SDT = Self-Diagnostics PC = Photocell	CW = Cold Weather CEC = Title 20 compliant