

Bad Ass Fans



72" or 84" 6-Blade Industrial Fan with LED Light Kit

Applications

These fans deliver contemporary industrial styling along with comfort and excellent value. Modern looks accentuate the long lasting and reliable fixtures.

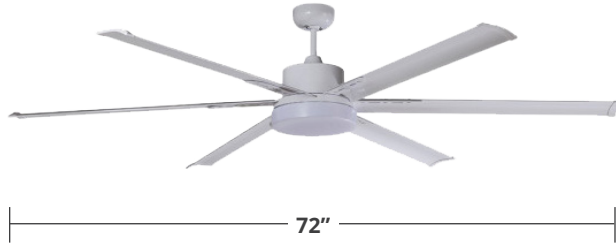
Specification Features

ETL	Damp location rated. Indoor/Outdoor Applications
Blade Sweep	(DCCF9650) 72", (DCCF9652) 84"
Blades	6 - Non Reversible - Aluminum
Lead Wire	54"
Motor Type	DC - 155 x 16mm motor
Voltage	120v
Blade Pitch	17°
Downrod Length	6"
Speeds	5 - Reversible Motor
Light Kit	Integrated LED - Frosted Glass
Control	Remote Control

Performance & Energy Information

Fan Speed	CFM	Watts	CFM/Watt
1	7,114	35.1	203
2	6,120	22.8	268
3	5,042	16.1	313
4	4,021	10.4	387
5	2,985	5.5	543

AXCF9650-72-WH-WH



AXCF9652-84-ORB-ORB



AXCF9652-84-BN-BN



Light Kit

Wattage	Kelvin	Lumens	CRI
15W	30K	920	80

Ordering Example:

AXCF9652-BN-BN-15W-30K-RC

Prefix	Finish	Blades	Light Kit	Kelvin/CCT	Options
AXCF9650	BN = Brushed Nickel	BN = Brushed Nickel	15W = 15 Watt integrated LED	30K - 3000° Kelvin	RC = Remote Control
AXCF9652	ORB = Oil Rubbed Bronze WH = White	ORB = Oil Rubbed Bronze WH = White			



Bad Ass Fans



72" or 84" 6-Blade Industrial Fan with LED Light Kit

Applications

These fans deliver contemporary industrial styling along with comfort and excellent value. Modern looks accentuate the long lasting and reliable fixtures.

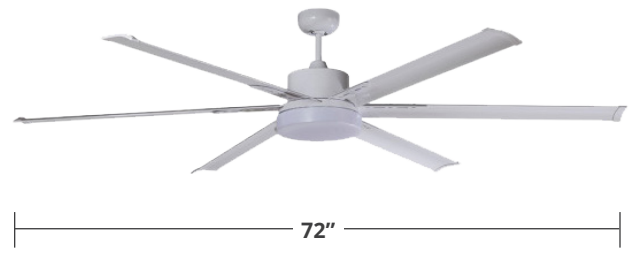
Specification Features

ETL	Damp location rated. Indoor/Outdoor Applications
Blade Sweep	(DCCF9650) 72", (DCCF9652) 84"
Blades	6 - Non Reversible - Aluminum
Lead Wire	54"
Motor Type	DC - 155 x 16mm motor
Voltage	120v
Blade Pitch	17°
Downrod Length	6"
Speeds	5 - Reversible Motor
Light Kit	Integrated LED - Frosted Glass
Control	Remote Control

Performance & Energy Information

Fan Speed	CFM	Watts	CFM/Watt
1	7,114	35.1	203
2	6,120	22.8	268
3	5,042	16.1	313
4	4,021	10.4	387
5	2,985	5.5	543

AXCF9650-72-WH-WH



AXCF9652-84-ORB-ORB



AXCF9652-84-BN-BN



Light Kit

Wattage	Kelvin	Lumens	CRI
15W	30K	920	80

Ordering Example:

AXCF9652-BN-BN-15W-30K-RC

Prefix	Finish	Blades	Light Kit	Kelvin/CCT	Options
AXCF9650	BN = Brushed Nickel	BN = Brushed Nickel	15W = 15 Watt integrated LED	30K - 3000° Kelvin	RC = Remote Control
AXCF9652	ORB = Oil Rubbed Bronze WH = White	ORB = Oil Rubbed Bronze WH = White			



Ceiling Fans

50" 3- Curved Blade Fan



AXCF800-BN-BN
Standard Blade Package
All Brushed Nickel Blades



AXCF800-BN-WAL
Standard Blade Package
All Walnut Blades



AXCF800-ORB-ORB
Standard Blade Package
All Oil Rubbed Bronze Blades

Applications

These fans deliver contemporary European styling along with comfort and excellent value. Unique design fans have an essence of class and destination.

Specification Features

ETL	Indoor Applications
Blade Sweep	50"
Blades	3 - Non Reversible - Plywood
Lead Wire	76"
Motor Type	AC - 153 x 15mm motor
Voltage	120v
Blade Pitch	12°
Downrod Length	4"
Speeds	3 - Reversible Motor
Light Kit	Satin White Glass Diffuser
Socket	2 x E26 10w LED Bulbs, 30K, 800lm (not included)
Control	Pull Chain

Performance & Energy Information

Fan Speed	CFM	Watts	CFM/Watt
High	5,313	54.6	97
Medium	3,363	25	134
Low	2,060	9.3	221

Light Kit

Wattage	Kelvin	Lumens	CRI
20w (2x 10W LED)	30K	1,600	80

Ordering Example:

AXCF800-BN-WAL-20W-30K-PC

Prefix	Finish	Blades	Light Kit	Kelvin/CCT	Options
AXCF800	BN = Brushed Nickel ORB = Oil Rubbed Bronze	BN = Brushed Nickel WAL = Walnut ORB = Oil Rubbed Bronze	20W = 2x 10W E26	30K = 3000° Kelvin	PC = Pull Chain



Intertek

Ceiling Fans

50" 3-Curved Blade Fan



AXCF800-BK-BK
Standard Blade Package
All Black Blades



AXCF800-WH-WH
Standard Blade Package
All White Blades

Applications

These fans deliver contemporary European styling along with comfort and excellent value. Unique design fans have an essence of class and destination.

Specification Features

ETL	Indoor Applications
Blade Sweep	50"
Blades	3 - Non Reversible - Plywood
Lead Wire	76"
Motor Type	AC - 153 x 15mm motor
Voltage	120v
Blade Pitch	12°
Downrod Length	4"
Speeds	3 - Reversible Motor
Light Kit	Satin White Glass Diffuser
Socket	2 x E26 10w LED Bulbs, 30K, 800lm (not included)
Control	Pull Chain

Performance & Energy Information

Fan Speed	CFM	Watts	CFM/Watt
High	5,313	54.6	97
Medium	3,363	25	134
Low	2,060	9.3	221

Light Kit

Wattage	Kelvin	Lumens	CRI
20w (2x 10W LED)	30K	1,600	80

Ordering Example:

AXCF800-BK-BK-20W-30K-PC

Prefix	Finish	Blades	Light Kit	Kelvin/CCT	Options
AXCF800	BK = Black WH = White	BK = Black WH = White	20W = 2x 10W E26	30K = 3000° Kelvin	PC = Pull Chain



Intertek

Ceiling Fans

52" 5-Blade Fan with Optional Light Kit



AXCF806-BN-DCH/MAH-LK9334BN

Standard Blade Package
Reversible Dark Cherry / Mahogany Blades



AXCF806-ORB-DCH/WAL-LK9334ORB

Standard Blade Package
Reversible Dark Cherry / Walnut Blades



AXCF806-WH-WH/WO-LK9334WH

Standard Blade Package
Reversible White / Washed Oak Blades

Applications

These fans deliver contemporary European styling along with comfort and excellent value. Unique design fans have an essence of class and destination.

Specification Features

ETL	Indoor Applications
Blade Sweep	52"
Blades	5 - Reversible - MDF
Lead Wire	54"
Motor Type	AC - 153 x 13mm motor
Voltage	120v
Blade Pitch	12°
Downrod Length	4"
Speeds	3 - Reversible Motor
Light Kit	Adaptable (Sold Separately)
Socket	2 x E26 10w LED Bulbs, 30K, 800lm (not included)
Control	Pull Chain

Performance & Energy Information

Fan Speed	CFM	Watts	CFM/Watt
High	5,419	65.1	83.3
Medium	3,454	32.3	107
Low	2,306	11.8	195

Additional Light Kit Options	pg. 31-35
Additional Fan Blade Options	pg. 37

Light Kit

Part	Wattage	Kelvin	Lumens	CRI
LK9334-20W-30K-PC	20w (2x 10W LED)	30K	1,600	80

Ordering Example:

AXCF806-WH-WO-LK9334-20W-30K-PC

Prefix	Finish	Blades	Light Kit	Kelvin/CCT	Options
AXCF806	BN = Brushed Nickel ORB = Oil Rubbed Bronze WH = White	DCH/WAL = Dark Cherry/Walnut WH/WO = White/Washed Oak DCH/MAH = Dark Cherry	Blank = None LK9334-20W = 2x 10W E26	30K = 3000° Kelvin	PC = Pull Chain



Intertek

Ceiling Fans

52" 3-Blade Fan with Optional Light Kit



AXCF808-BN-BN-LK9330-PC

Standard Blade Package
All Brushed Nickel Blades



AXCF808-BN-BK-LK9330-PC

Standard Blade Package
All Black Blades

Applications

These fans deliver contemporary European styling along with comfort and excellent value. Unique design fans have an essence of class and destination.

Specification Features

ETL	Indoor Applications
Blade Sweep	52"
Blades	3 - Non Reversible - MDF
Lead Wire	24"
Motor Type	AC - 153 x 15mm motor
Voltage	120v
Blade Pitch	14°
Downrod Length	4"
Speeds	3 - Reversible Motor
Light Kit	Adaptable (Sold Separately)
Socket	2 x E26 10w LED Bulbs, 30K, 800lm (not included)
Control	Pull Chain

Performance & Energy Information

Fan Speed	CFM	Watts	CFM/Watt
High	5,585	60.5	92.3
Medium	3,781	27	137
Low	2,751	10.5	262

Light Kit

Part	Wattage	Kelvin	Lumens	CRI
LK9330-20W-30K-PC	20w (2x 10W LED)	30K	1,600	80

Ordering Example:

AXCF808-BN-BK-LK9330-20W-30K-PC

Prefix	Finish	Blades	Light Kit	Kelvin/CCT	Options
AXCF808	BN = Brushed Nickel	BN = Brushed Nickel BK = Black	Blank = None LK9330-20W = 2x 10W E26	30K = 3000° Kelvin	PC = Pull Chain



Intertek

Ceiling Fans

52" 5-Blade Builder Fan with Optional Light Kit



AXCF816-ORB-DCH/WAL-DCLK9330ORB
Standard Blade Package
Reversible Dark Cherry / Walnut Blades



Can be hung as
flush mount or
with downrod

AXCF816-BN-BN-DCLK9330BN
Standard Blade Package
All Brushed Nickel Blades

Applications

These fans deliver contemporary European styling along with comfort and excellent value. Unique design fans have an essence of class and destination.

Specification Features

ETL	Indoor Applications
Blade Sweep	52"
Blades	5 - Reversible - Plywood
Lead Wire	76"
Motor Type	AC - 153 x 18mm motor
Voltage	120v
Blade Pitch	14°
Downrod Length	4"
Speeds	3 - Reversible Motor
Light Kit	Adaptable (Sold Separately)
Socket	2 x E26 10w LED Bulbs, 30K, 800lm (not included)
Control	Pull Chain

Performance & Energy Information

Fan Speed	CFM	Watts	CFM/Watt
High	5,232	57.4	91.15
Medium	3,496	33	105.94
Low	2,254	13.6	165.74

Additional Light Kit Options	pg. 31-35
Additional Fan Blade Options	pg. 37

Light Kit

Part	Wattage	Kelvin	Lumens	CRI
LK9330-20W-30K-PC	20w (2x 10W LED)	30K	1,600	80

Ordering Example:

AXCF816-BN-BN-LK9330-20W-30K-PC

Prefix	Finish	Blades	Light Kit	Kelvin/CCT	Options
AXCF816	BN = Brushed Nickel ORB = Oil Rubbed Bronze	BN = Brushed Nickel DCH/WAL = Dark Cherry/Walnut ORB = Oil Rubbed Bronze	Blank = None LK9330-20W = 2x 10W E26	30K = 3000° Kelvin	PC = Pull Chain



Ceiling Fans

52" 5-Blade Fan with Optional Light Kit



AXCF820-BN-BN-DCLK9334BN

Standard Blade Package
All Brushed Nickel Blades



AXCF820-ORB-ORB-AXLK9334ORB

Standard Blade Package
All Oil Rubbed Bronze Blades

Applications

These fans deliver contemporary European styling along with comfort and excellent value. Unique design fans have an essence of class and destination.

Specification Features

ETL	Indoor Applications
Blade Sweep	52"
Blades	5 - Reversible - MDF
Lead Wire	54"
Motor Type	AC - 153 x 13mm motor
Voltage	120v
Blade Pitch	12°
Downrod Length	4"
Speeds	3 - Reversible Motor
Light Kit	Adaptable (Sold Separately)
Socket	2 x E26 10w LED Bulbs, 30K, 800lm (not included)
Control	Pull Chain

Performance & Energy Information

Fan Speed	CFM	Watts	CFM/Watt
High	5,419	65.1	83.3
Medium	3,454	32.3	107
Low	2,306	1.8	195

Additional Light Kit Options	pg. 31-35
Additional Fan Blade Options	pg. 37

Light Kit

Part	Wattage	Kelvin	Lumens	CRI
LK9334-20W-30K-PC	20w (2x 10W LED)	30K	1,600	80

Ordering Example:

AXCF820-BN-BN-LK9334-20W-30K-PC

Prefix	Finish	Blades	Light Kit	Kelvin/CCT	Options
AXCF820	BN = Brushed Nickel ORB = Oil Rubbed Bronze	BN = Brushed Nickel ORB = Oil Rubbed Bronze	Blank = None LK9334-20W = 2x 10W E26	30K = 3000° Kelvin	PC = Pull Chain



AXCF821

3 Blade Ceiling Fan with Light Kit



Specification Features

UL/ETL Listing	Dry Location
Blades	3 blades
Span	52"
Light Source	20W Integrated LED Light Kit
Color Temp.	3000° Kelvin
Control	Wall Control (included)
Motor Size	153mm x 18mm
Down Rod	
Diffuser/Lens	White



Ordering Example: AXCF821-BK-BK-20W-30K-WC



Prefix	Wattage	Color Temp.	Finish	Blades
AXCF821	20W = 20 watt Integrated LED Light Kit	30K = 3000° Kelvin	BK = Black	BK = Black

Ceiling Fans

52" 3&4-Blade Fans



Applications

These fans deliver contemporary European styling along with comfort and excellent value. Unique design fans have an essence of class and destination.

Specification Features

ETL	Indoor Applications
Blade Sweep	52"
Blades	3/4 - Non Reversible - Metal
Lead Wire	54"
Motor Type	AC - 153 x 18mm motor
Voltage	120v
Blade Pitch	14°
Downrod Length	6"
Speeds	3 - Reversible Motor
Light Kit	None
Control	Pull Chain / Wall Control

Performance & Energy Information

Fan Speed	CFM	Watts	CFM/Watt
High	4,850	55.2	88
Medium	3,280	29.1	113
Low	1,865	13.3	140

Wall Controls



DWC
Fan & Light Wall Control

- 4 Speed Control
- Dual Slide
- White finish
- Dimmer
- H - 4.625" W - 2.75"
- 120V/60Hz

AXWS-200



SWC
Fan & Light Wall Control

- 3 Speed Control
- On/Off Light Control
- White finish

AXWS-202



AXCF822

4 Blade Fan
Standard Blade Package
All Blade Finishes
Pull Chain Control



AXCF9822

4 Blade Fan
Standard Blade Package
All Blade Finishes
Wall Control



AXCF821

3 Blade Fan
Standard Blade Package
All Blade Finishes
Pull Chain Control



AXCF9821

3 Blade Fan
Standard Blade Package
All Blade Finishes
Wall Control



Ordering Example:

AXCF9822-BN-WAL-SWC

Prefix	Finish	Blades	Light Kit	Kelvin/CCT	Options
AXCF821	BN = Brushed Nickel	BN = Brushed Nickel	Blank = No Light Kit	30K = 3000° Kelvin	SWC = Standard Wall Control
AXCF822	CH = Chrome	WAL = Walnut	20W = 2x 10W E26		DWC = Dimmable Wall Control
AXCF9821	ORB = Oil Rubbed Bronze	ORB = Oil Rubbed Bronze			ABS = ABS Blades
AXCF9822	BK = Black WH = White	BK = Black WH = White			



Ceiling Fans

52" 3&4-Blade Fans



Applications

These fans deliver contemporary European styling along with comfort and excellent value. Unique design fans have an essence of class and destination.

Specification Features

ETL	Indoor Applications
Blade Sweep	52"
Blades	3/4 - Non Reversible - Metal
Lead Wire	54"
Motor Type	AC - 153 x 18mm motor
Voltage	120v
Blade Pitch	14°
Downrod Length	6"
Speeds	3 - Reversible Motor
Light Kit	None
Control	Pull Chain / Wall Control

Performance & Energy Information

Fan Speed	CFM	Watts	CFM/Watt
High	4,850	55.2	88
Medium	3,280	29.1	113
Low	1,865	13.3	140

Wall Controls



DWC Fan & Light Wall Control

- 4 Speed Control
- Dual Slide
- White finish
- Dimmer
- H - 4.625" W - 2.75"
- 120V/60Hz

AXWS-200



SWC Fan & Light Wall Control

- 3 Speed Control
- On/Off Light Control
- White finish

AXWS-202



AXCF822

4 Blade Fan
Standard Blade Package
All Blade Finishes
Pull Chain Control



AXCF9822

4 Blade Fan
Standard Blade Package
All Blade Finishes
Wall Control



AXCF821

3 Blade Fan
Standard Blade Package
All Blade Finishes
Pull Chain Control



AXCF9821

3 Blade Fan
Standard Blade Package
All Blade Finishes
Wall Control



Ordering Example:

AXCF9822-BN-WAL-SWC

Prefix	Finish	Blades	Light Kit	Kelvin/CCT	Options
AXCF821	BN = Brushed Nickel	BN = Brushed Nickel	Blank = No Light Kit	30K = 3000° Kelvin	SWC = Standard Wall Control
AXCF822	CH = Chrome	WAL = Walnut	20W = 2x 10W E26		DWC = Dimmable Wall Control
AXCF9821	ORB = Oil Rubbed Bronze	ORB = Oil Rubbed Bronze			
AXCF9822	BK = Black WH = White	BK = Black WH = White			



AXCF836

5 Blade Ceiling Fan



Specification Features

UL/ETL Listing	Dry Location
Blades	5 reversible blades
Span	52"
Light Source	(2) E26 Socket Light Kit
Control	Pull Chain
Motor Size	153mm x 18mm
Down Rod	6"
Diffuser/Lens	Opal Glass

Ordering Example: AXCF836-20W-30K-ORB-WN



Prefix	Wattage	Color Temp.	Finish	Blades
AXCF836	20W = (2) 10W A19 Bulb - E26 Base	30K = 3000° Kelvin	ORB = Oil Rubbed Bronze	WN = Walnut Blades

AXCF850

3 Blade Ceiling Fan



Specification Features

UL/ETL Listing	Dry Location
Blades	3 reversible blades
Span	52"
Light Source	(2) GU24 Sockets for A19 Lamps
Color Temp.	3000° Kelvin
Control	Pull Chain (not pictured)
Motor Size	153mm x 15mm
Down Rod	6"
Diffuser/Lens	Opal Glass

Ordering Example: AXCF850-20W-30K-BN-BN



Prefix	Wattage	Color Temp.	Finish	Blades
AXCF850	20W = 20 watt Integrated LED Light Kit	30K = 3000° Kelvin	BN = Brushed Nickel	BN = Brushed Nickel

Ceiling Fans

50" 3-Blade Fan



AXCF870-BN-BN
Standard Blade Package
All Brushed Nickel Blades



AXCF870-BN-WAL
Standard Blade Package
All Walnut Blades



AXCF870-ORB-ORB
Standard Blade Package
All Oil Rubbed Bronze Blades

Applications

These fans deliver contemporary European styling along with comfort and excellent value. Unique design fans have an essence of class and destination.

Specification Features

ETL	Indoor Applications
Blade Sweep	50"
Blades	3 - Reversible - Plywood
Lead Wire	76"
Motor Type	AC - 153 x 15mm motor
Voltage	120v
Blade Pitch	12°
Downrod Length	4"
Speeds	3 - Reversible Motor
Light Kit	Satin White Glass Diffuser
Socket	2 x E26 10w LED Bulbs, 30K, 800lm (not included)
Control	Pull Chain

Performance & Energy Information

Fan Speed	CFM	Watts	CFM/Watt
High	5,420	65	83
Medium	3,450	33	105
Low	2,300	13	177

Light Kit

Wattage	Kelvin	Lumens	CRI
20w (2x 10W LED)	30K	1,600	80

Ordering Example:

AXCF870-BN-WAL-20W-30K-PC

Prefix	Finish	Blades	Light Kit	Kelvin/CCT	Options
AXCF870	BN = Brushed Nickel ORB = Oil Rubbed Bronze	BN = Brushed Nickel WAL = Walnut ORB = Oil Rubbed Bronze	20W = 2x 10W E26	30K = 3000° Kelvin	PC = Pull Chain



Intertek

Ceiling Fans

50" 3-Blade Fan



AXCF870-BK-BK
Standard Blade Package
All Black Blades



AXCF870-WH-WH
Standard Blade Package
All White Blades

Applications

These fans deliver contemporary European styling along with comfort and excellent value. Unique design fans have an essence of class and destination.

Specification Features

ETL	Indoor Applications
Blade Sweep	50"
Blades	3 - Reversible - Plywood
Lead Wire	76"
Motor Type	AC - 153 x 15mm motor
Voltage	120v
Blade Pitch	12°
Downrod Length	4"
Speeds	3 - Reversible Motor
Light Kit	Satin White Glass Diffuser
Socket	2 x E26 10w LED Bulbs, 30K, 800lm (not included)
Control	Pull Chain

Performance & Energy Information

Fan Speed	CFM	Watts	CFM/Watt
High	5,420	65	83
Medium	3,450	33	105
Low	2,300	13	177

Light Kit

Wattage	Kelvin	Lumens	CRI
20w (2x 10W LED)	30K	1,600	80

Ordering Example:

AXCF870-BK-BK-20W-30K-PC

Prefix	Finish	Blades	Light Kit	Kelvin/CCT	Options
AXCF870	BK = Black WH = White	BK = Black WH = White	20W = 2x 10W E26	30K = 3000° Kelvin	PC = Pull Chain



Intertek

Ceiling Fans

50" 4-Blade Fan



AXCF874-BN-BN
Standard Blade Package
All Brushed Nickel Blades



AXCF874-BN-WAL
Standard Blade Package
All Walnut Blades



AXCF874-ORB-ORB
Standard Blade Package
All Oil Rubbed Bronze Blades

Applications

These fans deliver contemporary European styling along with comfort and excellent value. Unique design fans have an essence of class and destination.

Specification Features

ETL	Indoor Applications
Blade Sweep	50"
Blades	4 - Reversible - Plywood
Lead Wire	54"
Motor Type	AC - 153 x 15mm motor
Voltage	120v
Blade Pitch	12°
Downrod Length	6"
Speeds	3 - Reversible Motor
Light Kit	Satin White Glass Diffuser
Socket	2 x E26 10w LED Bulbs, 30K, 800lm (not included)
Control	Pull Chain

Performance & Energy Information

Fan Speed	CFM	Watts	CFM/Watt
High	5,695	59	97
Medium	3,841	28	136
Low	2,889	11	208

Light Kit

Wattage	Kelvin	Lumens	CRI
20w (2x 10W LED)	30K	1,600	80

Ordering Example:

AXCF874-BN-WAL-20W-30K-PC



Prefix	Finish	Blades	Light Kit	Kelvin/CCT	Options
AXCF874	BN = Brushed Nickel ORB = Oil Rubbed Bronze	BN = Brushed Nickel WAL = Walnut ORB = Oil Rubbed Bronze	20W = 2x 10W E26	30K = 3000° Kelvin	PC = Pull Chain

Ceiling Fans

50" 4-Blade Fan



AXCF874-BK-BK
Standard Blade Package
All Black Blades



AXCF874-WH-WH
Standard Blade Package
All White Blades

Applications

These fans deliver contemporary European styling along with comfort and excellent value. Unique design fans have an essence of class and destination.

Specification Features

ETL	Indoor Applications
Blade Sweep	50"
Blades	4 - Reversible - Plywood
Lead Wire	54"
Motor Type	AC - 153 x 15mm motor
Voltage	120v
Blade Pitch	12°
Downrod Length	6"
Speeds	3 - Reversible Motor
Light Kit	Satin White Glass Diffuser
Socket	2 x E26 10w LED Bulbs, 30K, 800lm (not included)
Control	Pull Chain

Performance & Energy Information

Fan Speed	CFM	Watts	CFM/Watt
High	5,695	59	97
Medium	3,841	28	136
Low	2,889	11	208

Light Kit

Wattage	Kelvin	Lumens	CRI
20w (2x 10W LED)	30K	1,600	80

Ordering Example:

AXCF874-BK-BK-20W-30K-PC



Prefix	Finish	Blades	Light Kit	Kelvin/CCT	Options
AXCF874	BK = Black WH = White	BK = Black WH = White	20W = 2x 10W E26	30K = 3000° Kelvin	PC = Pull Chain

Ceiling Fans

50" 4-Blade Fan



AXCF874-BN-BN
Standard Blade Package
All Brushed Nickel Blades



AXCF874-BN-WAL
Standard Blade Package
All Walnut Blades



AXCF874-ORB-ORB
Standard Blade Package
All Oil Rubbed Bronze Blades

Applications

These fans deliver contemporary European styling along with comfort and excellent value. Unique design fans have an essence of class and destination.

Specification Features

ETL	Indoor Applications
Blade Sweep	50"
Blades	4 - Reversible - Plywood
Lead Wire	54"
Motor Type	AC - 153 x 15mm motor
Voltage	120v
Blade Pitch	12°
Downrod Length	6"
Speeds	3 - Reversible Motor
Light Kit	Satin White Glass Diffuser
Socket	2 x E26 10w LED Bulbs, 30K, 800lm (not included)
Control	Pull Chain

Performance & Energy Information

Fan Speed	CFM	Watts	CFM/Watt
High	5,695	59	97
Medium	3,841	28	136
Low	2,889	11	208

Light Kit

Wattage	Kelvin	Lumens	CRI
20w (2x 10W LED)	30K	1,600	80

Ordering Example:

AXCF874-BN-WAL-20W-30K-PC

Prefix	Finish	Blades	Light Kit	Kelvin/CCT	Options
AXCF874	BN = Brushed Nickel ORB = Oil Rubbed Bronze	BN = Brushed Nickel WAL = Walnut ORB = Oil Rubbed Bronze	20W = 2x 10W E26	30K = 3000° Kelvin	PC = Pull Chain



Intertek

Ceiling Fans

50" 4-Blade Fan



AXCF874-BK-BK
Standard Blade Package
All Black Blades



AXCF874-WH-WH
Standard Blade Package
All White Blades

Applications

These fans deliver contemporary European styling along with comfort and excellent value. Unique design fans have an essence of class and destination.

Specification Features

ETL	Indoor Applications
Blade Sweep	50"
Blades	4 - Reversible - Plywood
Lead Wire	54"
Motor Type	AC - 153 x 15mm motor
Voltage	120v
Blade Pitch	12°
Downrod Length	6"
Speeds	3 - Reversible Motor
Light Kit	Satin White Glass Diffuser
Socket	2 x E26 10w LED Bulbs, 30K, 800lm (not included)
Control	Pull Chain

Performance & Energy Information

Fan Speed	CFM	Watts	CFM/Watt
High	5,695	59	97
Medium	3,841	28	136
Low	2,889	11	208

Light Kit

Wattage	Kelvin	Lumens	CRI
20w (2x 10W LED)	30K	1,600	80

Ordering Example:

AXCF874-BK-BK-20W-30K-PC

Prefix	Finish	Blades	Light Kit	Kelvin/CCT	Options
AXCF874	BK = Black WH = White	BK = Black WH = White	20W = 2x 10W E26	30K = 3000° Kelvin	PC = Pull Chain



Ceiling Fans

50" 5-Blade Fan



AXCF876-BN-BN
Standard Blade Package
All Brushed Nickel Blades



AXCF876-BN-WAL
Standard Blade Package
All Walnut Blades



AXCF876-ORB-ORB
Standard Blade Package
All Oil Rubbed Bronze Blades

Applications

These fans deliver contemporary European styling along with comfort and excellent value. Unique design fans have an essence of class and destination.

Specification Features

ETL	Indoor Applications
Blade Sweep	50"
Blades	5 - Reversible - Plywood
Lead Wire	54"
Motor Type	AC - 153 x 15mm motor
Voltage	120v
Blade Pitch	12°
Downrod Length	6"
Speeds	3 - Reversible Motor
Light Kit	Satin White Glass Diffuser
Socket	2 x E26 10w LED Bulbs, 30K, 800lm (not included)
Control	Pull Chain

Performance & Energy Information

Fan Speed	CFM	Watts	CFM/Watt
High	5,695	59	97
Medium	3,841	28	136
Low	2,889	11	208

Light Kit

Wattage	Kelvin	Lumens	CRI
20w (2x 10W LED)	30K	1,600	80

Ordering Example:

AXCF876-BN-WAL-20W-30K-PC

Prefix	Finish	Blades	Light Kit	Kelvin/CCT	Options
AXCF876	BN = Brushed Nickel ORB = Oil Rubbed Bronze	BN = Brushed Nickel WAL = Walnut ORB = Oil Rubbed Bronze	20W = 2x 10W E26	30K = 3000° Kelvin	PC = Pull Chain



Ceiling Fans

50" 5-Blade Fan



AXCF876-BK-BK
Standard Blade Package
All Black Blades



AXCF876-WH-WH
Standard Blade Package
All White Blades

Applications

These fans deliver contemporary European styling along with comfort and excellent value. Unique design fans have an essence of class and destination.

Specification Features

ETL	Indoor Applications
Blade Sweep	50"
Blades	5 - Reversible - Plywood
Lead Wire	54"
Motor Type	AC - 153 x 15mm motor
Voltage	120v
Blade Pitch	12°
Downrod Length	6"
Speeds	3 - Reversible Motor
Light Kit	Satin White Glass Diffuser
Socket	2 x E26 10w LED Bulbs, 30K, 800lm (not included)
Control	Pull Chain

Performance & Energy Information

Fan Speed	CFM	Watts	CFM/Watt
High	5,695	59	97
Medium	3,841	28	136
Low	2,889	11	208

Light Kit

Wattage	Kelvin	Lumens	CRI
20w (2x 10W LED)	30K	1,600	80

Ordering Example:

AXCF876-BK-BK-20W-30K-PC

Prefix	Finish	Blades	Light Kit	Kelvin/CCT	Options
AXCF876	BK = Black WH = White	BK = Black WH = White	20W = 2x 10W E26	30K = 3000° Kelvin	PC = Pull Chain



Ceiling Fans

50" 5-Blade Fan



AXCF876-BN-BN
Standard Blade Package
All Brushed Nickel Blades



AXCF876-BN-WAL
Standard Blade Package
All Walnut Blades



AXCF876-ORB-ORB
Standard Blade Package
All Oil Rubbed Bronze Blades

Applications

These fans deliver contemporary European styling along with comfort and excellent value. Unique design fans have an essence of class and destination.

Specification Features

ETL	Indoor Applications
Blade Sweep	50"
Blades	5 - Reversible - Plywood
Lead Wire	54"
Motor Type	AC - 153 x 15mm motor
Voltage	120v
Blade Pitch	12°
Downrod Length	6"
Speeds	3 - Reversible Motor
Light Kit	Satin White Glass Diffuser
Socket	2 x E26 10w LED Bulbs, 30K, 800lm (not included)
Control	Pull Chain

Performance & Energy Information

Fan Speed	CFM	Watts	CFM/Watt
High	5,695	59	97
Medium	3,841	28	136
Low	2,889	11	208

Light Kit

Wattage	Kelvin	Lumens	CRI
20w (2x 10W LED)	30K	1,600	80

Ordering Example:

AXCF876-BN-WAL-20W-30K-PC

Prefix	Finish	Blades	Light Kit	Kelvin/CCT	Options
AXCF876	BN = Brushed Nickel ORB = Oil Rubbed Bronze	BN = Brushed Nickel WAL = Walnut ORB = Oil Rubbed Bronze	20W = 2x 10W E26	30K = 3000° Kelvin	PC = Pull Chain



Ceiling Fans

50" 5-Blade Fan



AXCF876-BK-BK
Standard Blade Package
All Black Blades



AXCF876-WH-WH
Standard Blade Package
All White Blades

Applications

These fans deliver contemporary European styling along with comfort and excellent value. Unique design fans have an essence of class and destination.

Specification Features

ETL	Indoor Applications
Blade Sweep	50"
Blades	5 - Reversible - Plywood
Lead Wire	54"
Motor Type	AC - 153 x 15mm motor
Voltage	120v
Blade Pitch	12°
Downrod Length	6"
Speeds	3 - Reversible Motor
Light Kit	Satin White Glass Diffuser
Socket	2 x E26 10w LED Bulbs, 30K, 800lm (not included)
Control	Pull Chain

Performance & Energy Information

Fan Speed	CFM	Watts	CFM/Watt
High	5,695	59	97
Medium	3,841	28	136
Low	2,889	11	208

Light Kit

Wattage	Kelvin	Lumens	CRI
20w (2x 10W LED)	30K	1,600	80

Ordering Example:

AXCF876-BK-BK-20W-30K-PC

Prefix	Finish	Blades	Light Kit	Kelvin/CCT	Options
AXCF876	BK = Black WH = White	BK = Black WH = White	20W = 2x 10W E26	30K = 3000° Kelvin	PC = Pull Chain



Intertek

Ceiling Fans

52" 5-Blade Builder Fan with Optional Light Kit



AXCF8552-BN-MAP/WAL
Standard Blade Package
Maple/Walnut Blades



AXCF8552-WH-WH/WP
Standard Blade Package
White/Washed Pine Blades



AXCF8552-ORB-ORB
Standard Blade Package
All ORB Blades



LK9334-PC
Shown in WH



LK9330-PC
Shown in BN

Light Kit

Part	Wattage	Kelvin	Lumens	CRI
LK9330-20W-30K-PC	20w (2x 10W LED)	30K	1,600	80
LK9334-20W-30K-PC	20w (2x 10W LED)	30K	1,600	80

Applications

These fans deliver contemporary European styling along with comfort and excellent value. Unique design fans have an essence of class and destination.

Specification Features

ETL	Indoor Applications
Blade Sweep	52"
Blades	3 - Reversible - MDF
Lead Wire	24"
Motor Type	AC - 153 x 13mm motor
Voltage	120v
Blade Pitch	11°
Downrod Length	4"
Speeds	3 - Reversible Motor
Light Kit	Adaptable (Sold Separately)
Socket	2 x E26 10w LED Bulbs, 30K, 800lm (not included)
Control	Pull Chain

Performance & Energy Information

Fan Speed	CFM	Watts	CFM/Watt
High	5,232	57.4	91.15
Medium	3,496	33	105.94
Low	2,254	13.6	165.74

Additional Light Kit Options	pg. 31-35
Additional Fan Blade Options	pg. 37

Ordering Example:

AXCF552-BN-MAP/WAL-LK9330-20W-30K-PC

Prefix	Finish	Blades	Light Kit	Kelvin/CCT	Options
AXCF552	BN = Brushed Nickel ORB = Oil Rubbed Bronze WH = White	MAP/WAL = Maple/Walnut DCH/WAL = Dark Cherry/Walnut WH/WP = White/Washed Pine WH/WO = White/Washed Oak ORB = Oil Rubbed Bronze	LK9330-20W = 2x 10W E26 LK9334-20W = 2x 10W E26	30K = 3000° Kelvin	PC = Pull Chain

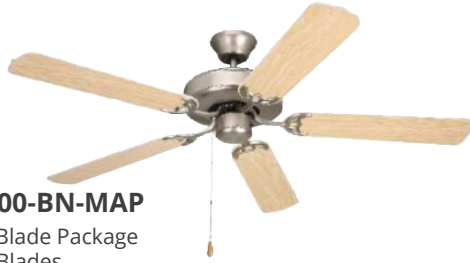


Intertek

Outdoor Fans



52" 5-Blade Builder Fan with Optional Light Kit



AXCF8600-BN-MAP
Standard Blade Package
All Maple Blades



AXCF8600-WH-WH
Standard Blade Package
All White Blades



AXCF8600-ORB-ORB
Standard Blade Package
All Oil Rubbed Bronze Blades



AXCF8600-BK-BK
Standard Blade Package
All Black Blades

Applications

These fans deliver contemporary European styling along with comfort and excellent value. Unique design fans have an essence of class and destination.

Specification Features

ETL	Outdoor Applications
Blade Sweep	52"
Blades	5 - Reversible - Plywood
Lead Wire	76"
Motor Type	AC - 153 x 18mm motor
Voltage	120v
Blade Pitch	14°
Downrod Length	4"
Speeds	3 - Reversible Motor
Light Kit	Adaptable (Sold Separately)
Socket	2 x E26 10w LED Bulbs, 30K, 800lm (not included)
Control	Pull Chain

Performance & Energy Information

Fan Speed	CFM	Watts	CFM/Watt
High	5,172	57.4	90
Medium	3,486	33.2	105
Low	2,257	13.3	169

Additional Light Kit Options	pg. 31-35
Additional Fan Blade Options	pg. 37

Light Kit

Part	Wattage	Kelvin	Lumens	CRI
LK9330-20W-30K-PC	20w (2x 10W LED)	30K	1,600	80
LK9330-20W-30K-PC	20w (2x 10W LED)	30K	1,600	80

Ordering Example:

AXCF8600-BN-MAP-LK9330-20W-30K-PC

Prefix	Finish	Blades	Light Kit	Kelvin/CCT	Options
AXCF8600	BN = Brushed Nickel ORB = Oil Rubbed Bronze WH = White BK = Black	MAP = Maple ORB = Oil Rubbed Bronze WH = White BK = Black	Blank = None LK9330-20W = 2x 10W E26 LK9334-20W = 2x 10W E26	30K = 3000° Kelvin	PC = Pull Chain



Indoor/Outdoor Fans



72" or 84" 6-Blade Industrial Fan with LED Light Kit

Applications

These fans deliver contemporary European styling along with comfort and excellent value. Unique design fans have an essence of class and destination.

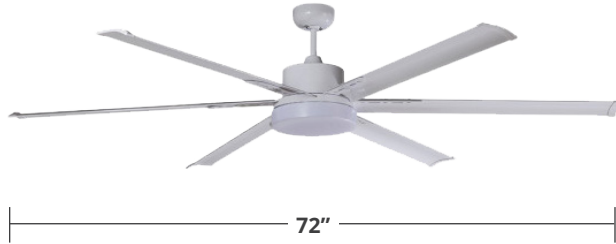
Specification Features

ETL	Indoor/Outdoor Applications
Blade Sweep	(DCCF9650) 72", (DCCF9652) 84"
Blades	6 - Non Reversible - Aluminum
Lead Wire	54"
Motor Type	DC - 172 x 15mm motor
Voltage	120v
Blade Pitch	17°
Downrod Length	6"
Speeds	5 - Reversible Motor
Light Kit	Integrated LED - Frosted White Glass
Control	Remote Control

Performance & Energy Information

Fan Speed	CFM	Watts	CFM/Watt
1	7,114	35.1	203
2	6,120	22.8	268
3	5,042	16.1	313
4	4,021	10.4	387
5	2,985	5.5	543

AXCF9650-72-WH-WH



AXCF9652-84-ORB-ORB



AXCF9652-84-BN-BN



Light Kit

Wattage	Kelvin	Lumens	CRI
15W	30K	920	80

Ordering Example:

AXCF9652-BN-BN-15W-30K-RC

Prefix	Finish	Blades	Light Kit	Kelvin/CCT	Options
AXCF9650	BN = Brushed Nickel	BN = Brushed Nickel	15W = 15 Watt integrated LED	30K - 3000° Kelvin	RC = Remote Control
AXCF9652	ORB = Oil Rubbed Bronze WH = White	ORB = Oil Rubbed Bronze WH = White			



Indoor/Outdoor Fans



72" or 84" 6-Blade Industrial Fan with LED Light Kit

Applications

These fans deliver contemporary European styling along with comfort and excellent value. Unique design fans have an essence of class and destination.

Specification Features

ETL	Indoor/Outdoor Applications
Blade Sweep	(DCCF9650) 72", (DCCF9652) 84"
Blades	6 - Non Reversible - Aluminum
Lead Wire	54"
Motor Type	DC - 172 x 15mm motor
Voltage	120v
Blade Pitch	17°
Downrod Length	6"
Speeds	5 - Reversible Motor
Light Kit	Integrated LED - Frosted White Glass
Control	Remote Control

Performance & Energy Information

Fan Speed	CFM	Watts	CFM/Watt
1	7,114	35.1	203
2	6,120	22.8	268
3	5,042	16.1	313
4	4,021	10.4	387
5	2,985	5.5	543

AXCF9650-72-WH-WH



AXCF9652-84-ORB-ORB



AXCF9652-84-BN-BN



Light Kit

Wattage	Kelvin	Lumens	CRI
15W	30K	920	80

Ordering Example:

AXCF9652-BN-BN-15W-30K-RC

Prefix	Finish	Blades	Light Kit	Kelvin/CCT	Options
AXCF9650	BN = Brushed Nickel	BN = Brushed Nickel	15W = 15 Watt integrated LED	30K - 3000° Kelvin	RC = Remote Control
AXCF9652	ORB = Oil Rubbed Bronze WH = White	ORB = Oil Rubbed Bronze WH = White			



Indoor/Outdoor Fans



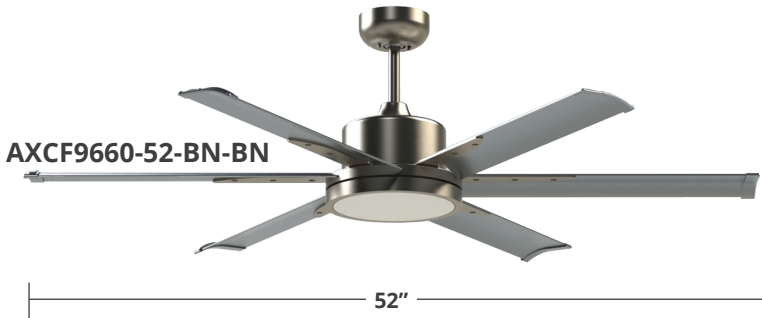
52", or 72" 6-Blade Industrial Fan with LED Light Kit

Applications

These fans deliver contemporary European styling along with comfort and excellent value. Unique design fans have an essence of class and destination.

Specification Features

ETL	Indoor/Outdoor Applications
Blade Sweep	9660 = 52", 9662 = 72"
Blades	6 - Non Reversible - Aluminum
Lead Wire	76"
Motor Type	52" - DC - 100 x 20mm motor 72" - DC - 155 x 16mm motor
Voltage	120v
Blade Pitch	17°
Downrod Length	6"
Speeds	5 - Reversible Motor
Light Kit	Integrated LED - Frosted White Glass
Control	Remote Control



Performance & Energy Information

Fan Speed	CFM	Watts	CFM/Watt
1	7,260	35	207
2	6,053	22	275
3	4,886	12	407
4	3,742	7	534
5	2,540	5	508

Light Kit

Wattage	Kelvin	Lumens	CRI
15W	30K	920	80

Ordering Example:

AXCF9662-BN-BN-15W-30K-RC

Prefix	Finish	Blades	Light Kit	Kelvin/CCT	Options
AXCF9660	BN = Brushed Nickel	BN = Brushed Nickel	15W = 15 Watt Integrated LED	30K = 3000° Kelvin	RC = Remote Control
AXCF9662	ORB = Oil Rubbed Bronze	ORB = Oil Rubbed Bronze			
	WH = White	WH = White			
	BK = Black	BK = Black			



Indoor/Outdoor Fans



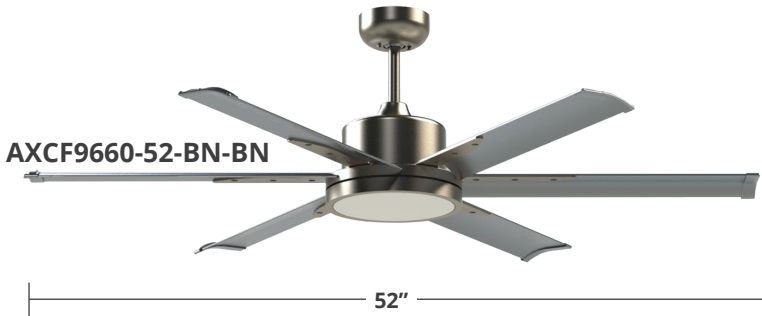
52", or 72" 6-Blade Industrial Fan with LED Light Kit

Applications

These fans deliver contemporary European styling along with comfort and excellent value. Unique design fans have an essence of class and destination.

Specification Features

ETL	Indoor/Outdoor Applications
Blade Sweep	9660 = 52", 9662 = 72"
Blades	6 - Non Reversible - Aluminum
Lead Wire	76"
Motor Type	52" - DC - 100 x 20mm motor 72" - DC - 155 x 16mm motor
Voltage	120v
Blade Pitch	17°
Downrod Length	6"
Speeds	5 - Reversible Motor
Light Kit	Integrated LED - Frosted White Glass
Control	Remote Control



Performance & Energy Information

Fan Speed	CFM	Watts	CFM/Watt
1	7,260	35	207
2	6,053	22	275
3	4,886	12	407
4	3,742	7	534
5	2,540	5	508

Light Kit

Wattage	Kelvin	Lumens	CRI
15W	30K	920	80

Ordering Example:

AXCF9662-BN-BN-15W-30K-RC



Prefix	Finish	Blades	Light Kit	Kelvin/CCT	Options
AXCF9660	BN = Brushed Nickel	BN = Brushed Nickel	15W = 15 Watt Integrated LED	30K = 3000° Kelvin	RC = Remote Control
AXCF9662	ORB = Oil Rubbed Bronze	ORB = Oil Rubbed Bronze			
	WH = White	WH = White			
	BK = Black	BK = Black			

Ceiling Fans

50" 3- Curved Blade Fan



AXCF9800-BN-BN
Standard Blade Package
All Brushed Nickel Blades



AXCF9800-BN-WAL
Standard Blade Package
All Walnut Blades



AXCF9800-ORB-ORB
Standard Blade Package
All Oil Rubbed Bronze Blades

Applications

These fans deliver contemporary European styling along with comfort and excellent value. Unique design fans have an essence of class and destination.

Specification Features

ETL	Indoor Applications
Blade Sweep	50"
Blades	3 - Non Reversible - Plywood
Lead Wire	76"
Motor Type	AC - 153 x 15mm motor
Voltage	120v
Blade Pitch	12°
Downrod Length	4"
Speeds	3 - Reversible Motor
Light Kit	Satin White Glass Diffuser
Socket	2 x E26 10w LED Bulbs, 30K, 800lm (not included)
Control	Wall Control

Performance & Energy Information

Fan Speed	CFM	Watts	CFM/Watt
High	5,313	54.6	97
Medium	3,363	25	134
Low	2,060	9.3	221

Wall Controls



DWC Fan & Light Wall Control

- 4 Speed Control
- Dual Slide
- White finish
- Dimmer
- H - 4.625" W - 2.75"
- 120V/60Hz

AXWS-200



SWC Fan & Light Wall Control

- 3 Speed Control
- On/Off Light Control
- White finish

AXWS-202



Light Kit

Wattage	Kelvin	Lumens	CRI
20w (2x 10W LED)	30K	1,600	80

Ordering Example:

AXCF9800-BN-BN-20W-30K-SWC

Prefix	Finish	Blades	Light Kit	Kelvin/CCT	Options
AXCF9800	BN = Brushed Nickel ORB = Oil Rubbed Bronze	BN = Brushed Nickel WAL = Walnut ORB = Oil Rubbed Bronze	20W = 2x 10W E26	30K = 3000° Kelvin	SWC = Standard Wall Control DWC = Dimmable Wall Control



Intertek

Ceiling Fans

50" 3-Curved Blade Fan



AXCF9800-BK-BK
Standard Blade Package
All Black Blades



AXCF9800-WH-WH
Standard Blade Package
All White Blades

Applications

These fans deliver contemporary European styling along with comfort and excellent value. Unique design fans have an essence of class and destination.

Specification Features

ETL	Indoor Applications
Blade Sweep	50"
Blades	3 - Non Reversible - Plywood
Lead Wire	76"
Motor Type	AC - 153 x 15mm motor
Voltage	120v
Blade Pitch	12°
Downrod Length	4"
Speeds	3 - Reversible Motor
Light Kit	Satin White Glass Diffuser
Socket	2 x E26 10w LED Bulbs, 30K, 800lm (not included)
Control	Wall Control

Performance & Energy Information

Fan Speed	CFM	Watts	CFM/Watt
High	5,313	54.6	97
Medium	3,363	25	134
Low	2,060	9.3	221

Wall Controls



DWC Fan & Light Wall Control

- 4 Speed Control
- Dual Slide
- White finish
- Dimmer
- H - 4.625" W - 2.75"
- 120V/60Hz

AXWS-200



SWC Fan & Light Wall Control

- 3 Speed Control
- On/Off Light Control
- White finish

AXWS-202



Light Kit

Wattage	Kelvin	Lumens	CRI
20w (2x 10W LED)	30K	1,600	80

Ordering Example:

AXCF9800-BK-BK-20W-30K-SWC

Prefix	Finish	Blades	Light Kit	Kelvin/CCT	Options
AXCF9800	BK = Black WH = White	BK = Black WH = White	20W = 2x 10W E26	30K = 3000° Kelvin	SWC = Standard Wall Control DWC = Dimmable Wall Control



Intertek

Ceiling Fans

52" 5-Blade Fan



AXCF9810-ORB-DCH/WAL
Standard Blade Package
Walnut/Dark Cherry Blades



AXCF9810-BN-BN
Standard Blade Package
All Brushed Nickel Blades

Can be hung as flush mount or with downrod

Additional Light Kit Options	pg. 31-35
Additional Fan Blade Options	pg. 37

Light Kit

Wattage	Kelvin	Lumens	CRI
20w (2x 10W LED)	30K	1,600	80

Ordering Example:

AXCF9810-BN-WAL-LK9330-30K-SWC

Prefix	Finish	Blades	Light Kit	Kelvin/CCT	Options
AXCF9810	BN = Brushed Nickel ORB = Oil Rubbed Bronze	BN = Brushed Nickel DCH/WAL = Dark Cherry / Walnut	Blank = None LK9330 = 2x 10w E26	30K = 3000° Kelvin	SWC = Standard Wall Control DWC = Dimmable Wall Control

Applications

These fans deliver contemporary European styling along with comfort and excellent value. Unique design fans have an essence of class and destination.

Specification Features

ETL	Indoor Applications
Blade Sweep	50"
Blades	4 - Reversible - Plywood
Lead Wire	52"
Motor Type	AC - 153 x 15mm motor
Voltage	120v
Blade Pitch	12°
Downrod Length	6"
Speeds	3 - Reversible Motor
Light Kit	Satin White Glass Diffuser
Socket	2 x E26 10w LED Bulbs, 30K, 800lm (not included)
Control	Wall Control

Performance & Energy Information

Fan Speed	CFM	Watts	CFM/Watt
High	5,232	57.4	91.15
Medium	3,496	33	105.94
Low	2,254	13.6	165.74

Wall Controls



DWC Fan & Light Wall Control

- 4 Speed Control
- Dual Slide
- White finish
- Dimmer
- H - 4.625" W - 2.75"
- 120V/60Hz

AXWS-200



SWC Fan & Light Wall Control

- 3 Speed Control
- On/Off Light Control
- White finish

AXWS-202



Intertek

AXCF9821-ABS

3 Blade Ceiling Fan



Specification Features

UL/ETL Listing	Damp Location
Blades	3 reversible ABS blades
Span	52"
Light Source	None - Light Kit Adaptable
Color Temp.	
Control	Wall Control (included)
Motor Size	153mm x 18mm
Down Rod	6"
Diffuser/Lens	



Ordering Example: AXCF9821-ABS-BN-SSMP



Prefix	Wattage	Color Temp.	Finish	Blades
AXCF9821-ABS			BN = Brushed Nickel BK = Black	BN = Brushed Nickel BK = Black

AXCF9821-ABS

3 Blade Ceiling Fan



Specification Features

UL/ETL Listing	Damp Location
Blades	3 reversible ABS blades
Span	52"
Light Source	(2) E26 Sockets
Control	Wall Control (included)
Motor Size	153mm x 18mm
Down Rod	6"
Diffuser/Lens	White



Ordering Example: AXCF9821-ABS-20W-30K-BK-BK



Prefix	Wattage	Color Temp.	Finish	Blades
AXCF9821-ABS 20W = 20 watt Integrated LED Light Kit 30K = 3000° Kelvin			BK = Black	BK = Black

Ceiling Fans

52" 3&4-Blade Fans



Applications

These fans deliver contemporary European styling along with comfort and excellent value. Unique design fans have an essence of class and destination.

Specification Features

ETL	Indoor Applications
Blade Sweep	52"
Blades	3/4 - Non Reversible - Metal
Lead Wire	54"
Motor Type	AC - 153 x 18mm motor
Voltage	120v
Blade Pitch	14°
Downrod Length	6"
Speeds	3 - Reversible Motor
Light Kit	None
Control	Pull Chain / Wall Control

Performance & Energy Information

Fan Speed	CFM	Watts	CFM/Watt
High	4,850	55.2	88
Medium	3,280	29.1	113
Low	1,865	13.3	140

Wall Controls



DWC Fan & Light Wall Control

- 4 Speed Control
- Dual Slide
- White finish
- Dimmer
- H - 4.625" W - 2.75"
- 120V/60Hz

AXWS-200



SWC Fan & Light Wall Control

- 3 Speed Control
- On/Off Light Control
- White finish

AXWS-202



AXCF822

4 Blade Fan
Standard Blade Package
All Blade Finishes
Pull Chain Control



AXCF9822

4 Blade Fan
Standard Blade Package
All Blade Finishes
Wall Control



AXCF821

3 Blade Fan
Standard Blade Package
All Blade Finishes
Pull Chain Control



AXCF9821

3 Blade Fan
Standard Blade Package
All Blade Finishes
Wall Control



Ordering Example:

AXCF9822-BN-WAL-SWC

Prefix	Finish	Blades	Light Kit	Kelvin/CCT	Options
AXCF821	BN = Brushed Nickel	BN = Brushed Nickel	Blank = No Light Kit	30K = 3000° Kelvin	SWC = Standard Wall Control
AXCF822	CH = Chrome	WAL = Walnut	20W = 2x 10W E26		DWC = Dimmable Wall Control
AXCF9821	ORB = Oil Rubbed Bronze	ORB = Oil Rubbed Bronze			
AXCF9822	BK = Black WH = White	BK = Black WH = White			



Ceiling Fans

52" 3&4-Blade Fans



Applications

These fans deliver contemporary European styling along with comfort and excellent value. Unique design fans have an essence of class and destination.

Specification Features

ETL	Indoor Applications
Blade Sweep	52"
Blades	3/4 - Non Reversible - Metal
Lead Wire	54"
Motor Type	AC - 153 x 18mm motor
Voltage	120v
Blade Pitch	14°
Downrod Length	6"
Speeds	3 - Reversible Motor
Light Kit	None
Control	Pull Chain / Wall Control

Performance & Energy Information

Fan Speed	CFM	Watts	CFM/Watt
High	4,850	55.2	88
Medium	3,280	29.1	113
Low	1,865	13.3	140

Wall Controls



DWC Fan & Light Wall Control

- 4 Speed Control
- Dual Slide
- White finish
- Dimmer
- H - 4.625" W - 2.75"
- 120V/60Hz

DCWS-200



SWC Fan & Light Wall Control

- 3 Speed Control
- On/Off Light Control
- White finish

DCWS-202



AXCF822

4 Blade Fan
Standard Blade Package
All Blade Finishes
Pull Chain Control



AXCF9822

4 Blade Fan
Standard Blade Package
All Blade Finishes
Wall Control



AXCF821

3 Blade Fan
Standard Blade Package
All Blade Finishes
Pull Chain Control



AXCF9821

3 Blade Fan
Standard Blade Package
All Blade Finishes
Wall Control



Ordering Example:

AXCF9822-BN-WAL-SWC

Prefix	Finish	Blades	Light Kit	Kelvin/CCT	Options
AXCF821	BN = Brushed Nickel	BN = Brushed Nickel	Blank = No Light Kit	30K = 3000° Kelvin	SWC = Standard Wall Control
AXCF822	CH = Chrome	WAL = Walnut	20W = 2x 10W E26		DWC = Dimmable Wall Control
AXCF9821	ORB = Oil Rubbed Bronze	ORB = Oil Rubbed Bronze			
AXCF9822	BK = Black WH = White	BK = Black WH = White			



Ceiling Fans

52" 3-Blade Fan



AXCF9830
Standard Blade Package
Brushed Nickel w/ Walnut Blades



AXCF9830
Standard Blade Package
Brushed Nickel w/ BN Blades



AXCF9830
Standard Blade Package
White w/ White Blades

Applications

These fans deliver contemporary European styling along with comfort and excellent value. Unique design fans have an essence of class and destination.

Specification Features

ETL	Indoor Applications
Blade Sweep	52"
Blades	3 - Non Reversible - ABS
Lead Wire	80"
Motor Type	AC - 153 x 17mm motor
Voltage	120v
Blade Pitch	14°
Downrod Length	4"
Light Kit	Integrated light kit with 17w LED driver and frosted opal glass diffuser
Control	Wall Control

Performance & Energy Information

Fan Speed	CFM	Watts	CFM/Watt
High	5,982	71.57	85
Medium	3,889	31.59	123
Low	2,264	13.37	169

Wall Controls



DWC Fan & Light Wall Control

- 4 Speed Control
- Dual Slide
- White finish
- Dimmer
- H - 4.625" W - 2.75"
- 120V/60Hz

DCWS-200



SWC Fan & Light Wall Control

- 3 Speed Control
- On/Off Light Control
- White finish

DCWS-202

Light Kit

Wattage	Kelvin	Lumens	CRI
17w	30K	1,600	80

Ordering Example:

AXCF9830-BN-WAL-17W-30K-SWC

Prefix	Finish	Blades	Light Kit	Kelvin/CCT	Options
AXCF9830	BN = Brushed Nickel WH = White	WAL = Walnut BN = Brushed Nickel WH = White	17W = 17W Integrated LED	30K = 3000° Kelvin	SWC = Standard Wall Control DWC = Dimmable Wall Control



Intertek

Ceiling Fans

52" 5-Blade Fan



Applications

These fans deliver contemporary European styling along with comfort and excellent value. Unique design fans have an essence of class and destination.

Specification Features

ETL	Indoor Applications
Blade Sweep	52"
Blades	5 - Non Reversible - ABS
Lead Wire	54"
Motor Type	AC - 153 x 15mm motor
Voltage	120v
Blade Pitch	12°
Downrod Length	6"
Speeds	3 - Reversible Motor
Light Kit	White Opal Glass Diffuser
Socket	2 x E26 10w LED Bulbs, 30K, 800lm (not included)
Control	Wall Control

Performance & Energy Information

Fan Speed	CFM	Watts	CFM/Watt
High	5,212	52	185
Medium	3,841	28	138
Low	2,889	14	95

Wall Controls



DWC Fan & Light Wall Control

- 4 Speed Control
- Dual Slide
- White finish
- Dimmer
- H - 4.625" W - 2.75"
- 120V/60Hz

DCWS-200



SWC Fan & Light Wall Control

- 3 Speed Control
- On/Off Light Control
- White finish

DCWS-202



AXCF9832-BN-BK
Standard Blade Package
Brushed Nickel with Black Blades



AXCF9832-BN-BN
Standard Blade Package
Brushed Nickel with Brushed Nickel Blades



AXCF9832-MBK-BK
Standard Blade Package
Matte Black with Black Blades

Light Kit

Wattage	Kelvin	Lumens	CRI
20w (2x 10W LED)	30K	1,600	80

Ordering Example:

AXCF9832-BN-BN-20W-30K-SWC

Prefix	Finish	Blades	Light Kit	Kelvin/CCT	Options
AXCF9832	BN = Brushed Nickel MB = Matte Black	BN = Brushed Nickel BK = Black	20W = 2x 10W E26	30K = 3000° Kelvin	SWC = Standard Wall Control DWC = Dimmable Wall Control



Intertek

AXCF9850

3 Blade Ceiling Fan



Specification Features

UL/ETL Listing	Dry Location
Blades	3reversible blades
Span	52"
Light Source	(2) GU24 Sockets for A19 Lamps
Color Temp.	3000° Kelvin
Control	Wall Control (included)
Motor Size	153mm x 15mm
Down Rod	6"
Diffuser/Lens	Opal Glass



Ordering Example: AXCF9850-20W-30K-BN-BN



Prefix	Wattage	Color Temp.	Finish	Blades
AXCF9850	20W = 20 watt Integrated LED Light Kit	30K = 3000° Kelvin	BN = Brushed Nickel	BN = Brushed Nickel

AXCF9856

3 Blade Ceiling Fan with Light Kit



Specification Features

UL/ETL Listing	Dry Location
Blades	3 blades
Span	54"
Light Source	20W Integrated LED Light Kit
Color Temp.	3000° Kelvin
Control	Wall Control (included)
Motor Size	153mm x 20mm
Down Rod	6"
Diffuser/Lens	



Ordering Example: AXCF9856-BN-BN-20W-30K-WC



Prefix	Wattage	Color Temp.	Finish	Blades
AXCF9856	20W = 20 watt Integrated LED Light Kit	30K = 3000° Kelvin	BN = Brushed Nickel	BN = Brushed Nickel

Outdoor Fans

54" 3-Blade Corridor Fan



Applications

These fans deliver contemporary European styling along with comfort and excellent value. Unique design fans have an essence of class and destination.

Specification Features

ETL	Outdoor Applications
Blade Sweep	54"
Blades	3 - Non Reversible - Metal
Lead Wire	80"
Motor Type	AC - 192 x 17mm motor
Voltage	120v
Blade Pitch	10°
Downrod Length	6"
Speeds	4 - Reversible Motor
Control	Wall Control



AXCF9858-BN-BN
Standard Blade Package
All Black Blades



SWC
Fan & Light Wall Control

- 3 Speed Control
- On/Off Light Control
- White finish

Performance & Energy Information

Fan Speed	CFM	Watts	CFM/Watt
1	4,850	59	82
2	3,510	31	113
3	2,672	14	191
4	1,820	10.6	172

Ordering Example:
AXCF9858-BN-BN-SWC



Prefix	Finish	Blades	Options
AXCF9858	BN = Brushed Nickel	BN = Brushed Nickel	SWC = Standard Wall Control

Ceiling Fans

52" 3-Blade Fans



Applications

These fans deliver contemporary European styling along with comfort and excellent value. Unique design fans have an essence of class and destination.

Specification Features

ETL	Indoor Applications
Blade Sweep	52"
Blades	3 - Non Reversible - Plywood
Lead Wire	80"
Motor Type	AC - 188 x 20mm motor
Voltage	120v
Blade Pitch	14°
Downrod Length	6"
Light Kit	DCCF9860 - Satin White Glass Diffuser DCCF9864 - No Light Kit
Socket	2 x E26 10w LED Bulbs, 30K, 800lm (not included)
Control	Wall Control

Performance & Energy Information

Fan Speed	CFM	Watts	CFM/Watt
High	5,156	60.3	85.5
Medium	3,561	38.3	92.9
Low	2,771	19.7	140

Wall Controls



DWC Fan & Light Wall Control

- 4 Speed Control
- Dual Slide
- White finish
- Dimmer
- H - 4.625" W - 2.75"
- 120V/60Hz

DCWS-200



SWC Fan & Light Wall Control

- 3 Speed Control
- On/Off Light Control
- White finish

DCWS-202



Light Kit

Wattage	Kelvin	Lumens	CRI
20w	30K	1,600	80

Ordering Example:

AXCF9860-BN-BN-20W-30K-SWC

Prefix	Finish	Blades	Light Kit	Kelvin/CCT	Options
AXCF9860 AXCF9864	BN = Brushed Nickel	BN = Brushed Nickel	20W = 2x 10W E26	30K = 3000° Kelvin	SWC = Standard Wall Control DWC = Dimmable Wall Control



Intertek

AXCF9864

3 Blade Ceiling Fan



Specification Features



UL/ETL Listing	Dry Location
Blades	3 reversible blades
Span	52"
Control	Wall Control (included)



Ordering Example: AXCF9864-BN-BN-WC



Prefix	Finish	Blades	Control
AXCF9864	BN = Brushed Nickel	BN = Brushed Nickel	WC = Wall Control

Ceiling Fans

50" 3-Blade Fan



Applications

These fans deliver contemporary European styling along with comfort and excellent value. Unique design fans have an essence of class and destination.

Specification Features

ETL	Indoor Applications
Blade Sweep	50"
Blades	3 - Reversible - Plywood
Lead Wire	76"
Motor Type	AC - 153 x 15mm motor
Voltage	120v
Blade Pitch	12°
Downrod Length	4"
Speeds	3 - Reversible Motor
Light Kit	Satin White Glass Diffuser
Socket	2 x E26 10w LED Bulbs, 30K, 800lm (not included)
Control	Wall Control

Performance & Energy Information

Fan Speed	CFM	Watts	CFM/Watt
High	5,420	65	83
Medium	3,450	33	105
Low	2,300	13	177

Wall Controls



DWC
Fan & Light Wall Control

- 4 Speed Control
- Dual Slide
- White finish
- Dimmer
- H - 4.625" W - 2.75"
- 120V/60Hz

DCWS-200



SWC
Fan & Light Wall Control

- 3 Speed Control
- On/Off Light Control
- White finish

DCWS-202



Light Kit

Wattage	Kelvin	Lumens	CRI
20w (2x 10W LED)	30K	1,600	80

Ordering Example:

AXCF9870-BN-BN-20W-30K-SWC

Prefix	Finish	Blades	Light Kit	Kelvin/CCT	Options
AXCF9870	BN = Brushed Nickel ORB = Oil Rubbed Bronze	BN = Brushed Nickel WAL = Walnut ORB = Oil Rubbed Bronze	20W = 2x 10W E26	30K = 3000° Kelvin	SWC = Standard Wall Control DWC = Dimmable Wall Control



Intertek

Ceiling Fans

50" 3-Blade Fan



DCCF9870-BK-BK
Standard Blade Package
All Black Blades



DCCF9870-WH-WH
Standard Blade Package
All White Blades

Applications

These fans deliver contemporary European styling along with comfort and excellent value. Unique design fans have an essence of class and destination.

Specification Features

ETL	Indoor Applications
Blade Sweep	50"
Blades	3 - Reversible - Plywood
Lead Wire	76"
Motor Type	AC - 153 x 15mm motor
Voltage	120v
Blade Pitch	12°
Downrod Length	4"
Speeds	3 - Reversible Motor
Light Kit	Satin White Glass Diffuser
Socket	2 x E26 10w LED Bulbs, 30K, 800lm (not included)
Control	Wall Control

Performance & Energy Information

Fan Speed	CFM	Watts	CFM/Watt
High	5,420	65	83
Medium	3,450	33	105
Low	2,300	13	177

Wall Controls



DWC Fan & Light Wall Control

- 4 Speed Control
- Dual Slide
- White finish
- Dimmer
- H - 4.625" W - 2.75"
- 120V/60Hz

DCWS-200



SWC Fan & Light Wall Control

- 3 Speed Control
- On/Off Light Control
- White finish

DCWS-202



Light Kit

Wattage	Kelvin	Lumens	CRI
20w (2x 10W LED)	30K	1,600	80

Ordering Example:

AXCF9870-BK-BK-20W-30K-SWC

Prefix	Finish	Blades	Light Kit	Kelvin/CCT	Options
AXCF9870	BK = Black WH = White	BK = Black WH = White	20W = 2x 10W E26	30K = 3000° Kelvin	SWC = Standard Wall Control DWC = Dimmable Wall Control



Intertek

Ceiling Fans

50" 4-Blade Fan



AXCF9874-BN-BN
Standard Blade Package
All Brushed Nickel Blades



AXCF9874-BN-WAL
Standard Blade Package
All Walnut Blades



AXCF9874-ORB-ORB
Standard Blade Package
All Oil Rubbed Bronze Blades

Applications

These fans deliver contemporary European styling along with comfort and excellent value. Unique design fans have an essence of class and destination.

Specification Features

ETL	Indoor Applications
Blade Sweep	50"
Blades	4 - Reversible - Plywood
Lead Wire	54"
Motor Type	AC - 153 x 15mm motor
Voltage	120v
Blade Pitch	12°
Downrod Length	6"
Speeds	3 - Reversible Motor
Light Kit	Satin White Glass Diffuser
Socket	2 x E26 10w LED Bulbs, 30K, 800lm (not included)
Control	Wall Control

Performance & Energy Information

Fan Speed	CFM	Watts	CFM/Watt
High	5,695	59	97
Medium	3,841	28	136
Low	2,889	11	208

Wall Controls



- DWC Fan & Light Wall Control**
- 4 Speed Control
 - Dual Slide
 - White finish
 - Dimmer
 - H - 4.625" W - 2.75"
 - 120V/60Hz

DCWS-200



- SWC Fan & Light Wall Control**
- 3 Speed Control
 - On/Off Light Control
 - White finish

DCWS-202



Light Kit

Wattage	Kelvin	Lumens	CRI
20w (2x 10W LED)	30K	1,600	80

Ordering Example:

AXCF9874-BN-WAL-20W-30K-SWC

Prefix	Finish	Blades	Light Kit	Kelvin/CCT	Options
AXCF9874	BN = Brushed Nickel ORB = Oil Rubbed Bronze	BN = Brushed Nickel WAL = Walnut ORB = Oil Rubbed Bronze	20W = 2x 10W E26	30K = 3000° Kelvin	SWC = Standard Wall Control DWC = Dimmable Wall Control



Intertek

Ceiling Fans

50" 4-Blade Fan



DCCF9874-BK-BK
Standard Blade Package
All Black Blades



DCCF9874-WH-WH
Standard Blade Package
All White Blades

Applications

These fans deliver contemporary European styling along with comfort and excellent value. Unique design fans have an essence of class and destination.

Specification Features

ETL	Indoor Applications
Blade Sweep	50"
Blades	4 - Reversible - Plywood
Lead Wire	54"
Motor Type	AC - 153 x 15mm motor
Voltage	120v
Blade Pitch	12°
Downrod Length	6"
Speeds	3 - Reversible Motor
Light Kit	Satin White Glass Diffuser
Socket	2 x E26 10w LED Bulbs, 30K, 800lm (not included)
Control	Wall Control

Performance & Energy Information

Fan Speed	CFM	Watts	CFM/Watt
High	5,695	59	97
Medium	3,841	28	136
Low	2,889	11	208

Wall Controls



DWC Fan & Light Wall Control

- 4 Speed Control
- Dual Slide
- White finish
- Dimmer
- H - 4.625" W - 2.75"
- 120V/60Hz

DCWS-200



SWC Fan & Light Wall Control

- 3 Speed Control
- On/Off Light Control
- White finish

DCWS-202



Light Kit

Wattage	Kelvin	Lumens	CRI
20w (2x 10W LED)	30K	1,600	80

Ordering Example:

DCCF9874-BK-BK-20W-30K-SWC

Prefix	Finish	Blades	Light Kit	Kelvin/CCT	Options
DCCF9874	BK = Black WH = White	BK = Black WH = White	20W = 2x 10W E26	30K = 3000° Kelvin	SWC = Standard Wall Control DWC = Dimmable Wall Control



Intertek

Ceiling Fans

50" 5-Blade Fan



AXCF9876-BN-BN
Standard Blade Package
All Brushed Nickel Blades



AXCF9876-BN-WAL
Standard Blade Package
All Walnut Blades



AXCF9876-ORB-ORB
Standard Blade Package
All Oil Rubbed Bronze Blades

Applications

These fans deliver contemporary European styling along with comfort and excellent value. Unique design fans have an essence of class and destination.

Specification Features

ETL	Indoor Applications
Blade Sweep	50"
Blades	5 - Reversible - Plywood
Lead Wire	54"
Motor Type	AC - 153 x 15mm motor
Voltage	120v
Blade Pitch	12°
Downrod Length	6"
Speeds	3 - Reversible Motor
Light Kit	Satin White Glass Diffuser
Socket	2 x E26 10w LED Bulbs, 30K, 800lm (not included)
Control	Wall Control

Performance & Energy Information

Fan Speed	CFM	Watts	CFM/Watt
High	5,695	59	97
Medium	3,841	28	136
Low	2,889	11	208

Wall Controls



- DWC Fan & Light Wall Control**
- 4 Speed Control
 - Dual Slide
 - White finish
 - Dimmer
 - H - 4.625" W - 2.75"
 - 120V/60Hz

DCWS-200



- SWC Fan & Light Wall Control**
- 3 Speed Control
 - On/Off Light Control
 - White finish

DCWS-202



Light Kit

Wattage	Kelvin	Lumens	CRI
20w (2x 10W LED)	30K	1,600	80

Ordering Example:

AXCF9876-BN-WAL-20W-30K-SWC

Prefix	Finish	Blades	Light Kit	Kelvin/CCT	Options
AXCF9876	BN = Brushed Nickel ORB = Oil Rubbed Bronze	BN = Brushed Nickel WAL = Walnut ORB = Oil Rubbed Bronze	20W = 2x 10W E26	30K = 3000° Kelvin	SWC = Standard Wall Control DWC = Dimmable Wall Control



Intertek

Ceiling Fans

50" 5-Blade Fan



DCCF9876-BK-BK
Standard Blade Package
All Black Blades



DCCF9876-WH-WH
Standard Blade Package
All White Blades

Applications

These fans deliver contemporary European styling along with comfort and excellent value. Unique design fans have an essence of class and destination.

Specification Features

ETL	Indoor Applications
Blade Sweep	50"
Blades	5 - Reversible - Plywood
Lead Wire	54"
Motor Type	AC - 153 x 15mm motor
Voltage	120v
Blade Pitch	12°
Downrod Length	6"
Speeds	3 - Reversible Motor
Light Kit	Satin White Glass Diffuser
Socket	2 x E26 10w LED Bulbs, 30K, 800lm (not included)
Control	Wall Control

Performance & Energy Information

Fan Speed	CFM	Watts	CFM/Watt
High	5,695	59	97
Medium	3,841	28	136
Low	2,889	11	208

Wall Controls



- DWC Fan & Light Wall Control**
- 4 Speed Control
 - Dual Slide
 - White finish
 - Dimmer
 - H - 4.625" W - 2.75"
 - 120V/60Hz

DCWS-200



- SWC Fan & Light Wall Control**
- 3 Speed Control
 - On/Off Light Control
 - White finish

DCWS-202



Light Kit

Wattage	Kelvin	Lumens	CRI
20w (2x 10W LED)	30K	1,600	80

Ordering Example:

DCCF9876-BK-BK-20W-30K-SWC

Prefix	Finish	Blades	Light Kit	Kelvin/CCT	Options
DCCF9876	BK = Black WH = White	BK = Black WH = White	20W = 2x 10W E26	30K = 3000° Kelvin	SWC = Standard Wall Control DWC = Dimmable Wall Control



Intertek

AXCF98020

4 Blade Ceiling Fan



Specification Features

UL/ETL Listing	Dry Location
Blades	4 reversible blades
Span	52"
Light Source	20W Integrated LED Light Kit
Color Temp.	3000° Kelvin
Control	Wall Control (included)
Motor Size	153mm x 18mm
Down Rod	6"
Diffuser/Lens	Opal Glass



Ordering Example: AXCF98020-20W-30K-BN-SSMP



Prefix	Wattage	Color Temp.	Finish	Blades
AXCF98020	20W = 20 watt Integrated LED Light Kit	30K = 3000° Kelvin	BN = Brushed Nickel WH = White BK = Black	SSMP = Satin Steel / Maple WHBO = White / Bleached Oak

AXCF98030

4 Blade Ceiling Fan



Specification Features

UL/ETL Listing	Wet Location
Blades	4 reversible blades
Span	52"
Light Source	20W Integrated LED Light Kit
Color Temp.	3000° Kelvin
Control	Wall Control (included)
Motor Size	153mm x 18mm
Down Rod	6"
Diffuser/Lens	Opal Glass



Ordering Example: AXCF98030-20W-30K-BN-SSMP



Prefix	Wattage	Color Temp.	Finish	Blades
AXCF98030	20W = 20 watt Integrated LED Light Kit	30K = 3000° Kelvin	BN = Brushed Nickel WH = White BK = Black	SSMP = Satin Steel / Maple WHBO = White / Bleached Oak

AXCF98100

52" 5 Blade Ceiling Fan with Light Kit



Specification Features

UL/ETL Listing	Damp Location
Construction	Steel
Lens/Diffuser	Frosted Glass
Light Source	16W Integrated LED
Lumens	1685lm
CRI	80
Voltage	120V
Warranty	5 year normal operation
Dimensions	52"W x 14.3"H

Ordering Example: AXCF98100-MBK-MBK-20W-30K-WC



Prefix	Finish	Blade Finish	Wattage	Color Temp.	Controls
AXCF98100	MBK = Matte Black WH = White	MBK = Matte Black WH = White	16W = 16 watt ILED	30K = 3000° Kelvin	WC = Wall Control

Ceiling Fans

50" 5-Blade Fan



AXCFES9876-BN-BN
Standard Blade Package All
Brushed Nickel Blades



AXCFES9876-BN-WAL
Standard Blade Package All
Walnut Blades



AXCFES9876-ORB-ORB
Standard Blade Package
All Oil Rubbed Bronze Blades

Applications

These fans deliver contemporary European styling along with comfort and excellent value. Unique design fans have an essence of class and destination.

Specification Features

ETL	Indoor Applications
Blade Sweep	50"
Blades	5 - Reversible - Plywood
Lead Wire	54"
Motor Type	AC - 153 x 15mm motor
Voltage	120v
Blade Pitch	12°
Downrod Length	6"
Speeds	3 - Reversible Motor
Light Kit	Satin White Glass Diffuser
Socket	2 x E26 10w LED Bulbs, 30K, 800lm (not included)
Control	Wall Control

Performance & Energy Information

Fan Speed	CFM	Watts	CFM/ Watt
High	5,695	59	97
Medium	3,841	28	136
Low	2,889	11	208

Wall Controls



**DWC
Fan & Light Wall Control**

- 4 Speed Control
- Dual Slide
- White finish
- Dimmer
- H - 4.625" W - 2.75"
- 120V/60Hz

DCWS-200



**SWC
Fan & Light Wall Control**

- 3 Speed Control
- On/Off Light Control
- White finish

DCWS-202



Light Kit

Wattage	Kelvin	Lumens	CRI
20w (2x 10W LED)	30K	1,600	80

Ordering Example:

AXCFES9876-BN-WAL-20W-30K-SWC



Prefix	Finish	Blades	Light Kit	Kelvin/CCT	Options
AXCFES9876	BN = Brushed Nickel ORB = Oil Rubbed Bronze	BN = Brushed Nickel WAL = Walnut ORB = Oil Rubbed Bronze	20W = 2x 10W E26	30K = 3000° Kelvin	SWC = Standard Wall Control DWC = Dimmable Wall Control

Ceiling Fans

50" 5-Blade Fan



DCCFES9876-BK-BK
Standard Blade Package All Black Blades



DCCFES9876-WH-WH
Standard Blade Package All White Blades

Applications

These fans deliver contemporary European styling along with comfort and excellent value. Unique design fans have an essence of class and destination.

Specification Features

ETL	Indoor Applications
Blade Sweep	50"
Blades	5 - Reversible - Plywood
Lead Wire	54"
Motor Type	AC - 153 x 15mm motor
Voltage	120v
Blade Pitch	12°
Downrod Length	6"
Speeds	3 - Reversible Motor
Light Kit	Satin White Glass Diffuser
Socket	2 x E26 10w LED Bulbs, 30K, 800lm (not included)
Control	Wall Control

Performance & Energy Information

Fan Speed	CFM	Watts	CFM/Watt
High	5,695	59	97
Medium	3,841	28	136
Low	2,889	11	208

Wall Controls



- DWC Fan & Light Wall Control**
- 4 Speed Control
 - Dual Slide
 - White finish
 - Dimmer
 - H - 4.625" W - 2.75"
 - 120V/60Hz

DCWS-200



- SWC Fan & Light Wall Control**
- 3 Speed Control
 - On/Off Light Control
 - White finish

DCWS-202



Light Kit

Wattage	Kelvin	Lumens	CRI
20w (2x 10W LED)	30K	1,600	80

Ordering Example:

DCCFES9876-BK-BK-20W-30K-SWC



Prefix	Finish	Blades	Light Kit	Kelvin/CCT	Options
DCCFES9876	BK = Black WH = White	BK = Black WH = White	20W = 2x 10W E26	30K = 3000° Kelvin	SWC = Standard Wall Control DWC = Dimmable Wall Control

Ceiling Fans

1/2" Double Threaded Downrods



Applications

Where extra height is needed, decorative downrods are the perfect accessory. Downrods are available in a variety of sizes and finishes.



AXDR12-BC



AXDR12-BN



AXDR12-CS



AXDR12-ORB



AXDR12-PB



AXDR12-WH

Downrod Coupler



AXRC-BC



AXRC-BN



AXRC-CS



AXRC-ORB



AXRC-PB



AXRC-WH

Ordering Example:

AXDR12-24-BN



Intertek

Prefix	Length		Finish	
AXDR12 = 1/2" Double Threaded Downrod	12 = 12"	36 = 36"	BN = Brushed Nickel	CS = Cobblestone
AXRC = 1/2" Downrod Coupler	18 = 18"	48 = 48"	ORB = Oil Rubbed Bronze	PB = Polished Brass
	24 = 24"	60 = 60"	WH = White	
	30 = 30"	72 = 72"	BC = Brushed Chrome	

Fan Light Kits

Adaptable Light Kits



Applications

Add a decorative touch to ceiling fans with classic style light kits.



AXLK9004
4x E26 Sockets



AXLK9003
3x E26 Sockets

Specification Features

ETL	Indoor Applications
Housing	Baked on Enamel or Plated Cold Rolled Steel
Socket	E26 Standard
Lamping	10w LED A19
Mounting	Ceiling Fan. Includes all necessary hardware.
Finish Options	BK, BN, ORB, WH
Control	Wall Control or Pull Chain



003
Clear Ribbed Glass



252
Alabaster Glass



250
White Opal Glass



270
Tuscan Scavo Glass

Light Kit

Part	Wattage	Kelvin	Lumens	CRI	Dimensions
AXLK9003	30w (3x 10W E26)	30K	2,400	80	8"W x 2"H
AXLK9004	40w (4x 10W E26)	30K	3,200	80	7.38"W x 1.5"H

Ordering Example:

AXLK9003-BN-003-30W-30K



Prefix	Finish	Glass	Wattage	Kelvin/CCT	Options
AXLK9003	BN = Brushed Nickel	003 = Clear Ribbed	30W = 3x 10W E26	30K - 3000° Kelvin	PC = Pull Chain
AXLK9004	ORB = Oil Rubbed Bronze WH = White BK = Black	250 = White Opal 252 = Alabaster 270 = Tuscan Scavo	40W = 4x 10W E26		

Fan Light Kits

Adaptable Light Kits



Applications

Add a decorative touch to ceiling fans with classic style light kits.

Specification Features

ETL	Indoor Applications
Housing	Baked on Enamel or Plated Cold Rolled Steel
Socket	E26 Standard
Lamping	10w LED A19
Mounting	Ceiling Fan. Includes all necessary hardware.
Finish Options	BK, BN, ORB, WH
Control	Wall Control or Pull Chain



AXLK9004
4x E26 Sockets



AXLK9003
3x E26 Sockets



003
Clear Ribbed Glass



252
Alabaster Glass



250
White Opal Glass



270
Tuscan Scavo Glass

Light Kit

Part	Wattage	Kelvin	Lumens	CRI	Dimensions
AXLK9003	30w (3x 10W E26)	30K	2,400	80	8"W x 2"H
AXLK9004	40w (4x 10W E26)	30K	3,200	80	7.38"W x 1.5"H

Ordering Example:

AXLK9003-BN-003-30W-30K



Prefix	Finish	Glass	Wattage	Kelvin/CCT	Options
AXLK9003	BN = Brushed Nickel	003 = Clear Ribbed	30W = 3x 10W E26	30K - 3000° Kelvin	PC = Pull Chain
AXLK9004	ORB = Oil Rubbed Bronze WH = White BK = Black	250 = White Opal 252 = Alabaster 270 = Tuscan Scavo	40W = 4x 10W E26		

Fan Light Kits

Adaptable Light Kits



Applications

Add a decorative touch to ceiling fans with classic style light kits.

AXLK9220



Specification Features

ETL	Indoor Applications
Housing	Baked on Enamel or Plated Cold Rolled Steel
Socket	E26 - Standard
Lamping	1x or 2x 10w LED A19
Mounting	Ceiling Fan. Includes all necessary hardware.
Finish Options	BK, BN, ORB, WH
Control	Wall Control or Pull Chain

AXLK9550

Includes all Metal Finishes
(BN/ORB/WH)

Scavo Glass



Opal Glass



White Frost Glass



Light Kit

Part	Wattage	Kelvin	Lumens	CRI
AXLK9220	10W (1x 10W E26)	30K	800	80
AXLK9550	20W (2x 10W E26)	30K	1,600	80

Ordering Example:

AXLK9220-BN-WF-10W-30K-PC



Intertek

Prefix	Finish	Glass	Light Kit	Kelvin/CCT	Options
AXLK9220	BN = Brushed Nickel	SC = Scavo	10W = 1x 10W E26	30K = 3000° Kelvin	PC = Pull Chain
AXLK9550	ORB = Oil Rubbed Bronze WH = White BK = Black	OP = Opal WF = White Frost	20W = 2x 10W E26		

Fan Light Kits

Adaptable Light Kits



Applications

Add a decorative touch to ceiling fans with classic style light kits.

Specification Features

ETL	Indoor Applications
Housing	Baked on Enamel or Plated Cold Rolled Steel
Socket	GU24 - Bi-Pin
Lamping	2x 10W LED A19
Mounting	Ceiling Fan. Includes all necessary hardware.
Finish Options	BK, BN, ORB, WH
Control	Pull Chain

AXLK9330



AXLK9334



AXLK9360



AXLK9345



Light Kit

Wattage	Kelvin	Lumens	CRI
20W	30K	1,600	80

Ordering Example:

AXLK9330-BN-AB-20W-30K-PC



Intertek

Prefix	Finish	Glass	Wattage	Kelvin/CCT	Options
AXLK9330	BN = Brushed Nickel	AB = Alabaster	20W = 2x 10W GU24	30K = 3000° Kelvin	PC = Pull Chain
AXLK9334	ORB = Oil Rubbed Bronze	FW = Frosted White			
AXLK9345	WH = White				
AXLK9360	BK = Black				

Fan Light Kits

Adaptable Light Kits



Applications

Add a decorative touch to ceiling fans with classic style light kits.

Specification Features

ETL	Indoor Applications
Housing	Baked on Enamel or Plated Cold Rolled Steel
Socket	E26 - Standard
Lamping	2x 10W LED A19
Mounting	Ceiling Fan. Includes all necessary hardware.
Finish Options	BK, BN, ORB, WH
Control	Pull Chain

AXLK9330



AXLK9334



AXLK9360



AXLK9345



Light Kit

Wattage	Kelvin	Lumens	CRI
20W	30K	1,600	80

Ordering Example:

AXLK9330-BN-AB-20W-30K-PC



Intertek

Prefix	Finish	Glass	Wattage	Kelvin/CCT	Options
AXLK9330	BN = Brushed Nickel	AB = Alabaster	20W = 2x 10W E26	30K = 3000° Kelvin	PC = Pull Chain
AXLK9334	ORB = Oil Rubbed Bronze	FW = Frosted White			
AXLK9345	WH = White				
AXLK9360	BK = Black				

Fan Light Kits

Adaptable Light Kits



Applications

Add a decorative touch to ceiling fans with classic style light kits.

Specification Features

ETL	Indoor Applications
Housing	Baked on Enamel or Plated Cold Rolled Steel
Socket	E26 - Standard
Lamping	2x 10W LED A19
Mounting	Ceiling Fan. Includes all necessary hardware.
Finish Options	BK, BN, ORB, WH
Control	Pull Chain

AXLK9330



AXLK9334



AXLK9360



AXLK9345



Light Kit

Wattage	Kelvin	Lumens	CRI
20W	30K	1,600	80

Ordering Example:

AXLK9330-BN-AB-20W-30K-PC



Intertek

Prefix	Finish	Glass	Wattage	Kelvin/CCT	Options
AXLK9330	BN = Brushed Nickel	AB = Alabaster	20W = 2x 10W E26	30K = 3000° Kelvin	PC = Pull Chain
AXLK9334	ORB = Oil Rubbed Bronze	FW = Frosted White			
AXLK9345	WH = White				
AXLK9360	BK = Black				

Fan Light Kits

Adaptable Light Kits



Applications

Add a decorative touch to ceiling fans with classic style light kits.

Specification Features

ETL	Indoor Applications
Housing	Baked on Enamel or Plated Cold Rolled Steel
Socket	E26 - Standard
Lamping	2x 10W LED A19
Mounting	Ceiling Fan. Includes all necessary hardware.
Finish Options	BK, BN, ORB, WH
Control	Pull Chain

AXLK9330



AXLK9334



AXLK9360



AXLK9345



Light Kit

Wattage	Kelvin	Lumens	CRI
20W	30K	1,600	80

Ordering Example:

AXLK9330-BN-AB-20W-30K-PC



Prefix	Finish	Glass	Wattage	Kelvin/CCT	Options
AXLK9330	BN = Brushed Nickel	AB = Alabaster	20W = 2x 10W E26	30K = 3000° Kelvin	PC = Pull Chain
AXLK9334	ORB = Oil Rubbed Bronze	FW = Frosted White			
AXLK9345	WH = White				
AXLK9360	BK = Black				

Fan Light Kits

Adaptable Light Kits



Applications

Add a decorative touch to ceiling fans with classic style light kits.

Specification Features

ETL	Indoor Applications
Housing	Baked on Enamel or Plated Cold Rolled Steel
Socket	E26 - Standard
Lamping	2x 10W LED A19
Mounting	Ceiling Fan. Includes all necessary hardware.
Finish Options	BK, BN, ORB, WH
Control	Pull Chain

AXLK9330



AXLK9334



AXLK9360



AXLK9345



Light Kit

Wattage	Kelvin	Lumens	CRI
20W	30K	1,600	80

Ordering Example:

AXLK9330-BN-AB-20W-30K-PC



Prefix	Finish	Glass	Wattage	Kelvin/CCT	Options
AXLK9330	BN = Brushed Nickel	AB = Alabaster	20W = 2x 10W E26	30K = 3000° Kelvin	PC = Pull Chain
AXLK9334	ORB = Oil Rubbed Bronze	FW = Frosted White			
AXLK9345	WH = White				
AXLK9360	BK = Black				

Fan Light Kits

Adaptable Light Kits



Applications

Add a decorative touch to ceiling fans with classic style light kits.

AXLK9220



Specification Features

ETL	Indoor Applications
Housing	Baked on Enamel or Plated Cold Rolled Steel
Socket	E26 - Standard
Lamping	1x or 2x 10w LED A19
Mounting	Ceiling Fan. Includes all necessary hardware.
Finish Options	BK, BN, ORB, WH
Control	Wall Control or Pull Chain

AXLK9550

Includes all Metal Finishes
(BN/ORB/WH)

Scavo Glass



Opal Glass



White Frost Glass



Light Kit

Part	Wattage	Kelvin	Lumens	CRI
AXLK9220	10W (1x 10W E26)	30K	800	80
AXLK9550	20W (2x 10W E26)	30K	1,600	80

Ordering Example:

AXLK9220-BN-WF-10W-30K-PC



Intertek

Prefix	Finish	Glass	Light Kit	Kelvin/CCT	Options
AXLK9220	BN = Brushed Nickel	SC = Scavo	10W = 1x 10W E26	30K = 3000° Kelvin	PC = Pull Chain
AXLK9550	ORB = Oil Rubbed Bronze WH = White BK = Black	OP = Opal WF = White Frost	20W = 2x 10W E26		

Outdoor Fan Light Kits



Adaptable Light Kits

Applications

Add a decorative touch to ceiling fans with classic style light kits.



AXLK9612
2x E26 Sockets

Specification Features

ETL	Outdoor Applications
Housing	Baked on Enamel or Plated Cold Rolled Steel
Socket	E26 Standard
Lamping	Integrated LED
Mounting	Ceiling Fan. Includes all necessary hardware.
Finish Options	BK, BN, ORB, WH
Control	Wall Control or Pull Chain



AXLK9614
2x E26 Sockets

Light Kit

Part	Wattage	Kelvin	Lumens	CRI
AXLK9612	20w (2x 10W E26)	30K	1,600	80
AXLK9614	20w (2x 10W E26)	30K	1,600	80

Ordering Example:

AXLK9612-BN-OP-20W-30K-PC



Intertek

Prefix	Finish	Glass	Light Kit	Kelvin/CCT	Options
AXLK9612	BN = Brushed Nickel	SC = Scavo	20W = 2x 10W E26	30K = 3000° Kelvin	PC = Pull Chain
AXLK9614	ORB = Oil Rubbed Bronze WH = White	OP = Opal WF = White Frost			

Outdoor Fan Light Kits

Adaptable Light Kits



Applications

Add a decorative touch to ceiling fans with classic style light kits.



AXLK9612
2x E26 Sockets

Specification Features

ETL	Outdoor Applications
Housing	Baked on Enamel or Plated Cold Rolled Steel
Socket	E26 Standard
Lamping	Integrated LED
Mounting	Ceiling Fan. Includes all necessary hardware.
Finish Options	BK, BN, ORB, WH
Control	Wall Control or Pull Chain



AXLK9614
2x E26 Sockets

Light Kit

Part	Wattage	Kelvin	Lumens	CRI
AXLK9612	20w (2x 10W E26)	30K	1,600	80
AXLK9614	20w (2x 10W E26)	30K	1,600	80

Ordering Example:

AXLK9612-BN-OP-20W-30K-PC



Intertek

Prefix	Finish	Glass	Light Kit	Kelvin/CCT	Options
AXLK9612	BN = Brushed Nickel	SC = Scavo	20W = 2x 10W E26	30K = 3000° Kelvin	PC = Pull Chain
AXLK9614	ORB = Oil Rubbed Bronze WH = White	OP = Opal WF = White Frost			

Fan Light Kits

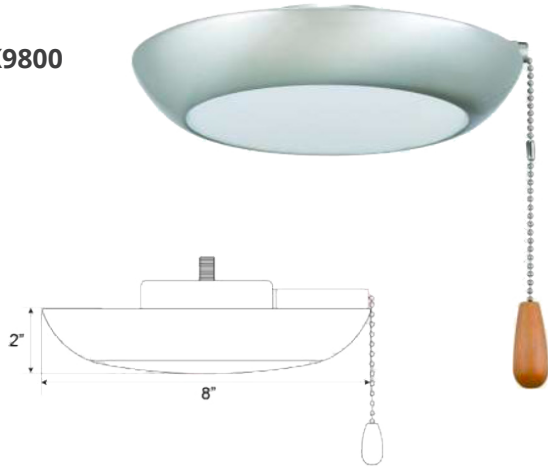
Adaptable Integrated LED Light Kits



Applications

Add a decorative touch to ceiling fans with classic style light kits.

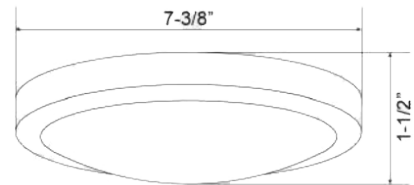
AXLK9800



Specification Features

ETL	Indoor Applications
Housing	Baked on Enamel or Plated Cold Rolled Steel
Lens	Acrylic
Lamping	Integrated LED
Mounting	Ceiling Fan. Includes all necessary hardware.
Finish Options	BK, BN, ORB, WH
Control	Wall Control or Pull Chain

AXLK9801
Ultra Slim



Light Kit

Part	Wattage	Kelvin	Lumens	CRI
AXLK9800	15W Integrated LED	30K	950	80
AXLK9801	15W Integrated LED	30K	1,200	80

Ordering Example:

AXLK9800-BN-15W-30K-PC



Intertek

Prefix	Finish	Wattage	Kelvin/CCT	Options
AXLK9800	BN = Brushed Nickel	15W = 15 Watt Integrated LED	30K - 3000° Kelvin	PC = Pull Chain
AXLK9801	ORB = Oil Rubbed Bronze WH = White BK = Black			

Fan Light Kits

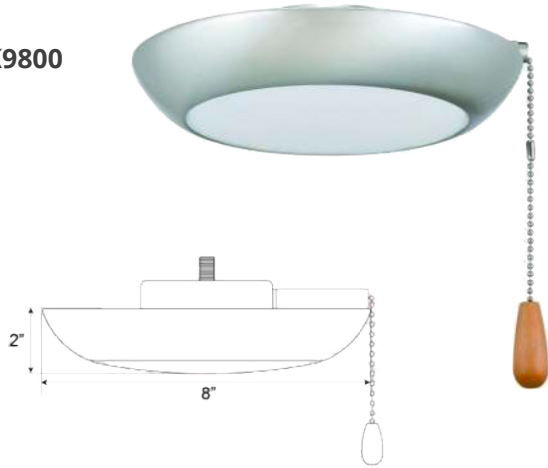
Adaptable Integrated LED Light Kits



Applications

Add a decorative touch to ceiling fans with classic style light kits.

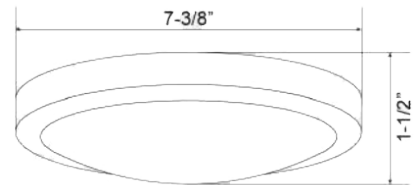
AXLK9800



Specification Features

ETL	Indoor Applications
Housing	Baked on Enamel or Plated Cold Rolled Steel
Lens	Acrylic
Lamping	Integrated LED
Mounting	Ceiling Fan. Includes all necessary hardware.
Finish Options	BK, BN, ORB, WH
Control	Wall Control or Pull Chain

AXLK9801
Ultra Slim



Light Kit

Part	Wattage	Kelvin	Lumens	CRI
AXLK9800	15W Integrated LED	30K	950	80
AXLK9801	15W Integrated LED	30K	1,200	80

Ordering Example:

AXLK9800-BN-15W-30K-PC



Intertek

Prefix	Finish	Wattage	Kelvin/CCT	Options
AXLK9800	BN = Brushed Nickel	15W = 15 Watt Integrated LED	30K - 3000° Kelvin	PC = Pull Chain
AXLK9801	ORB = Oil Rubbed Bronze WH = White BK = Black			

Ceiling Fans

1/2" Double Threaded Downrods



Applications

Where extra height is needed, decorative downrods are the perfect accessory. Downrods are available in a variety of sizes and finishes.



AXDR12-BC



AXDR12-BN



AXDR12-CS



AXDR12-ORB



AXDR12-PB



AXDR12-WH

Downrod Coupler



AXRC-BC



AXRC-BN



AXRC-CS



AXRC-ORB



AXRC-PB



AXRC-WH

Ordering Example:

AXDR12-24-BN



Intertek

Prefix	Length		Finish	
AXDR12 = 1/2" Double Threaded Downrod	12 = 12"	36 = 36"	BN = Brushed Nickel	CS = Cobblestone
AXRC = 1/2" Downrod Coupler	18 = 18"	48 = 48"	ORB = Oil Rubbed Bronze	PB = Polished Brass
	24 = 24"	60 = 60"	WH = White	
	30 = 30"	72 = 72"	BC = Brushed Chrome	

AXS-HUNDEMSEY

4 Blade Ceiling Fan with Light Kit



Specification Features

UL/ETL Listing	Dry Location
Blades	4 blades
Span	52"
Light Source	(2) E26 Socket for 10W A19 Bulb
Color Temp.	3000° Kelvin
Control	Wall Control (included)
Motor Size	153mm x 18mm
Down Rod	
Diffuser/Lens	White Glass



Ordering Example: AXHUNDEMSEY-20W-30K-WC



Prefix	Wattage	Color Temp.	Finish	Blades
AXHUNDEMSEY 20W = (2) E26 Socket for 10W A19 Bulb	30K = 3000° Kelvin	WH = White	WH = White	

AXS1047

3 Blade Outdoor Ceiling Fan



Specification Features

UL/ETL Listing	Wet Location
Construction	ABS Waterproof Blades
Blade Sweep	44"
Blades	3- Reverseible
Motor Type	AC - 172 x 14mm Motor
Voltage	120V
Blade Pitch	4"
Downrod Length	4"
Light Kit	Adaptable Wet Listed
Warranty	5 Years Normal Operation
Dimensions	44"W x 12.375"H
Control	Pull Chain
	Remote Control (optional, sold separately; indoor use only)
	Wall Control (optional, sold separately; indoor mounting only)

Ordering Example: AXS1047

Prefix	Finish	Blades	Light Kit	Kelvin/CCT	Options
AXS1047	BP = Brushed Pewter MBK = Matte Black OB = Oil Rubbed Bronze WH = White	BP = Brushed Pewter MBK = Matte Black OB = Oil Rubbed Bronze WH = White	Adaptable (Optional)	30K = 3000* Kelvin	Remote Control (sold separately; indoor only) Wall Control (sold separately; indoor only)



Ceiling Fans

Fan and Light Wall Controls



Applications

All of our ceiling fans, with the exception of our industrial fans, are equipped with pull chain speed control and a forward/reverse switch, providing 3-4 speeds in either direction. For your convenience, we also offer a selection of wall mounted speed controls for use with our fans.



AXWS-200

- 4 Speed Control
- Dual Slide
- White Finish
- Dimmer
- 4.625"H x 2.75"W
- 120V/60Hz



AXWS-202

- 3 Speed Control
- On/Off Control
- White Finish



Fan Blade Options



FB-BK
Black



FB-BLO
Bleached Oak



FB-BN
Brushed Nickel



FB-CH
Cherry



FB-DCH
Dark Cherry



FB-LO
Light Oak



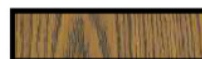
FB-MAH
Mahogany



FB-MAP
Maple



FB-RW
Rosewood



FB-OAK
Oak



FB-PO
Pickled Oak



FB-WAL
Walnut



FB-WO
Washed Oak



FB-WP
Washed Pine



FB-WH
White

Part numbers reflect single finishes. For reversible blade finishes, use two part numbers.

Ex: MAP/WO

Ceiling Fans

Fan and Light Wall Controls



Applications

All of our ceiling fans, with the exception of our industrial fans, are equipped with pull chain speed control and a forward/reverse switch, providing 3-4 speeds in either direction. For your convenience, we also offer a selection of wall mounted speed controls for use with our fans.



AXWS-200

- 4 Speed Control
- Dual Slide
- White Finish
- Dimmer
- 4.625"H x 2.75"W
- 120V/60Hz



AXWS-202

- 3 Speed Control
- On/Off Control
- White Finish



Fan Blade Options



FB-BK
Black



FB-BLO
Bleached Oak



FB-BN
Brushed Nickel



FB-CH
Cherry



FB-DCH
Dark Cherry



FB-LO
Light Oak



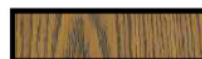
FB-MAH
Mahogany



FB-MAP
Maple



FB-RW
Rosewood



FB-OAK
Oak



FB-PO
Pickled Oak



FB-WAL
Walnut



FB-WO
Washed Oak



FB-WP
Washed Pine



FB-WH
White

Part numbers reflect single finishes. For reversible blade finishes, use two part numbers.

Ex: MAP/WO