

LED Outdoor

Decorative Wall Mount



AX3499
AX3500
AX3501



AX3506
AX3507

Applications

Ideal for entrances, walkways, rear doors, patios, multifamily, or single-family homes as well as commercial building applications.

Specification Features

UL or ETL Listing	Wet Locations
Housing	Cold Rolled Steel Baked on Enamel
Lens	White Acrylic Lens
Voltage	AC 120v
Light Source	10 watt LED A19 E26 Bulb (Sold Separately)
Kelvin	30K, 40K
Warranty	5 year normal operation
Mounting	Wall Mount. All necessary hardware included.
Glass Only	GL-AX3499 GL-AX3500 GL-AX3501 GL-AX3506 GL-AX3507

Suggested Lamp



LEDA110 • 30K • >80 CRI
LEDA112 • 40K • >80 CRI

Part	Wattage	Lumens	# of Sockets	Dimensions
AX3499	20w (2x 10)	1,600	2	10"W x 14"H x 6.25"Ext.
AX3500	20w (2x 10)	1,600	2	10"W x 18"H x 6.25"Ext.
AX3501	20w (2x 10)	1,600	2	10"W x 24"H x 6.25"Ext.
AX3506	20w (2x 10)	1,600	2	10"W x 18"H x 6.25"Ext.
AX3507	20w (2x 10)	1,600	2	10"W x 24"H x 6.25"Ext.

Ordering Example:

AX3500-20W-30K-BN

Prefix	Wattage	Kelvin/CCT	Finish	Options
AX3499	20W = 2x 10 Watt LED A19 Lamp	30K - 3000° Kelvin	ORB = Oil Rubbed Bronze	
AX3500		40K - 4000° Kelvin	BK = Black	
AX3501				
AX3506				
AX3507				



LED Outdoor

Decorative Wall Mount



AX3499
AX3500
AX3501



AX3506
AX3507

Applications

Ideal for entrances, walkways, rear doors, patios, multifamily, or single-family homes as well as commercial building applications.

Specification Features

UL or ETL Listing	Wet Locations
Housing	Cold Rolled Steel Baked on Enamel
Lens	White Acrylic Lens
Voltage	AC 120v
Light Source	10 watt LED A19 E26 Bulb (Sold Separately)
Kelvin	30K, 40K
Warranty	5 year normal operation
Mounting	Wall Mount. All necessary hardware included.
Glass Only	GL-AX3499 GL-AX3500 GL-AX3501 GL-AX3506 GL-AX3507

Suggested Lamp



LEDA110 • 30K • >80 CRI
LEDA112 • 40K • >80 CRI

Part	Wattage	Lumens	# of Sockets	Dimensions
AX3499	20w (2x 10)	1,600	2	10"W x 14"H x 6.25"Ext.
AX3500	20w (2x 10)	1,600	2	10"W x 18"H x 6.25"Ext.
AX3501	20w (2x 10)	1,600	2	10"W x 24"H x 6.25"Ext.
AX3506	20w (2x 10)	1,600	2	10"W x 18"H x 6.25"Ext.
AX3507	20w (2x 10)	1,600	2	10"W x 24"H x 6.25"Ext.

Ordering Example:

AX3500-20W-30K-BN

Prefix	Wattage	Kelvin/CCT	Finish	Options
AX3499	20W = 2x 10 Watt LED A19 Lamp	30K - 3000° Kelvin	ORB = Oil Rubbed Bronze	
AX3500		40K - 4000° Kelvin		
AX3501				
AX3506				
AX3507				



LED Outdoor

Decorative Wall Mount



AX3499
AX3500
AX3501



AX3506
AX3507

Applications

Ideal for entrances, walkways, rear doors, patios, multifamily, or single-family homes as well as commercial building applications.

Specification Features

UL or ETL Listing	Wet Locations
Housing	Cold Rolled Steel Baked on Enamel
Lens	White Acrylic Lens
Voltage	AC 120v
Light Source	10 watt LED A19 E26 Bulb (Sold Separately)
Kelvin	30K, 40K
Warranty	5 year normal operation
Mounting	Wall Mount. All necessary hardware included.
Glass Only	GL-AX3499 GL-AX3500 GL-AX3501 GL-AX3506 GL-AX3507

Suggested Lamp



LEDA110 • 30K • >80 CRI
LEDA112 • 40K • >80 CRI

Part	Wattage	Lumens	# of Sockets	Dimensions
AX3499	20w (2x 10)	1,600	2	10"W x 14"H x 6.25"Ext.
AX3500	20w (2x 10)	1,600	2	10"W x 18"H x 6.25"Ext.
AX3501	20w (2x 10)	1,600	2	10"W x 24"H x 6.25"Ext.
AX3506	20w (2x 10)	1,600	2	10"W x 18"H x 6.25"Ext.
AX3507	20w (2x 10)	1,600	2	10"W x 24"H x 6.25"Ext.

Ordering Example:

AX3500-20W-30K-BN

Prefix	Wattage	Kelvin/CCT	Finish	Options
AX3499	20W = 2x 10 Watt LED A19 Lamp	30K - 3000° Kelvin	ORB = Oil Rubbed Bronze	
AX3500		40K - 4000° Kelvin		
AX3501				
AX3506				
AX3507				



LED Outdoor

Decorative Wall Mount



AX3499
AX3500
AX3501



AX3506
AX3507

Applications

Ideal for entrances, walkways, rear doors, patios, multifamily, or single-family homes as well as commercial building applications.

Specification Features

UL or ETL Listing	Wet Locations
Housing	Cold Rolled Steel Baked on Enamel
Lens	White Acrylic Lens
Voltage	AC 120v
Light Source	10 watt LED A19 E26 Bulb (Sold Separately)
Kelvin	30K, 40K
Warranty	5 year normal operation
Mounting	Wall Mount. All necessary hardware included.
Glass Only	GL-AX3499 GL-AX3500 GL-AX3501 GL-AX3506 GL-AX3507

Suggested Lamp



LEDA110 • 30K • >80 CRI
LEDA112 • 40K • >80 CRI

Part	Wattage	Lumens	# of Sockets	Dimensions
AX3499	20w (2x 10)	1,600	2	10"W x 14"H x 6.25"Ext.
AX3500	20w (2x 10)	1,600	2	10"W x 18"H x 6.25"Ext.
AX3501	20w (2x 10)	1,600	2	10"W x 24"H x 6.25"Ext.
AX3506	20w (2x 10)	1,600	2	10"W x 18"H x 6.25"Ext.
AX3507	20w (2x 10)	1,600	2	10"W x 24"H x 6.25"Ext.

Ordering Example:

AX3500-20W-30K-BN

Prefix	Wattage	Kelvin/CCT	Finish	Options
AX3499	20W = 2x 10 Watt LED A19 Lamp	30K - 3000° Kelvin	ORB = Oil Rubbed Bronze	
AX3500		40K - 4000° Kelvin		
AX3501				
AX3506				
AX3507				



LED Outdoor

Decorative Wall Mount



AX3499
AX3500
AX3501



AX3506
AX3507

Applications

Ideal for entrances, walkways, rear doors, patios, multifamily, or single-family homes as well as commercial building applications.

Specification Features

UL or ETL Listing	Wet Locations
Housing	Cold Rolled Steel Baked on Enamel
Lens	White Acrylic Lens
Voltage	AC 120v
Light Source	10 watt LED A19 E26 Bulb (Sold Separately)
Kelvin	30K, 40K
Warranty	5 year normal operation
Mounting	Wall Mount. All necessary hardware included.
Glass Only	GL-AX3499 GL-AX3500 GL-AX3501 GL-AX3506 GL-AX3507

Suggested Lamp



LEDA110 • 30K • >80 CRI
LEDA112 • 40K • >80 CRI

Part	Wattage	Lumens	# of Sockets	Dimensions
AX3499	20w (2x 10)	1,600	2	10"W x 14"H x 6.25"Ext.
AX3500	20w (2x 10)	1,600	2	10"W x 18"H x 6.25"Ext.
AX3501	20w (2x 10)	1,600	2	10"W x 24"H x 6.25"Ext.
AX3506	20w (2x 10)	1,600	2	10"W x 18"H x 6.25"Ext.
AX3507	20w (2x 10)	1,600	2	10"W x 24"H x 6.25"Ext.

Ordering Example:

DC3500-20W-30K-BN

Prefix	Wattage	Kelvin/CCT	Finish	Options
AX3499	20W = 2x 10 Watt LED A19 Lamp	30K - 3000° Kelvin	ORB = Oil Rubbed Bronze	
AX3500		40K - 4000° Kelvin	BK = Black	
AX3501				
AX3506				
AX3507				



LED Outdoor

Decorative Wall Mount



AX3415
AX3516
AX3517



AX3508
AX3509
AX3510

Applications

Ideal for entrances, walkways, rear doors, patios, multifamily, or single-family homes as well as commercial building applications.

Specification Features

UL or ETL Listing	Wet Locations
Housing	Cold Rolled Steel Baked on Enamel
Lens	White Acrylic Lens
Voltage	AC 120v
Light Source	10 watt LED A19 E26 Bulb (Sold Separately)
Kelvin	30K, 40K
Warranty	5 year normal operation
Mounting	Wall Mount. All necessary hardware included.
Glass Only	GL-AX3508 GL-AX3509 GL-AX3510 GL-AX3515 GL-AX3516 GL-AX3517

Part	Wattage	Lumens	# of Sockets	Dimensions
AX3508	20w (2x 10)	1,600	2	10"W x 14"H x 6.25"Ext.
AX3509	20w (2x 10)	1,600	2	10"W x 18"H x 6.25"Ext.
AX3510	20w (2x 10)	1,600	2	10"W x 24"H x 6.25"Ext.
AX3515	20w (2x 10)	1,600	2	10"W x 14"H x 6.25"Ext.
AX3516	20w (2x 10)	1,600	2	10"W x 18"H x 6.25"Ext.
AX3517	20w (2x 10)	1,600	2	10"W x 24"H x 6.25"Ext.

Suggested Lamp



LEDA110 • 30K • >80 CRI
LEDA112 • 40K • >80 CRI

Ordering Example:

AX3515-20W-30K-BN

Prefix	Wattage	Kelvin/CCT	Finish	Options
AX3508	20W = 2x 10 Watt LED A19 Lamp	30K - 3000° Kelvin	ORB = Oil Rubbed Bronze	
AX3509		40K - 4000° Kelvin	BK = Black	
AX3510				
AX3515				
AX3516				
AX3517				



LED Outdoor

Decorative Wall Mount



AX3415
AX3516
AX3517



AX3508
AX3509
AX3510

Applications

Ideal for entrances, walkways, rear doors, patios, multifamily, or single-family homes as well as commercial building applications.

Specification Features

UL or ETL Listing	Wet Locations
Housing	Cold Rolled Steel Baked on Enamel
Lens	White Acrylic Lens
Voltage	AC 120v
Light Source	10 watt LED A19 E26 Bulb (Sold Separately)
Kelvin	30K, 40K
Warranty	5 year normal operation
Mounting	Wall Mount. All necessary hardware included.
Glass Only	GL-AX3508 GL-AX3509 GL-AX3510 GL-AX3515 GL-AX3516 GL-AX3517

Part	Wattage	Lumens	# of Sockets	Dimensions
AX3508	20w (2x 10)	1,600	2	10"W x 14"H x 6.25"Ext.
AX3509	20w (2x 10)	1,600	2	10"W x 18"H x 6.25"Ext.
AX3510	20w (2x 10)	1,600	2	10"W x 24"H x 6.25"Ext.
AX3515	20w (2x 10)	1,600	2	10"W x 14"H x 6.25"Ext.
AX3516	20w (2x 10)	1,600	2	10"W x 18"H x 6.25"Ext.
AX3517	20w (2x 10)	1,600	2	10"W x 24"H x 6.25"Ext.

Suggested Lamp



LEDA110 • 30K • >80 CRI
LEDA112 • 40K • >80 CRI

Ordering Example:

AX3515-20W-30K-BN

Prefix	Wattage	Kelvin/CCT	Finish	Options
AX3508	20W = 2x 10 Watt LED A19 Lamp	30K - 3000° Kelvin	ORB = Oil Rubbed Bronze	
AX3509		40K - 4000° Kelvin	BK = Black	
AX3510				
AX3515				
AX3516				
AX3517				



LED Outdoor

Decorative Wall Mount



AX3415
AX3516
AX3517



AX3508
AX3509
AX3510

Applications

Ideal for entrances, walkways, rear doors, patios, multifamily, or single-family homes as well as commercial building applications.

Specification Features

UL or ETL Listing	Wet Locations
Housing	Cold Rolled Steel Baked on Enamel
Lens	White Acrylic Lens
Voltage	AC 120v
Light Source	10 watt LED A19 E26 Bulb (Sold Separately)
Kelvin	30K, 40K
Warranty	5 year normal operation
Mounting	Wall Mount. All necessary hardware included.
Glass Only	GL-AX3508 GL-AX3509 GL-AX3510 GL-AX3515 GL-AX3516 GL-AX3517

Part	Wattage	Lumens	# of Sockets	Dimensions
AX3508	20w (2x 10)	1,600	2	10"W x 14"H x 6.25"Ext.
AX3509	20w (2x 10)	1,600	2	10"W x 18"H x 6.25"Ext.
AX3510	20w (2x 10)	1,600	2	10"W x 24"H x 6.25"Ext.
AX3515	20w (2x 10)	1,600	2	10"W x 14"H x 6.25"Ext.
AX3516	20w (2x 10)	1,600	2	10"W x 18"H x 6.25"Ext.
AX3517	20w (2x 10)	1,600	2	10"W x 24"H x 6.25"Ext.

Suggested Lamp



LEDA110 • 30K • >80 CRI
LEDA112 • 40K • >80 CRI

Ordering Example:

AX3515-20W-30K-BN

Prefix	Wattage	Kelvin/CCT	Finish	Options
AX3508	20W = 2x 10 Watt LED A19 Lamp	30K - 3000° Kelvin	ORB = Oil Rubbed Bronze	
AX3509		40K - 4000° Kelvin	BK = Black	
AX3510				
AX3515				
AX3516				
AX3517				



LED Outdoor

Decorative Wall Mount



Applications

Ideal for entrances, walkways, rear doors, patios, multifamily, or single-family homes as well as commercial building applications.

Specification Features

UL or ETL Listing	Wet Locations
Housing	Cold Rolled Steel
Lens	Frosted Glass
Voltage	AC 120v
Light Source	10 watt LED A19 E26 Bulb (Sold Separately)
Kelvin	30K, 40K
Warranty	5 year normal operation
Mounting	Wall Mount. All necessary hardware included.
Glass Only	GL-AX3512 GL-AX3513 GL-AX3514

Suggested Lamp



LEDA110 • 30K • >80 CRI
LEDA112 • 40K • >80 CRI

Part	Wattage	Lumens	# of Sockets	Dimensions
AX3512	10w (1x 10)	800	1	5.5"W x 6.5"H x 4"Ext.
AX3513	20w (2x 10)	1,600	2	11.75"W x 13"H x 6.75"Ext.
AX3514	20w (2x 10)	1,600	2	8"W x 16"H x 6"Ext.

Ordering Example:

AX3512-10W-30K-BN



Prefix	Wattage	Kelvin/CCT	Finish	Options
AX3512	10W = 10 Watt LED A19 Lamp	30K - 3000° Kelvin	BN = Brushed Nickel	
AX3513	20W = 2x 10 watt LED A19	40K - 4000° Kelvin	ORB = Oil Rubbed Bronze	
AX3514				

LED Outdoor

Decorative Wall Mount



Applications

Ideal for entrances, walkways, rear doors, patios, multifamily, or single-family homes as well as commercial building applications.

Specification Features

UL or ETL Listing	Wet Locations
Housing	Cold Rolled Steel
Lens	Frosted Glass
Voltage	AC 120v
Light Source	10 watt LED A19 E26 Bulb (Sold Separately)
Kelvin	30K, 40K
Warranty	5 year normal operation
Mounting	Wall Mount. All necessary hardware included.
Glass Only	GL-AX3512 GL-AX3513 GL-DAX514

Suggested Lamp



LEDA110 • 30K • >80 CRI
LEDA112 • 40K • >80 CRI

Part	Wattage	Lumens	# of Sockets	Dimensions
AX3512	10w (1x 10)	800	1	5.5"W x 6.5"H x 4"Ext.
AX3513	20w (2x 10)	1,600	2	11.75"W x 13"H x 6.75"Ext.
AX3514	20w (2x 10)	1,600	2	8"W x 16"H x 6"Ext.

Ordering Example:

AX3512-10W-30K-BN



Prefix	Wattage	Kelvin/CCT	Finish	Options
AX3512	10W = 10 Watt LED A19 Lamp	30K - 3000° Kelvin	BN = Brushed Nickel	
AX3513	20W = 2x 10 watt LED A19	40K - 4000° Kelvin	ORB = Oil Rubbed Bronze	
AX3514				

LED Outdoor

Decorative Wall Mount



Applications

Ideal for entrances, walkways, rear doors, patios, multifamily, or single-family homes as well as commercial building applications.

Specification Features

UL or ETL Listing	Wet Locations
Housing	Cold Rolled Steel
Lens	Frosted Glass
Voltage	AC 120v
Light Source	10 watt LED A19 E26 Bulb (Sold Separately)
Kelvin	30K, 40K
Warranty	5 year normal operation
Mounting	Wall Mount. All necessary hardware included.
Glass Only	GL-AX3512 GL-AX3513 GL-AX3514

Suggested Lamp



LEDA110 • 30K • >80 CRI
LEDA112 • 40K • >80 CRI

Part	Wattage	Lumens	# of Sockets	Dimensions
AX3512	10w (1x 10)	800	1	5.5"W x 6.5"H x 4"Ext.
AX3513	20w (2x 10)	1,600	2	11.75"W x 13"H x 6.75"Ext.
AX3514	20w (2x 10)	1,600	2	8"W x 16"H x 6"Ext.

Ordering Example:

AX3512-10W-30K-BN



Prefix	Wattage	Kelvin/CCT	Finish	Options
AX3512	10W = 10 Watt LED A19 Lamp	30K - 3000° Kelvin	BN = Brushed Nickel	
AX3513	20W = 2x 10 watt LED A19	40K - 4000° Kelvin	ORB = Oil Rubbed Bronze	
AX3514				

LED Outdoor

Decorative Wall Mount



AX3415
AX3516
AX3517



AX3508
AX3509
AX3510

Applications

Ideal for entrances, walkways, rear doors, patios, multifamily, or single-family homes as well as commercial building applications.

Specification Features

UL or ETL Listing	Wet Locations
Housing	Cold Rolled Steel Baked on Enamel
Lens	White Acrylic Lens
Voltage	AC 120v
Light Source	10 watt LED A19 E26 Bulb (Sold Separately)
Kelvin	30K, 40K
Warranty	5 year normal operation
Mounting	Wall Mount. All necessary hardware included.
Glass Only	GL-AX3508 GL-AX3509 GL-AX3510 GL-AX3515 GL-AX3516 GL-AX3517

Part	Wattage	Lumens	# of Sockets	Dimensions
AX3508	20w (2x 10)	1,600	2	10"W x 14"H x 6.25"Ext.
AX3509	20w (2x 10)	1,600	2	10"W x 18"H x 6.25"Ext.
AX3510	20w (2x 10)	1,600	2	10"W x 24"H x 6.25"Ext.
AX3515	20w (2x 10)	1,600	2	10"W x 14"H x 6.25"Ext.
AX3516	20w (2x 10)	1,600	2	10"W x 18"H x 6.25"Ext.
AX3517	20w (2x 10)	1,600	2	10"W x 24"H x 6.25"Ext.

Suggested Lamp



LEDA110 • 30K • >80 CRI
LEDA112 • 40K • >80 CRI

Ordering Example:

AX3515-20W-30K-BN

Prefix	Wattage	Kelvin/CCT	Finish	Options
AX3508	20W = 2x 10 Watt LED A19 Lamp	30K - 3000° Kelvin	ORB = Oil Rubbed Bronze	
AX3509		40K - 4000° Kelvin	BK = Black	
AX3510				
AX3515				
AX3516				
AX3517				



LED Outdoor

Decorative Wall Mount



AX3415
AX3516
AX3517



AX3508
AX3509
AX3510

Applications

Ideal for entrances, walkways, rear doors, patios, multifamily, or single-family homes as well as commercial building applications.

Specification Features

UL or ETL Listing	Wet Locations
Housing	Cold Rolled Steel Baked on Enamel
Lens	White Acrylic Lens
Voltage	AC 120v
Light Source	10 watt LED A19 E26 Bulb (Sold Separately)
Kelvin	30K, 40K
Warranty	5 year normal operation
Mounting	Wall Mount. All necessary hardware included.
Glass Only	GL-AX3508 GL-AX3509 GL-AX3510 GL-AX3515 GL-AX3516 GL-AX3517

Part	Wattage	Lumens	# of Sockets	Dimensions
AX3508	20w (2x 10)	1,600	2	10"W x 14"H x 6.25"Ext.
AX3509	20w (2x 10)	1,600	2	10"W x 18"H x 6.25"Ext.
AX3510	20w (2x 10)	1,600	2	10"W x 24"H x 6.25"Ext.
AX3515	20w (2x 10)	1,600	2	10"W x 14"H x 6.25"Ext.
AX3516	20w (2x 10)	1,600	2	10"W x 18"H x 6.25"Ext.
AX3517	20w (2x 10)	1,600	2	10"W x 24"H x 6.25"Ext.

Suggested Lamp



LEDA110 • 30K • >80 CRI
LEDA112 • 40K • >80 CRI

Ordering Example:

AX3515-20W-30K-BN

Prefix	Wattage	Kelvin/CCT	Finish	Options
AX3508	20W = 2x 10 Watt LED A19 Lamp	30K - 3000° Kelvin	ORB = Oil Rubbed Bronze	
AX3509		40K - 4000° Kelvin	BK = Black	
AX3510				
AX3515				
AX3516				
AX3517				



LED Outdoor

Decorative Wall Mount



AX3415
AX3516
AX3517



AX3508
AX3509
AX3510

Applications

Ideal for entrances, walkways, rear doors, patios, multifamily, or single-family homes as well as commercial building applications.

Specification Features

UL or ETL Listing	Wet Locations
Housing	Cold Rolled Steel Baked on Enamel
Lens	White Acrylic Lens
Voltage	AC 120v
Light Source	10 watt LED A19 E26 Bulb (Sold Separately)
Kelvin	30K, 40K
Warranty	5 year normal operation
Mounting	Wall Mount. All necessary hardware included.
Glass Only	GL-AX3508 GL-AX3509 GL-AX3510 GL-AX3515 GL-AX3516 GL-AX3517

Part	Wattage	Lumens	# of Sockets	Dimensions
AX3508	20w (2x 10)	1,600	2	10"W x 14"H x 6.25"Ext.
AX3509	20w (2x 10)	1,600	2	10"W x 18"H x 6.25"Ext.
AX3510	20w (2x 10)	1,600	2	10"W x 24"H x 6.25"Ext.
AX3515	20w (2x 10)	1,600	2	10"W x 14"H x 6.25"Ext.
AX3516	20w (2x 10)	1,600	2	10"W x 18"H x 6.25"Ext.
AX3517	20w (2x 10)	1,600	2	10"W x 24"H x 6.25"Ext.

Suggested Lamp



LEDA110 • 30K • >80 CRI
LEDA112 • 40K • >80 CRI

Ordering Example:

AX3515-20W-30K-BN

Prefix	Wattage	Kelvin/CCT	Finish	Options
AX3508	20W = 2x 10 Watt LED A19 Lamp	30K - 3000° Kelvin	ORB = Oil Rubbed Bronze	
AX3509		40K - 4000° Kelvin	BK = Black	
AX3510				
AX3515				
AX3516				
AX3517				



AX3540

Decorative Wall Mount



Applications

Ideal for entrances, walkways, rear doors, patios, multifamily, or single-family homes as well as commercial building applications.

Specification Features

UL or ETL Listing	Damp Locations
Housing	Aluminum
Lens	White Acrylic
Voltage	AC 120v
Light Source	10 watt LED A19 E26 Bulb (Sold Separately)
Kelvin	30K, 40K
Warranty	5 year normal operation
Mounting	Wall Mount. All necessary hardware included.
Glass Only	GL-AX3540

Suggested Lamp



LEDA110 • 30K • >80 CRI
LEDA112 • 40K • >80 CRI

Part	Wattage	Lumens	# of Sockets	Dimensions
AX3540	10	800	1	7.13"W x 16.25"H x 4"Ext.

Ordering Example:

AX3540-10W-30K-BN



Prefix	Wattage	Kelvin/CCT	Finish	Options
AX3540	10W = 10 Watt LED A19 Lamp	30K - 3000° Kelvin 40K - 4000° Kelvin	BN = Brushed Nickel ORB = Oil Rubbed Bronze	

AX3608

1 Light Outdoor Wall Sconce



Specification Features

UL/ETL Listing	Wet
Construction	Steel
Lens/Diffuser	Frosted Glass
Light Source	(1) E26 Socket for 10W A19 Bulb
Voltage	120v
Warranty	5 year normal operation
Dimensions	11"H x 5.5"W x 5.5"Ext.

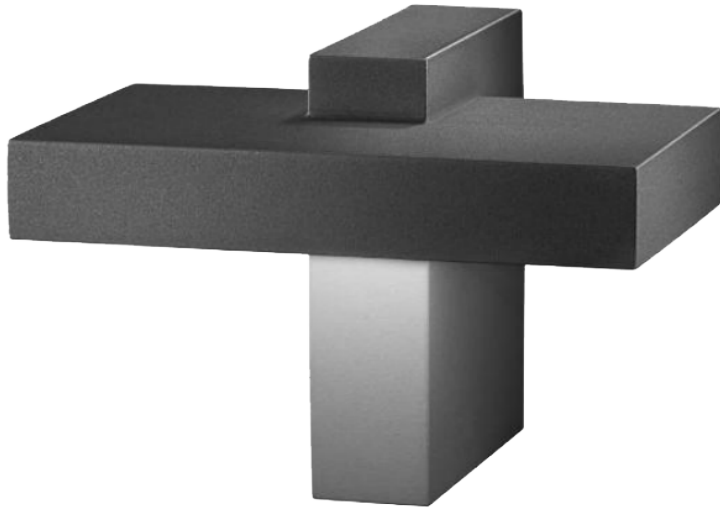


Ordering Example: AX3608-10W-30K-BN

Prefix	Wattage	Light Color	Finish
AX3608	10W = (1) 10W A19 Bulb - E26 Base	30K = 3000° Kelvin	BN = Brushed Nickel

AX3809

LED Outdoor Wall Mount



Specification Features

UL or ETL Listing	Damp Locations
Housing	Cold Rolled Steel • Baked Enamel
Lens/Diffuser	Matte White Acrylic
Voltage	AC 120V
Light Source	Integrated LED
Wattage	6W
Lumens	480
CRI	>80
Kelvin	30K, 40K
Warranty	5 year normal operation
Dimensions	9.8"W x 7.9"H x 8.9" Ext.
Mounting	Wall Mount. All necessary hardware included.

Ordering Example:

AX3809-6W-30K



Prefix	Wattage	Kelvin/CCT	Finish	Options
AX3809	6W	30K = 3000°K 40K = 4000°K	BK = Black BN = Brushed Nickel ORB = Oil Rubbed Bronze WH = White	

AX3857

LED Outdoor Wall Mount



Specification Features

UL or ETL Listing	Damp Locations
Housing	Cold Rolled Steel • Baked Enamel
Lens/Diffuser	Matte White Acrylic
Voltage	AC 120V
Light Source	Integrated LED
Wattage	10W
Lumens	600
CRI	>80
Kelvin	30K, 40K
Warranty	5 year normal operation
Dimensions	4.53"W x 11.4"H x 2.8" Ext.
Mounting	Wall Mount. All necessary hardware included.

Ordering Example:

AX3857-10W-30K



Prefix	Wattage	Kelvin/CCT	Finish	Options
AX3857	10W	30K = 3000°K 40K = 4000°K	BK = Black BN = Brushed Nickel ORB = Oil Rubbed Bronze WH = White	

AX3862

LED Outdoor Wall Mount



Specification Features

UL or ETL Listing	Damp Locations
Housing	Cold Rolled Steel • Baked Enamel
Lens/Diffuser	Matte White Acrylic
Voltage	AC 120V
Light Source	Integrated LED
Wattage	10W
Lumens	600
CRI	>80
Kelvin	30K, 40K
Warranty	5 year normal operation
Dimensions	7"W x 4"H x 3" Ext.
Mounting	Wall Mount. All necessary hardware included.

Ordering Example:

AX3862-10W-30K



Prefix	Wattage	Kelvin/CCT	Finish	Options
AX3862	10W	30K = 3000°K 40K = 4000°K	BK = Black BN = Brushed Nickel ORB = Oil Rubbed Bronze WH = White	

AX5014

1 Light Outdoor Wall Sconce



Specification Features

UL/ETL Listing	Wet Location
Construction	Steel
Lens/Diffuser	
Light Source	(1) E26 Socket for 10W E26 Bulb
Voltage	120V
Warranty	5 Years Normal Operation
Dimensions	8.5"W x 12"H x 10.5"Ext.

Ordering Example: AX5014-10W-30K-BN



Prefix	Wattage	Color Temp.	Finish
AX5014	10W = (1) E26 Socket for 10W T10 Bulb	30K = 3000° Kelvin 40K = 4000° Kelvin	BK = Black ORB = Oil Rubbed Bronze

LED Outdoor

Decorative Wall Mount



AX5580

Applications

Ideal for entrances, walkways, rear doors, patios, multifamily, or single-family homes as well as commercial building applications.

Specification Features

UL or ETL Listing	Wet Locations
Housing	Cold Rolled Steel • Baked Enamel
Voltage	AC 120v
Light Source	10 watt LED A19 E26 Bulb (Sold Separately)
Kelvin	30K, 40K
Warranty	5 year normal operation
Mounting	Wall Mount. All necessary hardware included.



AX5014



AX5015

Suggested Lamp



LEDA110 • 30K • >80 CRI
LEDA112 • 40K • >80 CRI

Part	Wattage	Lumens	# of Sockets	Dimensions
AX5014	10	800	1	8.75"W x 10.5"H x 10.5"Ext.
AX5015	10	800	1	8.75"W x 10.5"H x 10.5"Ext.
AX5580	10	800	1	7"W x 12.5"H x 7.75"Ext.

Ordering Example:

AX5014-10W-30K-BK



Prefix	Wattage	Kelvin/CCT	Finish	Options
AX5014	10W = 10 Watt LED A19 Lamp	30K - 3000° Kelvin	ORB = Oil Rubbed Bronze	
AX5015		40K - 4000° Kelvin	BK = Black	
AX5580			SI = Silver (DC5580)	
			WB = Weathered Brass (DC5580)	

AX5026

LED Outdoor Wall Sconce



Specification Features

UL/ETL Listing	Wet Location
Construction	
Lens/Diffuser	White Glass
Light Source	13W Integrated LED
Lumens	769
CRI	83
Dimmable	Yes
Voltage	120V
Warranty	5 year normal operation
Dimensions	5.25"W x 12"H x 1.75"Ext.

Ordering Example: AX5026-13W-30K-BZ



Prefix	Wattage	Color Temp.	Finish
AX5026	13W = 13 watt Integrated LED	30K = 3000° Kelvin	BK = Black

AX5138

Carport Wall Mount



Applications

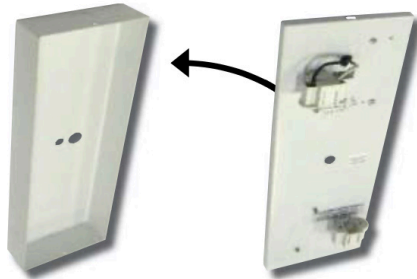
Ideal for entrances, walkways, rear doors, patios, multifamily, or single-family homes as well as commercial building applications.



Specification Features

UL or ETL Listing	Wet Locations
Housing	Stamped Steel w/ Powder Coat
Lens	Clear Polycarbonate
Voltage	AC 120v
Light Source	10 watt LED A19 E26 Bulb (Sold Separately)
Warranty	5 year normal operation
Mounting	Ceiling or wall mount. Knock-outs on both ends for continuous runs. Includes all necessary hardware.

Easy Installation



Suggested Lamp



LED010 • 30K • >80 CRI
LED012 • 40K • >80 CRI

Part	Wattage	Lumens	CRI	Kelvin	Dimensions
AX5138	20w (2x 10w)	1,400lm	>80	30K, 40K	4.5"W x 10"H x 2.5"Ext.

Ordering Example:

AX5138-WH-20W-30K

Prefix	Finish	Wattage	Kelvin/CCT	Options
AX5138	WH = White BK = Black	20W = 2x 10 watt LED A19	30K - 3000° Kelvin 40K - 4000° Kelvin	PC = Photocell



AX5230

LED Outdoor



Specification Features

UL/ETL Rating	Damp Location
Light Source	10W (1 x 10W A19 Lamp) E26 Socket
Construction	Die Cast Aluminum
Finish	Black, Bronze
Lens/Diffuser	Ribbed Polycarbonate
Mounting	Wall
Dimensions	3.5"W x 7"H x 5.5"Ext.

Ordering Example:

AX5230-10W-BK

Prefix	Wattage	Finish	
AX5230	10W = 1 x 10w A19 Lamp (E26 Socket)	BK = Black BZ = Bronze	



LED Outdoor

Decorative Wall Mount



AX5234
White Opal Glass



AX5235
White Opal Glass



AX5570
Clear Seeded Glass

Applications

Ideal for entrances, walkways, rear doors, patios, multifamily, or single-family homes as well as commercial building applications.

Specification Features

UL or ETL Listing	Wet Locations
Housing	Cold Rolled Steel
Voltage	AC 120v
Light Source	10 watt LED A19 E26 Bulb (Sold Separately)
Kelvin	30K, 40K
Warranty	5 year normal operation
Mounting	Wall Mount. All necessary hardware included.
Glass Only	GL-AX5234 GL-AX5235 GL-AX5570

Suggested Lamp



LEDA110 • 30K • >80 CRI
LEDA112 • 40K • >80 CRI

Part	Wattage	Lumens	# of Sockets	Dimensions
AX5234	10	800	1	6"W x 7.25"H x 6"Ext.
AX5235	10	800	1	6"W x 7.25"H x 6"Ext.
AX5570	10	800	1	5"W x 11.25"H x 9.25"Ext.

Ordering Example:

AX5234-10W-30K-BK

Prefix	Wattage	Kelvin/CCT	Finish	Options
AX5234	10W = 10 Watt LED A19 Lamp	30K - 3000° Kelvin	ORB = Oil Rubbed Bronze	
AX5235		40K - 4000° Kelvin	BK = Black	
AX5570				



LED Outdoor

Decorative Wall Mount



Applications

Ideal for entrances, walkways, rear doors, patios, multifamily, or single-family homes as well as commercial building applications.



AX5234
White Opal Glass



AX5235
White Opal Glass



AX5570
Clear Seeded Glass

Specification Features

UL or ETL Listing	Wet Locations
Housing	Cold Rolled Steel
Voltage	AC 120v
Light Source	10 watt LED A19 E26 Bulb (Sold Separately)
Kelvin	30K, 40K
Warranty	5 year normal operation
Mounting	Wall Mount. All necessary hardware included.
Glass Only	GL-AX5234 GL-AX5235 GL-AX5570

Suggested Lamp



LEDA110 • 30K • >80 CRI
LEDA112 • 40K • >80 CRI

Part	Wattage	Lumens	# of Sockets	Dimensions
AX5234	10	800	1	6"W x 7.25"H x 6"Ext.
AX5235	10	800	1	6"W x 7.25"H x 6"Ext.
AX5570	10	800	1	5"W x 11.25"H x 9.25"Ext.

Ordering Example:

AX5234-10W-30K-BK

Prefix	Wattage	Kelvin/CCT	Finish	Options
AX5234	10W = 10 Watt LED A19 Lamp	30K - 3000° Kelvin	ORB = Oil Rubbed Bronze	
AX5235		40K - 4000° Kelvin	BK = Black	
AX5570				



AX5284

LED Bath Vanity



Specification Features

UL/ETL Listing	Wet Location
Construction	Steel
Lens/Diffuser	White Glass
Light Source	(1) E26 Socket for 10W A19 Bulb
Voltage	120V
Warranty	5 Years Normal Operation
Dimensions	4.5"W x 8.5"H x 6"Ext.

Ordering Example: AX5284-10W-30K-BK



Prefix	Wattage	Color Temp.	Finish
AX5284	10W = (1) 10W A19 Bulb - E26 Base	30K = 3000° Kelvin	BK = Black

AX5300

Outdoor Wall Sconce



Specification Features

UL/ETL Listing	Wet Location
Construction	
Lens/Diffuser	Matte White Glass
Light Source	(2) E26 Socket for A19 Lamp
Voltage	120V
Warranty	5 year normal operation
Dimensions	4.75"W x 15.75"H x 4.5"Ext.

Ordering Example: AX5300-20W-30K-BK



Prefix	Wattage	Color Temp.	Finish
AX5300	20W = (2) E26 Socket for 10 watt A19 Lamp	30K = 3000° Kelvin	BK = Black

LED Outdoor

Decorative Wall Mount



AX5314



AX5316



AX5317

Applications

Ideal for entrances, walkways, rear doors, patios, multifamily, or single-family homes as well as commercial building applications.

Specification Features

UL or ETL Listing	Wet Locations
Housing	Die Cast Aluminum / Stamped Steel
Lens	White Frosted Lens
Voltage	AC 120v
Light Source	10 watt LED A19 E26 Bulb (Sold Separately)
Kelvin	30K, 40K
Warranty	5 year normal operation
Mounting	Wall Mount. All necessary hardware included.
Glass Only	GL-AX5314 GL-AX5316 GL-AX5317

Suggested Lamp



LEDA110 • 30K • >80 CRI
LEDA112 • 40K • >80 CRI

Part	Wattage	Lumens	CRI	Kelvin	Dimensions
AX5314	10w	800lm	>80	30K, 40K	10.25"W x 5.25"Ext.
AX5316	10w	800lm	>80	30K, 40K	10.25"W x 5.25"Ext.
AX5317	10w	800lm	>80	30K, 40K	10.25"W x 5.25"Ext.



Ordering Example:

AX5314-10W-30K-BK

Prefix	Wattage	Kelvin/CCT	Finish	Options
AX5314	10W = 10 Watt LED A19 Lamp	30K - 3000° Kelvin	BK = Black	
AX5316		40K - 4000° Kelvin		
AX5317				

LED Outdoor

Decorative Wall Mount



AX5314



AX5316



AX5317

Applications

Ideal for entrances, walkways, rear doors, patios, multifamily, or single-family homes as well as commercial building applications.

Specification Features

UL or ETL Listing	Wet Locations
Housing	Die Cast Aluminum / Stamped Steel
Lens	White Frosted Lens
Voltage	AC 120v
Light Source	10 watt LED A19 E26 Bulb (Sold Separately)
Kelvin	30K, 40K
Warranty	5 year normal operation
Mounting	Wall Mount. All necessary hardware included.
Glass Only	GL-AX5314 GL-AX5316 GL-AX5317

Suggested Lamp



LEDA110 • 30K • >80 CRI
LEDA112 • 40K • >80 CRI

Part	Wattage	Lumens	CRI	Kelvin	Dimensions
AX5314	10w	800lm	>80	30K, 40K	10.25"W x 5.25"Ext.
AX5316	10w	800lm	>80	30K, 40K	10.25"W x 5.25"Ext.
AX5317	10w	800lm	>80	30K, 40K	10.25"W x 5.25"Ext.



Ordering Example:

AX5314-10W-30K-BK

Prefix	Wattage	Kelvin/CCT	Finish	Options
AX5314	10W = 10 Watt LED A19 Lamp	30K - 3000° Kelvin	BK = Black	
AX5316		40K - 4000° Kelvin		
AX5317				

LED Outdoor

Decorative Wall Mount



AX5314



AX5316



AX5317

Applications

Ideal for entrances, walkways, rear doors, patios, multifamily, or single-family homes as well as commercial building applications.

Specification Features

UL or ETL Listing	Wet Locations
Housing	Die Cast Aluminum / Stamped Steel
Lens	White Frosted Lens
Voltage	AC 120v
Light Source	10 watt LED A19 E26 Bulb (Sold Separately)
Kelvin	30K, 40K
Warranty	5 year normal operation
Mounting	Wall Mount. All necessary hardware included.
Glass Only	GL-AX5314 GL-AX5316 GL-AX5317

Suggested Lamp



LEDA110 • 30K • >80 CRI
LEDA112 • 40K • >80 CRI

Part	Wattage	Lumens	CRI	Kelvin	Dimensions
AX5314	10w	800lm	>80	30K, 40K	10.25"W x 5.25"Ext.
AX5316	10w	800lm	>80	30K, 40K	10.25"W x 5.25"Ext.
AX5317	10w	800lm	>80	30K, 40K	10.25"W x 5.25"Ext.



Ordering Example:

AX5314-10W-30K-BK

Prefix	Wattage	Kelvin/CCT	Finish	Options
AX5314	10W = 10 Watt LED A19 Lamp	30K - 3000° Kelvin	BK = Black	
AX5316		40K - 4000° Kelvin		
AX5317				

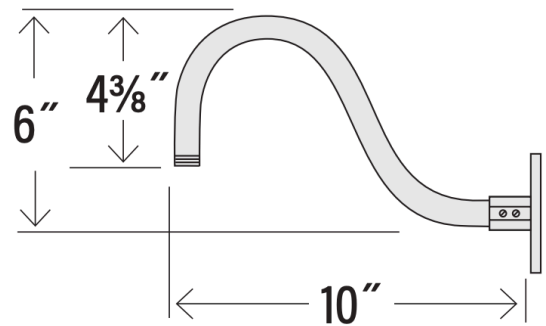
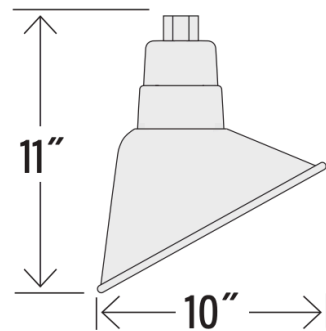
AX5417

Outdoor Wall Sconce



Specification Features

UL/ETL Listing	Wet Location
Construction	Metal
Lens/Diffuser	None
Light Source	(1) E26 Socket for A19 Lamp
Voltage	120V
Warranty	5 year normal operation
Dimensions	10"W x 15.375"H x 15"D.



Ordering Example: AX5417-10W-30K-BK



Prefix	Wattage	Color Temp.	Finish
AX5417	10W = (1) 10 watt A19 Lamp - E26 Base	30K = 3000° Kelvin	BK = Black

LED Outdoor

Decorative Wall Mount



Applications

Ideal for entrances, walkways, rear doors, patios, multifamily, or single-family homes as well as commercial building applications.

Specification Features

UL or ETL Listing	Wet Locations
Housing	Die Cast Aluminum
Voltage	AC 120v
Light Source	10 watt LED A19 E26 Bulb (Sold Separately)
Kelvin	30K, 40K
Warranty	5 year normal operation
Mounting	Wall Mount. All necessary hardware included.



AX5506
Wall Mount
Up or Down Light



AX5508
Wall Mount
Up & Down Light



AX5516
Ceiling Mount



AX5504
Optional Baffle

Suggested Lamp



LEDA110 • 30K • >80 CRI
LEDA112 • 40K • >80 CRI

Part	Wattage	Lumens	CRI	Kelvin	Dimensions
AX5506	10w	800lm	>80	30K, 40K	4.38"W x 7"H x 7.5"Ext.
AX5508	20w (2x 10w)	1,600lm	>80	30K, 40K	4.5"W x 12"H x 7.5"Ext.
AX5516	10w	800lm	>80	30K, 40K	4.38"W x 7.25"H x 7.5"Ext.

Ordering Example:

AX5506-10W-30K-BK-DC5504



Prefix	Wattage	Kelvin/CCT	Finish	Options
AX5506	10W = 10 Watt LED A19 Lamp	30K - 3000° Kelvin	ORB = Oil Rubbed Bronze	DC5504 = Optional Baffle
AX5508	20W = 2x 10 Watt LED A19 Lamp	40K - 4000° Kelvin	BK = Black	
AX5516				

LED Outdoor

Decorative Wall Mount



Applications

Ideal for entrances, walkways, rear doors, patios, multifamily, or single-family homes as well as commercial building applications.

Specification Features

UL or ETL Listing	Wet Locations
Housing	Die Cast Aluminum
Voltage	AC 120v
Light Source	10 watt LED A19 E26 Bulb (Sold Separately)
Kelvin	30K, 40K
Warranty	5 year normal operation
Mounting	Wall Mount. All necessary hardware included.



AX5506
Wall Mount
Up or Down Light



AX5508
Wall Mount
Up & Down Light



AX5516
Ceiling Mount



AX5504
Optional Baffle

Suggested Lamp



LEDA110 • 30K • >80 CRI
LEDA112 • 40K • >80 CRI

Part	Wattage	Lumens	CRI	Kelvin	Dimensions
AX5506	10w	800lm	>80	30K, 40K	4.38"W x 7"H x 7.5"Ext.
AX5508	20w (2x 10w)	1,600lm	>80	30K, 40K	4.5"W x 12"H x 7.5"Ext.
AX5516	10w	800lm	>80	30K, 40K	4.38"W x 7.25"H x 7.5"Ext.

Ordering Example:

AX5506-10W-30K-BK-DC5504



Prefix	Wattage	Kelvin/CCT	Finish	Options
AX5506	10W = 10 Watt LED A19 Lamp	30K - 3000° Kelvin	ORB = Oil Rubbed Bronze	AX5504 = Optional Baffle
AX5508	20W = 2x 10 Watt LED A19 Lamp	40K - 4000° Kelvin	BK = Black	
AX5516			AB = Antique Brass	

LED Outdoor

Decorative Wall Mount



Applications

Ideal for entrances, walkways, rear doors, patios, multifamily, or single-family homes as well as commercial building applications.

Specification Features

UL or ETL Listing	Wet Locations
Housing	Die Cast Aluminum
Voltage	AC 120v
Light Source	10 watt LED A19 E26 Bulb (Sold Separately)
Kelvin	30K, 40K
Warranty	5 year normal operation
Mounting	Wall Mount. All necessary hardware included.



AX5506
Wall Mount
Up or Down Light



AX5508
Wall Mount
Up & Down Light



AX5516
Ceiling Mount



AX5504
Optional Baffle

Suggested Lamp



LEDA110 • 30K • >80 CRI
LEDA112 • 40K • >80 CRI

Part	Wattage	Lumens	CRI	Kelvin	Dimensions
AX5506	10w	800lm	>80	30K, 40K	4.38"W x 7"H x 7.5"Ext.
AX5508	20w (2x 10w)	1,600lm	>80	30K, 40K	4.5"W x 12"H x 7.5"Ext.
AX5516	10w	800lm	>80	30K, 40K	4.38"W x 7.25"H x 7.5"Ext

Ordering Example:

AX5506-10W-30K-BK-DC5504



Prefix	Wattage	Kelvin/CCT	Finish	Options
AX5506	10W = 10 Watt LED A19 Lamp	30K - 3000° Kelvin	ORB = Oil Rubbed Bronze	AX5504 = Optional Baffle
AX5508	20W = 2x 10 Watt LED A19 Lamp	40K - 4000° Kelvin	BK = Black	
AX5516				

AX5508

Outdoor Up/Down Wall Sconce



Specification Features

UL/ETL Listing	Wet Location
Construction	Die Cast Aluminum
Lens/Diffuser	
Light Source	(2) E26 Socket for A19 Lamp
Voltage	120v
Warranty	5 year normal operation
Dimensions	4.5"W x 12"H x 7.5"Ext.
Mounting	Wall Mount. All necessary hardware included.



AX5508
Optional Baffle

Ordering Example: AX5508-20W-30K-BK



Prefix	Wattage	Light Color	Finish	Options
AX5508	20W = (2) 10W A19 Lamp - E26 Base	30K = 3000° Kelvin 40K = 4000° Kelvin	ORB = Oil Rubbed Bronze BK = Black	DC5504 = Optional Baffle

LED Outdoor

Commercial Up & Down Building Light



AX5510

Applications

Ideal for homes, courtyards, verandas, building walls, and hotels. Residential and commercial building applications. Up & down lights give your outdoor space a bright and modern look. The sleek style shines light upward and downward for atmospheric ambient light as well as useful illumination along walkways.

Specification Features

UL or ETL Listing	Wet Locations (IP65)
Housing	Die Cast Aluminum
Lens	Glass
Voltage	AC 120v-277v
Light Source	Integrated LED
Light Color	WH, B, R, G, RGB
CRI	>80
Beam Angle	30°
PF	>0.9
Driver	Built-in
Warranty	5 year normal operation
Mounting	Wall Mount, included all necessary hardware. Easy install metal plate 5" x 5".
Features	<ul style="list-style-type: none"> • Instant On/Off • Sealed fixture (bug free) • Available in multiple light colors

Part	Wattage	Lumens	Dimensions
AX5510-18W (2x 9w)	18w	1,620lm	4.25"W x 11.8"H x 6.76"Ext.
AX5510-24W (2x 12w)	24w	2,160lm	4.25"W x 11.8"H x 6.76"Ext.
AX5510-36W (2x 18w)	36w	3,240lm	5.75"W x 11.8"H x 8.26"Ext.
AX5510-48W (2x 9w24)	48w	4,320lm	6.3"W x 11.8"H x 8.81"Ext.
AX5510-60W (2x 30w)	60w	5,400lm	6.3"W x 11.8"H x 8.81"Ext.

Ordering Example:

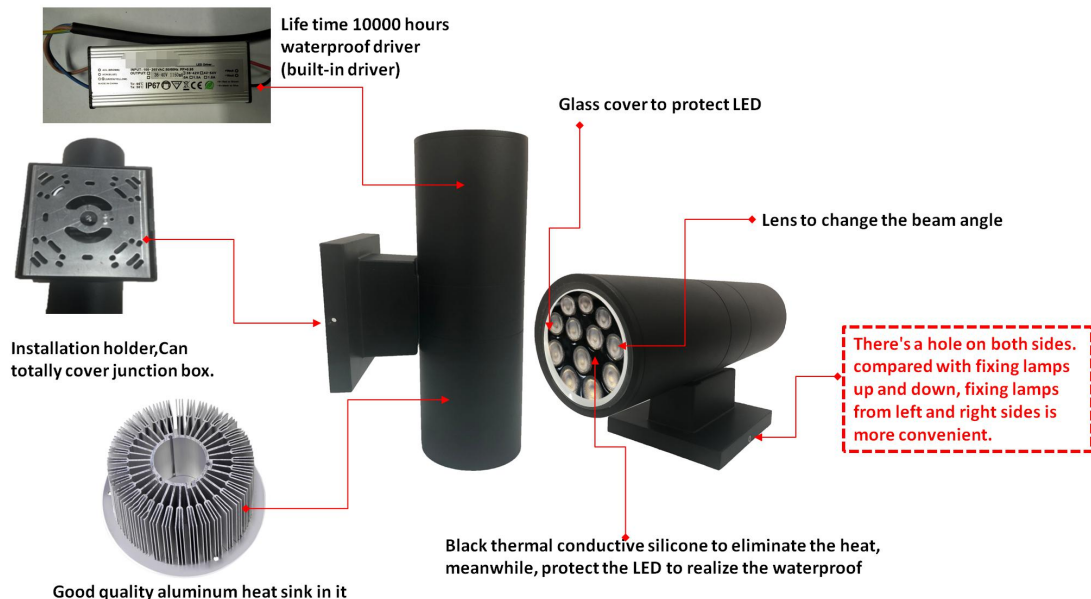
AX5510-18W-BK-WH



Prefix	Wattage		Finish	LED Color	
AX5510	18W = 2x 9 watt LED	48W = 2x 24 watt LED	BK = Black	WH = White	GN = Green
	24W = 2x 12 watt LED	60W = 2x 30 watt LED	BZ = Bronze	BL = Blue	RGB = Multi-Color
	36W = 2x 18 watt LED			RD = Red	

LED Outdoor

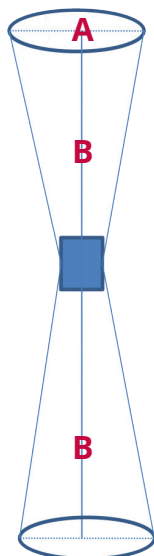
Commercial Up and/or Down Building Light



Function of remote panels

- "1": OFF button.
- "2": ON button.
- "3": Static red button.
- "4": Static Green button.
- "5": Static Blue button.
- "6": Static Yellow (Red+Green) button.
- "7": Static Cyan (Green+Blue) button.
- "8": Static purple (Blue+Red) button.
- "9": Static White Cyan (Red+Green+Blue) button.
- "10": The above color changes automatically according to the set program.
- "11": Seven color cycling gradually button.
- "12": Three color (Red+Green+Blue) jumpy change button.

NOTE: Save the program setting after power off, RF control distance is 100M



Power	A	B
2x 12W	4 ft.	20 ~ 27 ft.
2x 18W	6 ft.	27 ~ 33 ft.
2x 24W	6.5 ft.	43 ~ 50 ft.
2x 36W	8.3 ft.	55 ~ 60 ft.

A: The diameter of the aperture.
B: Height of building that can be illuminated by light.

LED Outdoor

Commercial Up or Down Building Light



AX5512

Applications

Ideal for homes, courtyards, verandas, building walls, and hotels. Residential and commercial building applications. Up & down lights give your outdoor space a bright and modern look. The sleek style shines light upward and downward for atmospheric ambient light as well as useful illumination along walkways.

Specification Features

UL or ETL Listing	Wet Locations (IP65)
Housing	Die Cast Aluminum
Lens	Glass
Voltage	AC 120v-277v
Light Source	Integrated LED
Light Color	WH, B, R, G, RGB
CRI	>80
Beam Angle	30°
PF	>0.9
Driver	Built-in
Warranty	5 year normal operation
Mounting	Wall Mount, included all necessary hardware. Easy install metal plate 5" x 5".
Features	<ul style="list-style-type: none"> • Instant On/Off • Sealed fixture (bug free) • Available in multiple light colors

Part	Wattage	Lumens	Dimensions
AX5512-9W	9w	810lm	4.25"W x 7.87"H x 6.76"Ext.
AX5512-12W	12w	1,080lm	4.25"W x 7.87"H x 6.76"Ext.
AX5512-18W	18w	1,620lm	5.75"W x 7.87"H x 8.26"Ext.
AX5512-24W	24w	2,160lm	6.3"W x 7.87"H x 8.81"Ext.
AX5512-30W	30w	2,700lm	6.3"W x 7.87"H x 8.81"Ext.

Ordering Example:

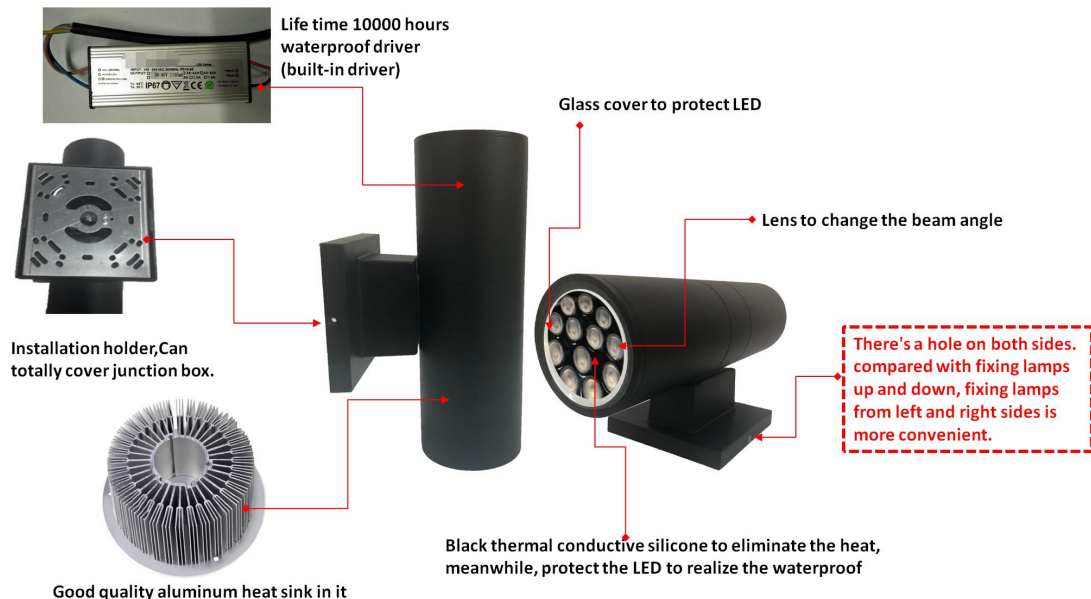
AX5512-9W-BK-WH

Prefix	Wattage	Finish	LED Color
AX5512	9W = 9 watt LED 12W = 12 watt LED 18W = 18 watt LED	24W = 24 watt LED 30W = 30 watt LED	BK = Black BZ = Bronze WH = White B = Blue R = Red
			G = Green RGB = Multi-Color



LED Outdoor

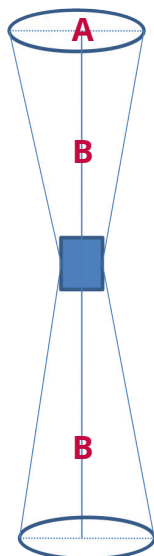
Commercial Up and/or Down Building Light



Function of remote panels

- "1": OFF button.
- "2": ON button.
- "3": Static red button.
- "4": Static Green button.
- "5": Static Blue button.
- "6": Static Yellow (Red+Green) button.
- "7": Static Cyan (Green+Blue) button.
- "8": Static purple (Blue+Red) button.
- "9": Static White Cyan (Red+Green+Blue) button.
- "10": The above color changes automatically according to the set program.
- "11": Seven color cycling gradually button.
- "12": Three color (Red+Green+Blue) jumpy change button.

NOTE: Save the program setting after power off, RF control distance is 100M



Power	A	B
2x 12W	4 ft.	20 ~ 27 ft.
2x 18W	6 ft.	27 ~ 33 ft.
2x 24W	6.5 ft.	43 ~ 50 ft.
2x 36W	8.3 ft.	55 ~ 60 ft.

A: The diameter of the aperture.
B: Height of building that can be illuminated by light.

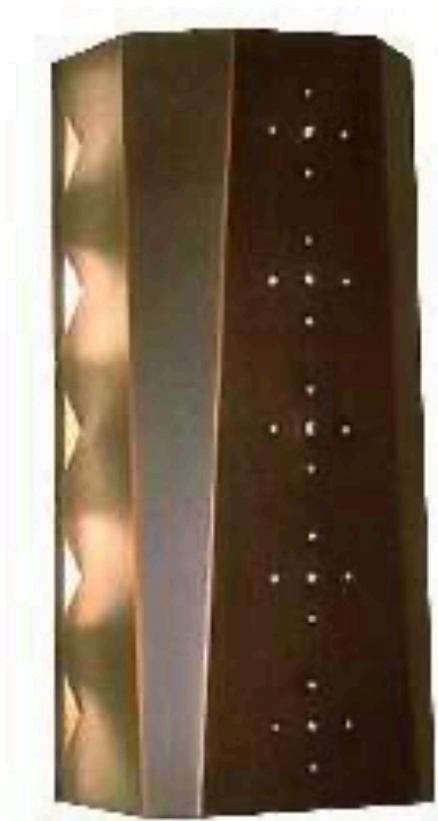
AX5514

Decorative Wall Mount



Applications

Ideal for entrances, walkways, rear doors, patios, multifamily, or single-family homes as well as commercial building applications.



Specification Features

UL or ETL Listing	Wet Locations
Housing	Cold Rolled Steel
Voltage	AC 120v
Light Source	10 watt LED A19 E26 Bulb (Sold Separately)
Kelvin	30K, 40K
Warranty	5 year normal operation
Mounting	Wall Mount. All necessary hardware included.
Glass Only	GL-DC5514

Suggested Lamp



LEDA110 • 30K • >80 CRI
LEDA112 • 40K • >80 CRI

Part	Wattage	Lumens	# of Sockets	Dimensions
AX5514	20w (2x 10)	1,600	2	6"W x 14.28"H x 3.25"Ext.

Ordering Example:

AX5514-20W-30K-ORB

Prefix	Wattage	Kelvin/CCT	Finish	Options
AX5514	20W = 2x 10 Watt LED A19 Lamp	30K - 3000° Kelvin 40K - 4000° Kelvin	ORB = Oil Rubbed Bronze	



LED Outdoor

Decorative Wall Mount



Applications

Ideal for entrances, walkways, rear doors, patios, multifamily, or single-family homes as well as commercial building applications.

Specification Features

UL or ETL Listing	Wet Locations
Housing	Die Cast Aluminum
Voltage	AC 120v
Light Source	10 watt LED A19 E26 Bulb (Sold Separately)
Kelvin	30K, 40K
Warranty	5 year normal operation
Mounting	Wall Mount. All necessary hardware included.



AX5506
Wall Mount
Up or Down Light



AX5508
Wall Mount
Up & Down Light



AX5516
Ceiling Mount



AX5504
Optional Baffle

Suggested Lamp



LEDA110 • 30K • >80 CRI
LEDA112 • 40K • >80 CRI

Part	Wattage	Lumens	CRI	Kelvin	Dimensions
AX5506	10w	800lm	>80	30K, 40K	4.38"W x 7"H x 7.5"Ext.
AX5508	20w (2x 10w)	1,600lm	>80	30K, 40K	4.5"W x 12"H x 7.5"Ext.
AX5516	10w	800lm	>80	30K, 40K	4.38"W x 7.25"H x 7.5"Ext

Ordering Example:

AX5506-10W-30K-BK-DC5504



Prefix	Wattage	Kelvin/CCT	Finish	Options
AX5506	10W = 10 Watt LED A19 Lamp	30K - 3000° Kelvin	ORB = Oil Rubbed Bronze	AX5504 = Optional Baffle
AX5508	20W = 2x 10 Watt LED A19 Lamp	40K - 4000° Kelvin	BK = Black	
AX5516				

LED Outdoor

Decorative Wall Mount



AX5942
White Opal Glass



AX5560
White Opal Glass



AX5664
Frosted Seeded Glass

Applications

Ideal for entrances, walkways, rear doors, patios, multifamily, or single-family homes as well as commercial building applications.

Specification Features

UL or ETL Listing	Wet Locations
Housing	Cold Rolled Steel • Baked Enamel
Lens/Diffuser	White Opal / Frosted Seeded Glass
Voltage	AC 120v
Light Source	10 watt LED A19 E26 Bulb (Sold Separately)
Kelvin	30K, 40K
Warranty	5 year normal operation
Mounting	Wall Mount. All necessary hardware included.
Glass Only	GL-AX5560 GL-AX5942 GL-AX5664

Suggested Lamp



LEDA110 • 30K • >80 CRI
LEDA112 • 40K • >80 CRI

Part	Wattage	Lumens	# of Sockets	Dimensions
AX5560	10	800	1	7.875"W x 12.25"H x 9.125"Ext.
AX5942	10	800	1	5.5"W x 10"H x 6.5"Ext.
AX5664	10	800	1	6.25"W x 10.5"H x 7"Ext.

Ordering Example:

AX5560-BK-10W-30K



Prefix	Wattage	Kelvin/CCT	Finish	Options
AX5560	10W = 10 Watt LED A19 Lamp	30K - 3000° Kelvin	ORB = Oil Rubbed Bronze	
AX5942		40K - 4000° Kelvin	BK = Black	
AX5664				

LED Outdoor

Decorative Wall Mount



AX5956
AX5957
AX5958



AX5562

Applications

Ideal for entrances, walkways, rear doors, patios, multifamily, or single-family homes as well as commercial building applications.

Specification Features

UL or ETL Listing	Damp Locations
Housing	Cold Rolled Steel • Baked Enamel
Lens/Diffuser	White Opal Glass
Voltage	AC 120v
Light Source	10 watt LED A19 E26 Bulb (Sold Separately)
Kelvin	30K, 40K
Warranty	5 year normal operation
Mounting	Wall Mount. All necessary hardware included.
Glass Only	GL-AX5956 GL-AX5957 GL-AX5958 GL-AX5562

Suggested Lamp



LEDA110 • 30K • >80 CRI
LEDA112 • 40K • >80 CRI

Part	Wattage	Lumens	# of Sockets	Dimensions
AX5956	10	800	1	6.15"W x 10"H x 7.3"Ext.
AX5957	10	800	1	8"W x 12.25"H x 9.5"Ext.
AX5958	10	800	1	9"W x 14.5"H x 10.5"Ext.
AX5562	10	800	1	8.5"W x 16.75"H x 10.75"Ext.

Ordering Example:

AX5956-10W-30K-BK



Prefix	Wattage	Kelvin/CCT	Finish	Options
AX5956	10W = 10 Watt LED A19 Lamp	30K - 3000° Kelvin	BN = Brushed Nickel	
AX5957		40K - 4000° Kelvin	ORB = Oil Rubbed Bronze	
AX5958			WH = White	
AX5562			BK = Black	

LED Outdoor

Decorative Wall Mount



AX5234
White Opal Glass



AX5235
White Opal Glass



AX5570
Clear Seeded Glass

Applications

Ideal for entrances, walkways, rear doors, patios, multifamily, or single-family homes as well as commercial building applications.

Specification Features

UL or ETL Listing	Wet Locations
Housing	Cold Rolled Steel
Voltage	AC 120v
Light Source	10 watt LED A19 E26 Bulb (Sold Separately)
Kelvin	30K, 40K
Warranty	5 year normal operation
Mounting	Wall Mount. All necessary hardware included.
Glass Only	GL-AX5234 GL-AX5235 GL-AX5570

Suggested Lamp



LEDA110 • 30K • >80 CRI
LEDA112 • 40K • >80 CRI

Part	Wattage	Lumens	# of Sockets	Dimensions
AX5234	10	800	1	6"W x 7.25"H x 6"Ext.
AX5235	10	800	1	6"W x 7.25"H x 6"Ext.
AX5570	10	800	1	5"W x 11.25"H x 9.25"Ext.

Ordering Example:

AX5234-10W-30K-BK

Prefix	Wattage	Kelvin/CCT	Finish	Options
AX5234	10W = 10 Watt LED A19 Lamp	30K - 3000° Kelvin	ORB = Oil Rubbed Bronze	
AX5235		40K - 4000° Kelvin	BK = Black	
AX5570				



LED Outdoor

Decorative Wall Mount



AX5580

Applications

Ideal for entrances, walkways, rear doors, patios, multifamily, or single-family homes as well as commercial building applications.

Specification Features

UL or ETL Listing	Wet Locations
Housing	Cold Rolled Steel • Baked Enamel
Voltage	AC 120v
Light Source	10 watt LED A19 E26 Bulb (Sold Separately)
Kelvin	30K, 40K
Warranty	5 year normal operation
Mounting	Wall Mount. All necessary hardware included.



AX5014



AX5015

Suggested Lamp



LEDA110 • 30K • >80 CRI
LEDA112 • 40K • >80 CRI

Part	Wattage	Lumens	# of Sockets	Dimensions
AX5014	10	800	1	8.75"W x 10.5"H x 10.5"Ext.
AX5015	10	800	1	8.75"W x 10.5"H x 10.5"Ext.
AX5580	10	800	1	7"W x 12.5"H x 7.75"Ext.

Ordering Example:

AX5014-10W-30K-BK



Prefix	Wattage	Kelvin/CCT	Finish	Options
AX5014	10W = 10 Watt LED A19 Lamp	30K - 3000° Kelvin	ORB = Oil Rubbed Bronze	
AX5015		40K - 4000° Kelvin	BK = Black	
AX5580			SI = Silver (DC5580)	
			WB = Weathered Brass (DC5580)	

LED Outdoor



Decorative Wall Mount



AX5586
Wall Mount
Up or Down Light



AX5584
Wall Mount
Up & Down Light



AX5588
Ceiling Mount

Applications

Ideal for entrances, walkways, rear doors, patios, multifamily, or single-family homes as well as commercial building applications.

Specification Features

UL or ETL Listing	Wet Locations
Housing	Die Cast Aluminum
Lens	None
Voltage	AC 120v
Light Source	10 watt LED A19 E26 Bulb (Sold Separately)
Kelvin	30K, 40K, 50K
Warranty	5 year normal operation
Mounting	Wall Mount. All necessary hardware included.

Suggested Lamp



LEDA110 • 30K • >80 CRI
LEDA112 • 40K • >80 CRI

Part	Wattage	Lumens	CRI	Kelvin	Dimensions
AX5584	20w (2x 10w)	1,600lm	>80	30K, 40K	6"W x 15"H x 8.3"Ext.
AX5586	10w	800lm	>80	30K, 40K	6"W x 9"H x 8.3"Ext.
AX5588	10w	800lm	>80	30K, 40K	6"W x 9"H x 8.3"Ext.

Ordering Example:

AX5586-10W-30K-BK

Prefix	Wattage	Kelvin/CCT	Finish	Options
AX5584	10W = 10 Watt LED A19 Lamp	30K - 3000° Kelvin	ORB = Oil Rubbed Bronze	
AX5586	20W = 2x 10 Watt LED A19 Lamp	40K - 4000° Kelvin	WH = White	
AX5588			BK = Black	
			SI = Silver	



LED Outdoor



Decorative Wall Mount



AX5586
Wall Mount
Up or Down Light



AX5584
Wall Mount
Up & Down Light



AX5588
Ceiling Mount

Applications

Ideal for entrances, walkways, rear doors, patios, multifamily, or single-family homes as well as commercial building applications.

Specification Features

UL or ETL Listing	Wet Locations
Housing	Die Cast Aluminum
Lens	None
Voltage	AC 120v
Light Source	10 watt LED A19 E26 Bulb (Sold Separately)
Kelvin	30K, 40K, 50K
Warranty	5 year normal operation
Mounting	Wall Mount. All necessary hardware included.

Suggested Lamp



LEDA110 • 30K • >80 CRI
LEDA112 • 40K • >80 CRI

Part	Wattage	Lumens	CRI	Kelvin	Dimensions
AX5584	20w (2x 10w)	1,600lm	>80	30K, 40K	6"W x 15"H x 8.3"Ext.
AX5586	10w	800lm	>80	30K, 40K	6"W x 9"H x 8.3"Ext.
AX5588	10w	800lm	>80	30K, 40K	6"W x 9"H x 8.3"Ext.

Ordering Example:

AX5586-10W-30K-BK

Prefix	Wattage	Kelvin/CCT	Finish	Options
AX5584	10W = 10 Watt LED A19 Lamp	30K - 3000° Kelvin	ORB = Oil Rubbed Bronze	
AX5586	20W = 2x 10 Watt LED A19 Lamp	40K - 4000° Kelvin	WH = White	
AX5588			BK = Black	
			SI = Silver	



LED Outdoor



Decorative Wall Mount



AX5586
Wall Mount
Up or Down Light



AX5584
Wall Mount
Up & Down Light



AX5588
Ceiling Mount

Applications

Ideal for entrances, walkways, rear doors, patios, multifamily, or single-family homes as well as commercial building applications.

Specification Features

UL or ETL Listing	Wet Locations
Housing	Die Cast Aluminum
Lens	None
Voltage	AC 120v
Light Source	10 watt LED A19 E26 Bulb (Sold Separately)
Kelvin	30K, 40K, 50K
Warranty	5 year normal operation
Mounting	Wall Mount. All necessary hardware included.

Suggested Lamp



LEDA110 • 30K • >80 CRI
LEDA112 • 40K • >80 CRI

Part	Wattage	Lumens	CRI	Kelvin	Dimensions
AX5584	20w (2x 10w)	1,600lm	>80	30K, 40K	6"W x 15"H x 8.3"Ext.
AX5586	10w	800lm	>80	30K, 40K	6"W x 9"H x 8.3"Ext.
AX5588	10w	800lm	>80	30K, 40K	6"W x 9"H x 8.3"Ext.

Ordering Example:

AX5586-10W-30K-BK

Prefix	Wattage	Kelvin/CCT	Finish	Options
AX5584	10W = 10 Watt LED A19 Lamp	30K - 3000° Kelvin	ORB = Oil Rubbed Bronze	
AX5586	20W = 2x 10 Watt LED A19 Lamp	40K - 4000° Kelvin	WH = White	
AX5588			BK = Black	
			SI = Silver	



AX5655

Outdoor Wall Sconce



Specification Features

UL/ETL Listing	Wet Location
Construction	Metal
Lens/Diffuser	Clear Glass
Light Source	(1) E26 Socket for A19 Lamp
Voltage	120V
Warranty	5 year normal operation
Dimensions	5"W x 12.5"H x 8"Ext.

Ordering Example: AX5655-10W-30K-BK



Prefix	Wattage	Color Temp.	Finish
AX5655	10W = (1) E26 Socket for 10 watt A19 Lamp	30K = 3000° Kelvin	BK = Black

LED Outdoor

Decorative Wall Mount



AX5942
White Opal Glass



AX5560
White Opal Glass



AX5664
Frosted Seeded Glass

Applications

Ideal for entrances, walkways, rear doors, patios, multifamily, or single-family homes as well as commercial building applications.

Specification Features

UL or ETL Listing	Wet Locations
Housing	Cold Rolled Steel • Baked Enamel
Lens/Diffuser	White Opal / Frosted Seeded Glass
Voltage	AC 120v
Light Source	10 watt LED A19 E26 Bulb (Sold Separately)
Kelvin	30K, 40K
Warranty	5 year normal operation
Mounting	Wall Mount. All necessary hardware included.
Glass Only	GL-AX5560 GL-AX5942 GL-AX5664

Suggested Lamp



LEDA110 • 30K • >80 CRI
LEDA112 • 40K • >80 CRI

Part	Wattage	Lumens	# of Sockets	Dimensions
AX5560	10	800	1	7.875"W x 12.25"H x 9.125"Ext.
AX5942	10	800	1	5.5"W x 10"H x 6.5"Ext.
AX5664	10	800	1	6.25"W x 10.5"H x 7"Ext.

Ordering Example:

AX5560-BK-10W-30K



Prefix	Wattage	Kelvin/CCT	Finish	Options
AX5560	10W = 10 Watt LED A19 Lamp	30K - 3000° Kelvin	ORB = Oil Rubbed Bronze	
AX5942		40K - 4000° Kelvin	BK = Black	
AX5664				

AX5724

1 Light Outdoor Wall Sconce



Specification Features

UL/ETL Listing	Wet Location
Construction	Die Cast Aluminum
Lens/Diffuser	Etched White Glass
Light Source	(1) E26 Socket for A19 lamps
Voltage	120v
Warranty	5 year normal operation
Dimensions	5.13"W x 13.5"H x 6.25"Ext.

Ordering Example: AX5724-10W-30K-ORB



Prefix	Wattage	Light Color	Finish
AX5724	10W = (1) 10W A19 Lamp - E26 Base	30K = 3000° Kelvin	ORB = Oil Rubbed Bronze

LED Outdoor

Decorative Wall Mount



Applications

Ideal for entrances, walkways, rear doors, patios, multifamily, or single-family homes as well as commercial building applications.



AX5964



AX5726

Specification Features

UL or ETL Listing	Wet Locations
Housing	Cold Rolled Steel • Baked Enamel
Lens/Diffuser	White Opal Glass
Voltage	AC 120v
Light Source	10 watt LED A19 E26 Bulb (Sold Separately)
Kelvin	30K, 40K, 50K
Warranty	5 year normal operation
Mounting	Wall Mount. All necessary hardware included.
Glass Only	GL-AX5726 GL-AX5964

Suggested Lamp



LEDA110 • 30K • >80 CRI
LEDA112 • 40K • >80 CRI

Part	Wattage	Lumens	# of Sockets	Dimensions
AX5726	10	800	1	7"W x 12.5"H x 7.75"Ext.
AX5964	10	800	1	5.63"W x 9.5"H x 6.75"Ext.

Ordering Example:

AX5726-10W-30K-BK



Prefix	Wattage	Kelvin/CCT	Finish	Options
AX5726	10W = 10 Watt LED A19 Lamp	30K - 3000° Kelvin	ORB = Oil Rubbed Bronze	
AX5964		40K - 4000° Kelvin	BK = Black	

LED Outdoor

Elevator Light



Applications

Ideal for entrances, walkways, rear doors, patios, multifamily, or single-family homes as well as commercial building applications.

Specification Features

UL or ETL Listing	Wet Locations
Housing	Die Cast Aluminum
Lens	Clear Glass Jar
Voltage	AC 120v
Light Source	10 watt LED A19 E26 Bulb (Sold Separately)
Kelvin	30K, 40K
Warranty	5 year normal operation
Mounting	Wall Mount / Ceiling Mount. All necessary hardware included.

AX5961
Wall Mount



AX5858
Ceiling Mount

Suggested Lamp



LEDA110 • 30K • >80 CRI
LEDA112 • 40K • >80 CRI

Part	Wattage	Lumens	CRI	Kelvin	Dimensions
AX5858	10w	1,600lm	>80	30K, 40K	6"W x 15"H x 9"Ext.
AX5961	10w	800lm	>80	30K, 40K	6"W x 9"H x 9"Ext.

Ordering Example:

AX5858-10W-30K-SA

Prefix	Wattage	Kelvin/CCT	Finish	Options
AX5858	10W = 10 Watt LED A19 Lamp	30K - 3000° Kelvin	SA = Satin Aluminum	
AX5961		40K - 4000° Kelvin		



LED Outdoor

Decorative Wall Mount



Applications

Ideal for entrances, walkways, rear doors, patios, multifamily, or single-family homes as well as commercial building applications.

Specification Features

UL or ETL Listing	Damp Locations
Housing	Cold Rolled Steel • Baked Enamel
Lens/Diffuser	Matte White Acrylic
Voltage	AC 120v
Light Source	10 watt LED A19 E26 Bulb (Sold Separately)
Wattage	10w, 20w
Lumens	600, 1200
CRI	>80
Kelvin	30K, 40K
Warranty	5 year normal operation
Mounting	Wall Mount. All necessary hardware included.



AX5896

4.75"W x 9.625"H x 3.125"Ext.
10 Watt LED A19 Lamp



AX5897

4.75"W x 16"H x 3.5"Ext.
2x 10 Watt LED A19 Lamps




Suggested Lamp



LEDA110 • 30K • >80 CRI
LEDA112 • 40K • >80 CRI

Ordering Example:

AX3857-10W-30K-BK

Prefix	Wattage	Kelvin/CCT	Finish	Options
AX5896	10W = 10 Watt LED A19 Lamp	30K - 3000° Kelvin	GY = Grey	  
AX5897	20W = 2x 10 Watt LED A19 Lamp	40K - 4000° Kelvin	ORB = Oil Rubbed Bronze	
			WH = White	
			BK = Black	

LED Outdoor

Decorative Wall Mount



Applications

Ideal for entrances, walkways, rear doors, patios, multifamily, or single-family homes as well as commercial building applications.

Specification Features

UL or ETL Listing	Damp Locations
Housing	Cold Rolled Steel • Baked Enamel
Lens/Diffuser	Matte White Acrylic
Voltage	AC 120v
Light Source	10 watt LED A19 E26 Bulb (Sold Separately)
Wattage	10w, 20w
Lumens	600, 1200
CRI	>80
Kelvin	30K, 40K
Warranty	5 year normal operation
Mounting	Wall Mount. All necessary hardware included.



AX5896

4.75"W x 9.625"H x 3.125"Ext.
10 Watt LED A19 Lamp



AX5897

4.75"W x 16"H x 3.5"Ext.
2x 10 Watt LED A19 Lamps

Suggested Lamp



LEDA110 • 30K • >80 CRI
LEDA112 • 40K • >80 CRI

Ordering Example:

AX3857-10W-30K-BK

Prefix	Wattage	Kelvin/CCT	Finish	Options
AX5896	10W = 10 Watt LED A19 Lamp	30K - 3000° Kelvin	GY = Grey	
AX5897	20W = 2x 10 Watt LED A19 Lamp	40K - 4000° Kelvin	ORB = Oil Rubbed Bronze	
			WH = White	
			BK = Black	

AX5940

LED Outdoor Wall Sconce



Specification Features

UL or ETL Listing	Wet Location
Material	Aluminum
Diffuser/Lens	Frosted Glass
Light Source	10W LED A19 E26 Bulb
CRI	>80
Kelvin	30K, 40K, 50K
Voltage	120V
Warranty	5 year normal operation
Mounting	Wall
Dimensions	8"H x 4.5"W 6"Ext.

Ordering Example:

AX5940-10W-30K-BN



Prefix	Wattage	Kelvin/CCT	Finish
AX5940	10W = 1x 10W LED Bulb	30K = 3000° Kelvin 40K = 4000° Kelvin 50K = 5000° Kelvin	BN = Brushed Nickel BK = Black ORB = Oil Rubbed Bronze

LED Outdoor

Decorative Wall Mount



AX5942
White Opal Glass



AX5560
White Opal Glass



AX5664
Frosted Seeded Glass

Applications

Ideal for entrances, walkways, rear doors, patios, multifamily, or single-family homes as well as commercial building applications.

Specification Features

UL or ETL Listing	Wet Locations
Housing	Cold Rolled Steel • Baked Enamel
Lens/Diffuser	White Opal / Frosted Seeded Glass
Voltage	AC 120v
Light Source	10 watt LED A19 E26 Bulb (Sold Separately)
Kelvin	30K, 40K
Warranty	5 year normal operation
Mounting	Wall Mount. All necessary hardware included.
Glass Only	GL-AX5560 GL-AX5942 GL-AX5664

Suggested Lamp



LEDA110 • 30K • >80 CRI
LEDA112 • 40K • >80 CRI

Part	Wattage	Lumens	# of Sockets	Dimensions
AX5560	10	800	1	7.875"W x 12.25"H x 9.125"Ext.
AX5942	10	800	1	5.5"W x 10"H x 6.5"Ext.
AX5664	10	800	1	6.25"W x 10.5"H x 7"Ext.

Ordering Example:

AX5560-BK-10W-30K



Prefix	Wattage	Kelvin/CCT	Finish	Options
AX5560	10W = 10 Watt LED A19 Lamp	30K - 3000° Kelvin	ORB = Oil Rubbed Bronze	
AX5942		40K - 4000° Kelvin	BK = Black	
AX5664				

LED Outdoor

Decorative Wall Mount



AX5956
AX5957
AX5958



AX5562

Applications

Ideal for entrances, walkways, rear doors, patios, multifamily, or single-family homes as well as commercial building applications.

Specification Features

UL or ETL Listing	Damp Locations
Housing	Cold Rolled Steel • Baked Enamel
Lens/Diffuser	White Opal Glass
Voltage	AC 120v
Light Source	10 watt LED A19 E26 Bulb (Sold Separately)
Kelvin	30K, 40K
Warranty	5 year normal operation
Mounting	Wall Mount. All necessary hardware included.
Glass Only	GL-AX5956 GL-AX5957 GL-AX5958 GL-AX5562

Suggested Lamp



LEDA110 • 30K • >80 CRI
LEDA112 • 40K • >80 CRI

Part	Wattage	Lumens	# of Sockets	Dimensions
AX5956	10	800	1	6.15"W x 10"H x 7.3"Ext.
AX5957	10	800	1	8"W x 12.25"H x 9.5"Ext.
AX5958	10	800	1	9"W x 14.5"H x 10.5"Ext.
AX5562	10	800	1	8.5"W x 16.75"H x 10.75"Ext.

Ordering Example:

AX5956-10W-30K-BK



Prefix	Wattage	Kelvin/CCT	Finish	Options
AX5956	10W = 10 Watt LED A19 Lamp	30K - 3000° Kelvin	BN = Brushed Nickel	
AX5957		40K - 4000° Kelvin	ORB = Oil Rubbed Bronze	
AX5958			WH = White	
AX5562			BK = Black	

LED Outdoor

Decorative Wall Mount



AX5956
AX5957
AX5958



AX5562

Applications

Ideal for entrances, walkways, rear doors, patios, multifamily, or single-family homes as well as commercial building applications.

Specification Features

UL or ETL Listing	Damp Locations
Housing	Cold Rolled Steel • Baked Enamel
Lens/Diffuser	White Opal Glass
Voltage	AC 120v
Light Source	10 watt LED A19 E26 Bulb (Sold Separately)
Kelvin	30K, 40K
Warranty	5 year normal operation
Mounting	Wall Mount. All necessary hardware included.
Glass Only	GL-AX5956 GL-AX5957 GL-AX5958 GL-AX5562

Suggested Lamp



LEDA110 • 30K • >80 CRI
LEDA112 • 40K • >80 CRI

Part	Wattage	Lumens	# of Sockets	Dimensions
AX5956	10	800	1	6.15"W x 10"H x 7.3"Ext.
AX5957	10	800	1	8"W x 12.25"H x 9.5"Ext.
AX5958	10	800	1	9"W x 14.5"H x 10.5"Ext.
AX5562	10	800	1	8.5"W x 16.75"H x 10.75"Ext.

Ordering Example:

AX5956-10W-30K-BK



Prefix	Wattage	Kelvin/CCT	Finish	Options
AX5956	10W = 10 Watt LED A19 Lamp	30K - 3000° Kelvin	BN = Brushed Nickel	
AX5957		40K - 4000° Kelvin	ORB = Oil Rubbed Bronze	
AX5958			WH = White	
AX5562			BK = Black	

LED Outdoor

Decorative Wall Mount



AX5956
AX5957
AX5958



AX5562

Applications

Ideal for entrances, walkways, rear doors, patios, multifamily, or single-family homes as well as commercial building applications.

Specification Features

UL or ETL Listing	Damp Locations
Housing	Cold Rolled Steel • Baked Enamel
Lens/Diffuser	White Opal Glass
Voltage	AC 120v
Light Source	10 watt LED A19 E26 Bulb (Sold Separately)
Kelvin	30K, 40K
Warranty	5 year normal operation
Mounting	Wall Mount. All necessary hardware included.
Glass Only	GL-AX5956 GL-AX5957 GL-AX5958 GL-AX5562

Suggested Lamp



LEDA110 • 30K • >80 CRI
LEDA112 • 40K • >80 CRI

Part	Wattage	Lumens	# of Sockets	Dimensions
AX5956	10	800	1	6.15"W x 10"H x 7.3"Ext.
AX5957	10	800	1	8"W x 12.25"H x 9.5"Ext.
AX5958	10	800	1	9"W x 14.5"H x 10.5"Ext.
AX5562	10	800	1	8.5"W x 16.75"H x 10.75"Ext.

Ordering Example:

AX5956-10W-30K-BK



Prefix	Wattage	Kelvin/CCT	Finish	Options
AX5956	10W = 10 Watt LED A19 Lamp	30K - 3000° Kelvin	BN = Brushed Nickel	
AX5957		40K - 4000° Kelvin	ORB = Oil Rubbed Bronze	
AX5958			WH = White	
AX5562			BK = Black	

LED Outdoor

Elevator Light



Applications

Ideal for entrances, walkways, rear doors, patios, multifamily, or single-family homes as well as commercial building applications.

Specification Features

UL or ETL Listing	Wet Locations
Housing	Die Cast Aluminum
Lens	Clear Glass Jar
Voltage	AC 120v
Light Source	10 watt LED A19 E26 Bulb (Sold Separately)
Kelvin	30K, 40K
Warranty	5 year normal operation
Mounting	Wall Mount / Ceiling Mount. All necessary hardware included.

AX5961
Wall Mount



AX5858
Ceiling Mount

Suggested Lamp



LEDA110 • 30K • >80 CRI
LEDA112 • 40K • >80 CRI

Part	Wattage	Lumens	CRI	Kelvin	Dimensions
AX5858	10w	1,600lm	>80	30K, 40K	6"W x 15"H x 9"Ext.
AX5961	10w	800lm	>80	30K, 40K	6"W x 9"H x 9"Ext.

Ordering Example:

AX5858-10W-30K-SA

Prefix	Wattage	Kelvin/CCT	Finish	Options
AX5858	10W = 10 Watt LED A19 Lamp	30K - 3000° Kelvin	SA = Satin Aluminum	
AX5961		40K - 4000° Kelvin		



LED Outdoor

Decorative Wall Mount



Applications

Ideal for entrances, walkways, rear doors, patios, multifamily, or single-family homes as well as commercial building applications.



AX5964



AX5726

Specification Features

UL or ETL Listing	Wet Locations
Housing	Cold Rolled Steel • Baked Enamel
Lens/Diffuser	White Opal Glass
Voltage	AC 120v
Light Source	10 watt LED A19 E26 Bulb (Sold Separately)
Kelvin	30K, 40K, 50K
Warranty	5 year normal operation
Mounting	Wall Mount. All necessary hardware included.
Glass Only	GL-AX5726 GL-AX5964

Suggested Lamp



LEDA110 • 30K • >80 CRI
LEDA112 • 40K • >80 CRI

Part	Wattage	Lumens	# of Sockets	Dimensions
AX5726	10	800	1	7"W x 12.5"H x 7.75"Ext.
AX5964	10	800	1	5.63"W x 9.5"H x 6.75"Ext.

Ordering Example:

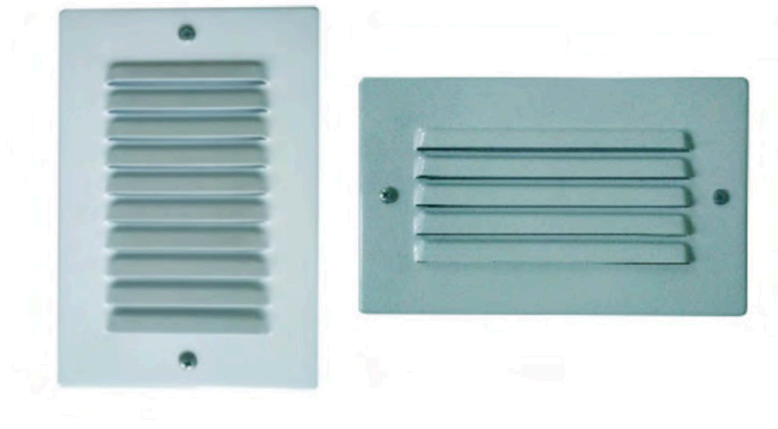
AX5726-10W-30K-BK



Prefix	Wattage	Kelvin/CCT	Finish	Options
AX5726	10W = 10 Watt LED A19 Lamp	30K - 3000° Kelvin	ORB = Oil Rubbed Bronze	
AX5964		40K - 4000° Kelvin	BK = Black	

AX8882

LED Step Light



Specification Features

UL/ETL Listing	Damp Location
Construction	Steel
Lens/Diffuser	Vented Shade (includes both vertical & horizontal faceplates) Optional Acrylic Lens
Light Source	2.7 watt Integrated LED
Lumens	160lm
CRI	80
Voltage	120v
Warranty	5 year normal operation
Dimensions	4.8"W x 8.6"H x 1.5"Ext.



Optional Acrylic Lens

Ordering Example: AX8882-2.7W-30K-WH



ADA Compliant



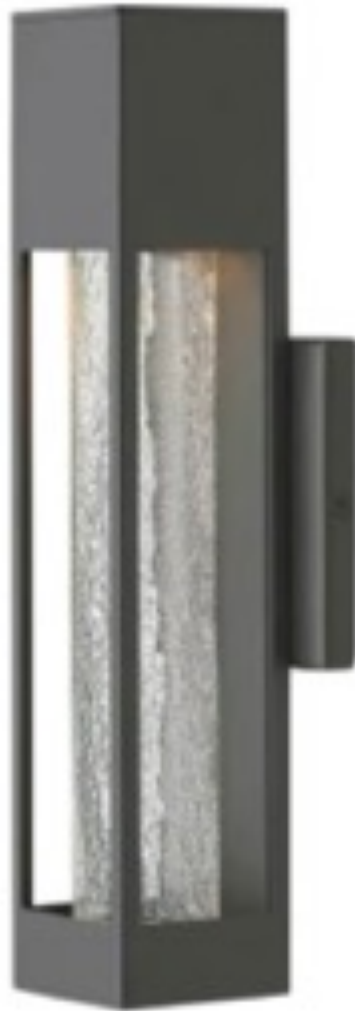
LISTED



Prefix	Wattage	Color Temp.	Finish	Options
AX8882	2.7W = 2.7 watt Integrated LED	30K = 3000° Kelvin	WH = White	AL = Acrylic Lens

AX50001

Outdoor Wall Sconce



Specification Features

UL/ETL Listing	Wet Location
Construction	Metal
Lens/Diffuser	Crystal Tube
Light Source	10 Watt integrated LED
Lumens	600lm
CRI	80+
Voltage	120V
Warranty	5 year normal operation
Dimensions	4.75"W x 14"H x 3.75"Ext.

Ordering Example: AX50001-10W-30K-BK



Prefix	Wattage	Color Temp.	Finish
AX50001	10W = 10 watt Integrated LED	30K = 3000° Kelvin	BK = Black

AX50002

LED Wall Sconce



Specification Features

UL/ETL Rating	Damp Location
Light Source	30W integrated LED
Construction	Steel
Finish	Oil Rubbed Bronze, Black
Lens/Diffuse	Acrylic Shade
Mounting	Wall
Dimensions	6"W x 14.5"H x 3.15"Ext.

Ordering Example:

AXS50002-30W-30K-ORB



Prefi	Wattage	Color Temp.	Finish
AXS50002	30W = 30 Watt Integrated LED	30K = 3000° Kelvin	ORB = Oil Rubbed Bronze BK = Black

AX50004

Outdoor Wall Light



Specification Features

UL or ETL Listing	Wet Location
Material	Painted Metal
Diffuser/Lens	Clear Seeded Glass
Light Source	3x E12 Socket
Voltage	120V
Warranty	5 year normal operation
Dimensions	17.15"H x 11.6"W x 6.75" Ext.

Ordering Example:

AX50004-30W-40K-ORB



Prefix	Extension	Color Temp	Finish
AX50004	30W = 3 x E12 Sockets	30K = 3000 ° Kelvin 40K = 4000 ° Kelvin 50K = 5000 ° Kelvin	ORB = Oil Rubbed Bronze

AX50010

LED Outdoor Wall Sconce



Specification Features

UL/ETL Listing	Wet Location
Construction	Aluminum
Lens/Diffuser	White Glass
Light Source	45 Watt Integrated LED
Lumens	625lm
CRI	90
Dimmable	Yes
Voltage	120v
Warranty	5 year normal operation
Dimensions	8"W x 18.75"H x 4"Ext.

Ordering Example: AX50010-45W-30K-MBK



ADA Compliant



LISTED



5
year
limited warranty

Prefix	Wattage	Color Temp.	Finish
AX50010	45W = 45 watt Integrated LED	30K = 3000° Kelvin	MBK = Matte Black

AX50030

LED Outdoor Wall Sconce



Specification Features

UL/ETL Listing	Wet Location
Construction	Steel
Lens/Diffuser	
Light Source	(1) E26 Socket for 10W A19 Bulb
Voltage	120V
Warranty	5 Years Normal Operation
Dimensions	5"W x 14"H x 4"Ext.

Ordering Example: AX50030-10W-30K-MBK



Prefix	Wattage	Color Temp.	Finish
AX50030	10W = (1) E26 Socket for 10W A19 Bulb	30K = 3000° Kelvin	MBK = Matte Black

AX50034

1 Light Outdoor Wall Sconce



Specification Features

UL/ETL Listing	Wet Location
Construction	
Lens/Diffuser	Frosted Glass
Light Source	(1) GU24 Socket for 10W A19 Bulb
Voltage	120V
Warranty	5 Years Normal Operation
Dimensions	6"W x 14"H x 7.5"Ext.

Ordering Example: AX50034-10W-30K-MBK



Prefix	Wattage	Color Temp.	Finish
AX50034	10W = (1) GU24 Socket for 10W A19 Bulb	30K = 3000° Kelvin	MBK = Matte Black

AX50096

LED Outdoor Wall Sconce



Specification Features

UL/ETL Listing	Damp Location
Construction	
Lens/Diffuser	White Acrylic
Light Source	29 Watt Integrated LED
Lumens	1,162lm
CRI	90
Dimmable	Yes
Voltage	120v
Warranty	5 year normal operation
Dimensions	12"W x 7"H x 3.75"Ext.

Ordering Example: AX50096-29W-30K-MBK



Prefix	Wattage	Color Temp.	Finish
AX50096	29W = 29 watt Integrated LED	30K = 3000° Kelvin	MBK = Matte Black

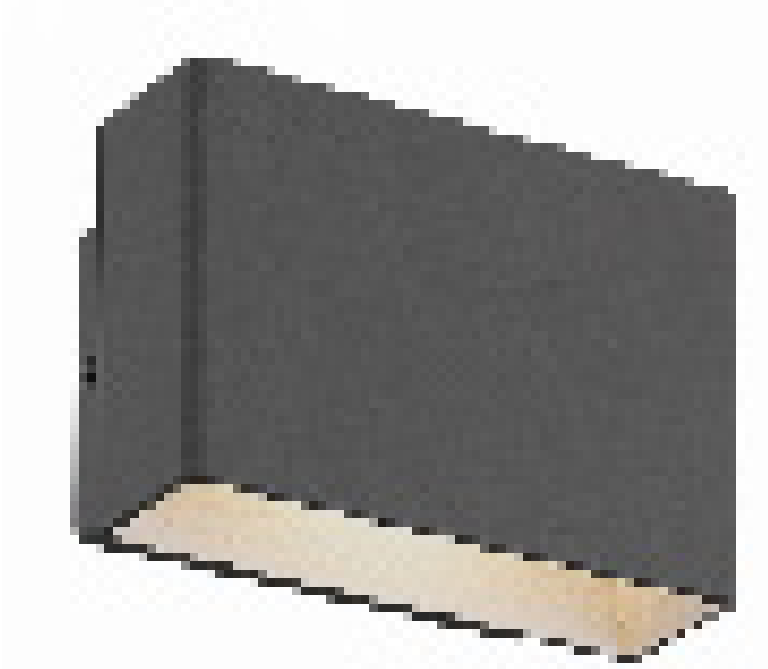
AX50100-8W-30K-BK

LED Outdoor Wall Mount



Specification Features

UL/ETL Rating	Wet Location
Light Source	8W Integrated LED
Construction	
Finish	Black
Lens/Diffuser	Frosted Acrylic
Lumens	150lm
Voltage	120v
CRI	80
Color Temp	30K
Dimmable	No
Mounting	Wall
Dimensions	4.75"W x 3.25"H x 2.25"Ext.



Ordering Example:

AX50100-8W-30K-BK

Prefix	Wattage	Kelvin/CCT	Finish	Options
AX50100	8W = 8W Integrated LED	30K = 3000° Kelvin	BK = Black	



AX50105

1 Light Outdoor Wall Sconce



Specification Features

UL/ETL Listing	Wet Location
Construction	Steel
Lens/Diffuser	Clear Glass
Finish	Black
Light Source	(1) E26 Socket for 10W A19 Bulb
Voltage	120V
Warranty	5 Years Normal Operation
Dimensions	5.5"W x 10"H x 6"Ext.

Ordering Example: AX50105-10W-30K-BN



Prefix	Wattage	Color Temp.	Finish
AX50105	10W = (1) E26 Socket for 10W A19 Bulb	30K = 3000° Kelvin 40K = 4000° Kelvin	BK = Black

AX50110

LED Outdoor Wall Sconce



Specification Features

UL/ETL Listing	Wet Location
Construction	
Lens/Diffuser	Opal Glass
Light Source	12 Watt Integrated LED
Lumens	800lm
CRI	90
Dimmable	Yes
Voltage	120v
Warranty	5 year normal operation
Dimensions	4.5"W x 14"H x 3.75"Ext.

Ordering Example: AX50110-12W-30K-BN



Prefix	Wattage	Color Temp.	Finish
AX50110	12W = 12 watt Integrated LED	30K = 3000° Kelvin 40K = 4000° Kelvin	BN = Brushed Nickel BK = Black ORB = Oil Rubbed Bronze

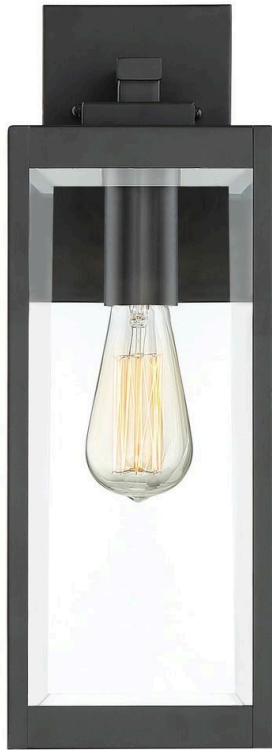
AX50115

LED Outdoor Wall Sconce



Specification Features

UL/ETL Listing	Wet Location
Construction	Steel
Lens/Diffuser	Clear Glass
Light Source	(1) E26 Socket for A19 Lamp
Voltage	120V
Warranty	5 year normal operation
Dimensions	6"W x 17"H x 7.5"Ext.



Ordering Example: AX50115-10W-30K-BK



Prefix	Wattage	Color Temp.	Finish
AX50115	10W = 10 watt A19 Lamp - E26 Base	30K = 3000° Kelvin	BK = Black

AX50160

LED Outdoor Wall Sconce



Specification Features

UL/ETL Listing	Wet Location
Construction	Epoxy Coated Steel
Lens/Diffuser	White Acrylic
Light Source	12 Watt Integrated LED
Lumens	665lm
CRI	80
Dimmable	Yes
Voltage	120v-277v
Warranty	5 year normal operation
Dimensions	8.25"W x 13.25"H x 3.75"Ext.

Ordering Example: AX50160-12W-30K-BK



Prefix	Wattage	Color Temp.	Finish
AX50160	12W = 12 watt Integrated LED	30K = 3000° Kelvin 40K = 4000° Kelvin	BK = Black

AX50162

LED Outdoor Wall Sconce



Specification Features

UL/ETL Listing	Wet Location
Construction	Epoxy Coated Steel
Lens/Diffuser	White Acrylic
Light Source	18 Watt Integrated LED
Lumens	1290lm
CRI	80
Dimmable	Yes
Voltage	120v-277v
Warranty	5 year normal operation
Dimensions	8.25"W x 21.75"H x 3.75"Ext.

Ordering Example: AX50162-18W-30K-BK



Prefix	Wattage	Color Temp.	Finish
AX50162	18W = 18 watt Integrated LED	30K = 3000° Kelvin 40K = 4000° Kelvin	BK = Black

AX50164

LED Outdoor Wall Sconce



Specification Features

UL/ETL Listing	Wet Location
Construction	Epoxy Coated Steel
Lens/Diffuser	White Acrylic
Light Source	24 Watt Integrated LED
Lumens	2110lm
CRI	80
Dimmable	Yes
Voltage	120v-277v
Warranty	5 year normal operation
Dimensions	8.25"W x 30"H x 3.75"Ext.

Ordering Example: AX50164-24W-30K-BK



Prefix	Wattage	Color Temp.	Finish
AX50164	24W = 24 watt Integrated LED	30K = 3000° Kelvin 40K = 4000° Kelvin	BK = Black

AX50210

LED Outdoor Wall Sconce



Specification Features

UL/ETL Listing	Wet Location
Construction	Steel
Lens/Diffuser	Clear Glass
Light Source	(1) E26 Socket for T10 Edison Lamp
Voltage	120V
Warranty	5 year normal operation
Dimensions	5.5"W x 17.25"H x 8"Ext.

Ordering Example: AX50210-10W-30K-BK/PG



Prefix	Wattage	Color Temp.	Finish
AX50210	10W = 10 watt T10 Edison Lamp - E26 Base	30K = 3000° Kelvin	BK/PG = Black with Painted Gold Socket Stem

AX50230

Outdoor Wall Sconce



Specification Features

UL/ETL Listing	Wet Location
Construction	Metal
Lens/Diffuser	Clear Glass
Light Source	(1) E26 Socket for A19 Lamp
Voltage	120v
Warranty	5 year normal operation
Dimensions	5"W x 13.5"H x 7.25"Ext

Ordering Example: AX50230-10W-30K-ORB



Prefix	Wattage	Light Color	Finish
AX50230	10W = (1) 10W A19 Lamp - E26 Base	30K = 3000° Kelvin	ORB = Oil Rubbed Bronze

AX50260

LED Outdoor Wall Sconce



Specification Features

UL/ETL Listing	Wet Location
Construction	Aluminum
Lens/Diffuser	White Glass
Light Source	13 watt Integrated LED
Lumens	235lm
CRI	80
Voltage	120v
Warranty	5 year normal operation
Dimensions	5.25"W x 12"H x 1.75"Ext.

Ordering Example: AX50260-13W-30K-BZ



Prefix	Wattage	Color Temp.	Finish
AX50260	13W = 13 watt Integrated LED	30K = 3000° Kelvin	BZ = Bronze

AX50514

LED Outdoor Wall Sconce



Specification Features

UL/ETL Listing	Wet Location
Construction	Die Cast Metal
Lens/Diffuser	Clear Glass
Light Source	9 Watt Integrated LED
Lumens	424lm
CRI	80
Dimmable	Yes
Voltage	120v
Warranty	5 year normal operation
Dimensions	4.25"W x 6"H x 3"Ext.

Ordering Example: AX50514-9W-30K-MBK



ADA Compliant



LISTED



Prefix	Wattage	Color Temp.	Finish
AX50514	9W = 9 watt Integrated LED	30K = 3000° Kelvin	MBK = Matte Black

AX50520

1 Light Outdoor Wall Sconce



Specification Features

UL/ETL Listing	Wet Rated
Construction	Steel
Lens/Diffuser	Etched White Glass
Light Source	(1) E26 Socket for 10W A19 Bulb
Voltage	120V
Warranty	5 Years Normal Operation
Dimensions	4.5"W x 7"H x 5.88"Ext.

Ordering Example: AX50520-10W-30K-BK



Prefix	Wattage	Light Color	Finish
AX50520	10W = (1) E26 Socket for 10W A19 Bulb	30K = 3000°K 40K = 4000°K	BK = Black

AX50540

LED Outdoor Wall Sconce



Specification Features

UL/ETL Listing	Wet Location
Construction	Stainless Steel
Lens/Diffuser	
Light Source	9 Watt Integrated LED
Lumens	540lm
CRI	90
Dimmable	0-10v
Voltage	120v
Warranty	5 year normal operation
Dimensions	4.25"W x 6.3"H x 4"Ext.

Ordering Example: AX50540-9W-30K-AB



Prefix	Wattage	Color Temp.	Finish
AX50540	9W = 9 watt Integrated LED	30K = 3000° Kelvin	BN = Brushed Nickel AB = Antique Brass

AX50548

LED Outdoor Wall Sconce



Specification Features

UL/ETL Listing	Wet Location
Construction	Marine Grade Aluminum
Lens/Diffuser	Crystal Glass
Light Source	8 watt Integrated LED
Lumens	290lm
CRI	>90
Dimmable	0-10v
Voltage	120v
Warranty	5 year normal operation
Dimensions	3.5"W x 4.75"H x 4"Ext.

Ordering Example: AX50548-8W-30K-BK



ADA Compliant



LISTED



Prefix	Wattage	Color Temp.	Finish
AX50548	8W = 8 watt Integrated LED	30K = 3000° Kelvin 40K = 4000° Kelvin	BN = Brushed Nickel BK = Black

AX50572

LED Outdoor Wall Sconce



Specification Features

UL/ETL Listing	Wet Location
Construction	Steel
Lens/Diffuser	White Acrylic
Light Source	2x 5W Integrated LED
Voltage	120V
CRI	80
Lumens	279 (x2)
Dimmable	Yes
Warranty	5 year normal operation
Dimensions	4"W x 4"H x 5.75"Ext.

Ordering Example: AX50572-10W-30K-BZ



Prefix	Wattage	Color Temp.	Finish
AX50572	10W = 2x 5W ILED	30K = 3000° Kelvin	BZ = Bronze

AX52010

Outdoor Wall Sconce



Specification Features

UL/ETL Listing	Wet Location
Construction	
Lens/Diffuser	Seeded Glass
Light Source	(1) E26 Socket for A19 lamps
Voltage	120v
Warranty	5 year normal operation
Dimensions	9"W x 13.75"H x 14.75"Ext.
Backplate	Square 4.375"W



Ordering Example: AX52010-10W-30K-BK



Prefix	Wattage	Light Color	Finish
AX52010	10W = (1) 10W A19 Lamp - E26 Base	30K = 3000° Kelvin	BK = Black

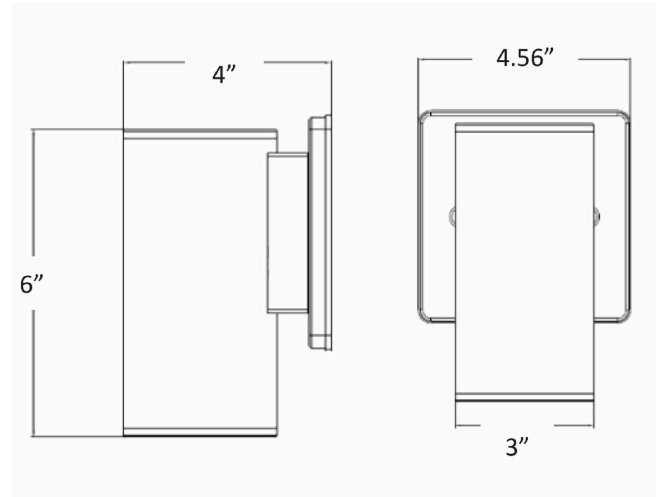
AX54413

LED Outdoor Downlight Wall Sconce



Specification Features

UL/ETL Listing	Wet Location
Construction	
Lens/Diffuser	
Light Source	15 watt Integrated LED
Lumens	891lm
CRI	>80
Voltage	120v
Warranty	5 year normal operation
Dimensions	4.56"W x 6"H x 4" Ext.



Ordering Example: AX54413-15W-30K-BK



Prefix	Wattage	Color Temp.	Finish
AX54413	15W = 15 watt Integrated LED	30K = 3000° Kelvin 40K = 4000° Kelvin	BN = Brushed Nickel BK = Black

AX55030

LED Outdoor Wall Sconce



Specification Features

UL/ETL Listing	Wet Location
Construction	Steel
Lens/Diffuser	Acrylic
Light Source	6 Watt Integrated LED
Lumens	220lm
CRI	90+
Dimmable	Yes
Voltage	120v
Warranty	5 year normal operation
Dimensions	5"W x 6.25"H x 4"Ext.

Ordering Example: AX55030-6W-30K-MBK



Prefix	Wattage	Color Temp.	Finish
AX55030	6W = 6 watt Integrated LED	30K = 3000° Kelvin	MBK = Matte Black

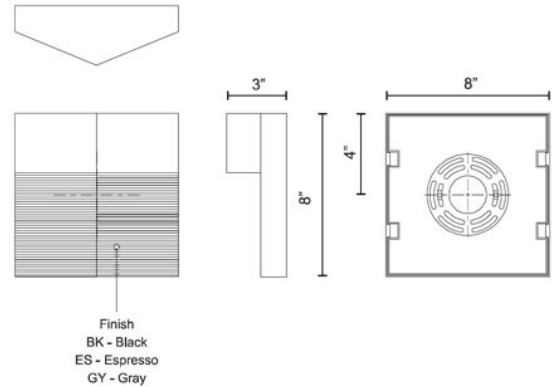
AX55106

LED Outdoor Wall Sconce



Specification Features

UL/ETL Listing	Wet Location
Construction	Aluminum
Lens/Diffuser	Acrylic
Light Source	8 Watt Integrated LED
Lumens	600lm
CRI	>90
Dimmable	Yes
Voltage	120v
Warranty	5 year normal operation
Dimensions	8" x 8" x 3"



Ordering Example: AX55106-8W-30K-BZ

Prefix	Wattage	Color Temp.	Finish
AX55106	8W = 8 watt Integrated LED	27K = 2700° Kelvin 30K = 3000° Kelvin 40K = 4000° Kelvin 50K = 5000° Kelvin	BZ = Bronze BK = Black GY = Grey

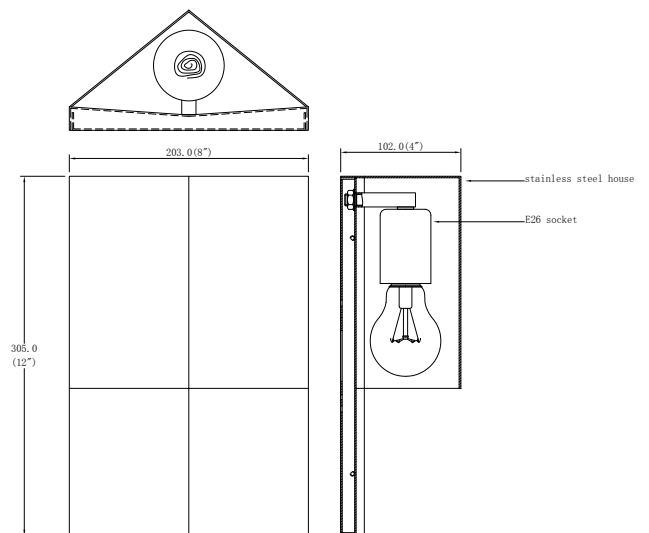
AX55107

Outdoor Wall Sconce



Specification Features

UL/ETL Listing	Wet Location
Construction	Stainless Steel
Lens/Diffuser	Acrylic
Light Source	(1) E26 Socket for 10W A19 Bulb
Voltage	120V
Warranty	5 Years Normal Operation
Dimensions	8"W x 12"H x 4"Ext.



Ordering Example: AX55106-10W-30K-BK

Prefix	Wattage	Color Temp.	Finish
AX55106	10W = (1) 10W A19 Bulb (800lm) - E26 Base	27K = 2700° Kelvin 30K = 3000° Kelvin 40K = 4000° Kelvin 50K = 5000° Kelvin	BZ = Bronze BK = Black GY = Grey



AX55110

LED Outdoor Wall Sconce



Specification Features

UL/ETL Listing	Damp Location
Construction	
Lens/Diffuser	
Light Source	9 Watt Integrated LED
Lumens	
CRI	
Dimmable	
Voltage	120v
Warranty	5 year normal operation
Dimensions	15.625" x 4.25" x 3.125"

Ordering Example: AX55110-9W-30K-BN



ADA Compliant



LISTED



Prefix	Wattage	Color Temp.	Finish
AX55110	9W = 9 watt Integrated LED	30K = 3000° Kelvin	BN = Brushed Nickel

AX55506-9W-30K-BK

Outdoor Wall Mount Up or Down Light



Specification Features

UL/ETL	Wet Location
Housing	Die Cast Aluminum
Voltage	AC 120V
Lumen	800lm
Light Source	9W Intergrated LED
Dimensions	4.53"W x 7"H x 4"Ext.

Ordering Example: AX55506-9W-30K-BK



Prefix	Wattage	Color Temp.	Finish
AX55506	9W = 9W Intergrated LED	30K = 3000° Kelvin	BK = Black

AX55508-18W-30K-BK



Outdoor Wall Mount Up & Down Light



Specification Features

UL/ETL	Wet Location
Housing	Die Cast Aluminum
Voltage	AC 120V
Lumen	1600lm
Light Source	18W Intergrated LED
Dimensions	4.53"W x 12"H x 4"Ext.

Ordering Example: AX55508-18W-30K-BK



Prefix	Wattage	Color Temp.	Finish
AX55508	18W = 18W Intergrated LED	30K = 3000° Kelvin	BK = Black

AX55801

LED Outdoor Wall Sconce



Specification Features

UL/ETL Listing	Wet Location
Construction	Aluminum
Lens/Diffuser	White Acrylic
Light Source	17 Watt Integrated LED
Lumens	1211lm
CRI	90+
Dimmable	Yes
Voltage	120v
Warranty	5 year normal operation
Dimensions	8.625"W x 11"H x 4"Ext.

Ordering Example: AX55801-17W-30K-BN



Prefix	Wattage	Color Temp.	Finish
AX55801	17W = 17 watt Integrated LED	30K = 3000° Kelvin	BN = Brushed Nickel ORB = Oil Rubbed Bronze

AX55900

Outdoor Wall Sconce



Specification Features

UL/ETL Listing	Wet Location
Construction	Aluminum
Lens/Diffuser	White Acrylic
Light Source	9W Integrated LED
Voltage	120V
Warranty	5 year normal operation
Dimensions	6.125"W x 5"H x 4"Ext.

Ordering Example: AX55900-9W-30K-BK



Prefix	Wattage	Color Temp.	Finish
AX55900	9W = 9 watt Integrated LED	30K = 3000° Kelvin	BK = Black

AX59001

LED Outdoor Wall Sconce



Specification Features

UL/ETL Rating	Wet Location
Light Source	1- 10W LED A19 Lamps
Construction	Steel
Finish	Bronze
Lens/Diffuser	Clear Glass
Mounting	Wall
Dimensions	4.75"W x 13.625"H

Ordering Example:

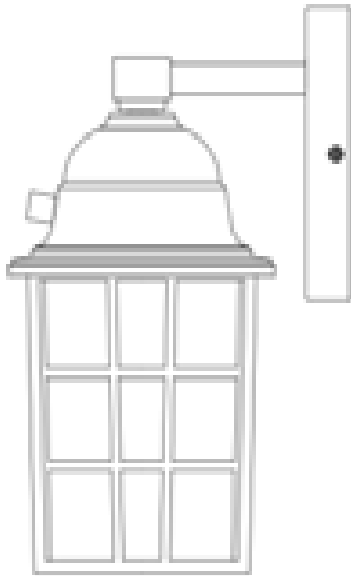
AX59001-10W-30K-BZ



Prefix	Wattage	Color Temp.	Finish
AX59001	10W = 1 - 10W LED A19 Lamp	30K = 3000° Kelvin	BZ = Bronze

AXS-YX

LED Outdoor Wall Sconce



Specification Features

UL/ETL Listing	Wet Location
Construction	Aluminum
Lens/Diffuser	Frosted White Glass
Light Source	13 Watt Integrated LED
Lumens	520lm
CRI	>80
Dimmable	Yes
Voltage	120v
Warranty	5 year normal operation
Dimensions	6"W x 11.5"H x 7.6"Ext.

Ordering Example: AXS-YX-13W-30K-BK



Prefix	Wattage	Color Temp.	Finish
AXS-YX	13W = 13 watt Integrated LED	30K = 3000° Kelvin	BK = Black

AXS50002

LED Wall Sconce



Specification Features

UL/ETL Rating	Damp Location
Light Source	30W integrated LED
Construction	Steel
Finish	Oil Rubbed Bronze
Lens/Diffuse	Acrylic Shade
Mounting	Wall
Dimensions	6"W x 14.5"H x 3.15"Ext.

Ordering Example:

AXS50002-30W-30K-ORB



Prefi	Wattage	Color Temp.	Finish
AXS50002	30W = 30 Watt Integrated LED	30K = 3000° Kelvin	ORB = Oil Rubbed Bronze