

# AXIOM

Mailboxes • Mini Blinds  
Wire Shelving • Pet Stations • Benches  
Bike Racks • Knox Boxes • Key Cabinets  
Mirrors • Fire Extinguishers  
Partitions

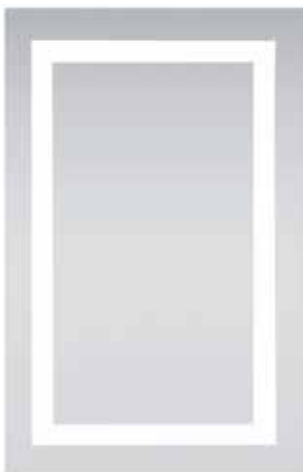
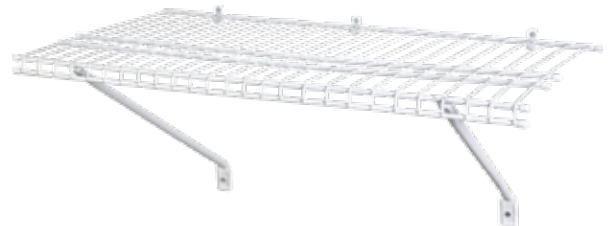


# 2023

Multi-Family Specialty Catalog

# Contents

MAILBOXES	6
MINI-BLINDS	8
ROLLER SHADES	10
WIRE SHELVING	12
TOILET PARTITIONS	14
KNOX BOXES & KEY CABINETS	16
MIRRORS & LED MIRRORS	18
FIRE EXTINGUISHERS	20
PET STATIONS, BIKE RACKS, & BENCHES	22





# MAILBOXES

Mailboxes come in multiple sizes and configurations.  
 Custom configurations are also available.

## AVAILABLE FINISHES



Antique Bronze (AB)    Black (BK)    Dark Bronze (DB)    Gold Speck (GS)



Postal Grey (PG)    Sandstone (SD)    Silver Speck (SS)    White (WH)



RECESSED MOUNT



CLUSTER BOXES



ELECTRONIC PACKAGE CONCIERGE

# Mailboxes



**MB-100**

Pedestal Mounted CBU  
8 Mail Slots, 4 Parcel Lockers



**MB-101**

Pedestal Mounted CBU  
16 Mail Slots, 2 Parcel Lockers



**MB-102**

Pedestal Mounted CBU  
13 Mail Slots, 1 Parcel Locker



**MB-103**

Pedestal Mounted CBU  
12 Mail Slots, 1 Parcel Locker



**MB-104**

Pedestal Mounted CBU  
4 Mail Slots, 2 Parcel Lockers



**MB-105**

Pedestal Mounted CBU  
8 Mail Slots, 2 Parcel Lockers



**MB-106**

Recessed Mounted 4C Mailbox  
10 Mail Slots, 2 Parcel Lockers



ADA Compliant



**MB-107**

Recessed Mounted 4C Mailbox  
29 Mail Slots



**MB-108**

Recessed Mounted 4C Mailbox  
22 Mail Slots

**All Mailboxes have 1 Outgoing Mail Slot**



# MINI-BLINDS

## SPECIFICATIONS

### ❖ HEAD RAIL

Sturdy, roll-formed steel  
23 1/2" wide x 1 1/2" height x  
300L lbs.

### ❖ BOTTOM RAIL

Injection molded plastic  
23 1/2" wide x 1 1/2" height x  
300L lbs.

### ❖ SLAT

Tapered wood slat  
1 1/2" thick x 5 1/2" wide

### ❖ VALANCE

Roll-formed steel  
23 1/2" wide x 1 1/2" high

### ❖ TAPE ROLLER SUPPORT

Injection molded plastic  
23 1/2" wide x 1 1/2" high

### ❖ WAND

Type 304 stainless steel

### ❖ TAPE ROLLER

Injection molded plastic  
with roller technology

### ❖ TILT ROD

Injection molded  
304 stainless steel

### ❖ FILTER

Injection molded  
with vinyl face

### ❖ BOTTOM RAIL ANCHORS

Injection molded plastic

### ❖ LADDER

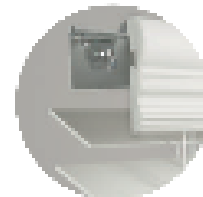
Injection molded plastic  
spring steel

### ❖ CENTER SUPPORT

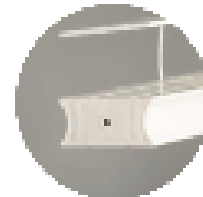
Injection molded plastic

### ❖ MOUNTING BRACKET

Injection molded plastic  
with roller technology



Close Profile Headrail



Bottom Rail-Hollow  
Extruded PVC



Slat-Flat PVC insert

# Mini-Blinds

## AVAILABLE SIZES

36"	48"	60"	64"	72"	84"
23x36	23x48	23x60	35x64	12x72	25x84
35x36	29x48	27x60	36x64	17x72	27x84
47x36	35x48	29x60	52x64	23x72	31x84
59x36	41x48	31x60		24x72	35x84
71x36	47x48	34x60		25x72	36x84
	53x48	34.5x60		27x72	43x84
	59x48	35x60		29x72	48x84
	71x48	36x60		31x72	
	72x48	37x60		34x72	
		39x60		34.5x72	
		43x60		35x72	
		46x60		36x72	
		47x60		37x72	
		48x60		39x72	
		53x60		43x72	
		58.5x60		46x72	
		59x60		47x72	
		63x60		48x72	
		70x60		52x72	
		70.5x60		54x72	
		71x60		59x72	
		72x60		63x72	
				70x72	
				70.5x72	
				71x72	
				72x72	
				85x72	
				95x72	



## 2 Inch Faux Wood Blinds

- 2" Wide slats for designer look
- 1-year warranty
- 3.35" crown valance
- Heavy duty steel headrail
- Child-safe wand design
- Static resistant slats won't warp or crack



## 3.5 Inch Economy Blinds

- 3.5" Wide slats for designer look
- 1-year warranty
- Matching crown valance
- Heavy duty steel headrail
- Child-safe wand design
- Stack left or right

## AVAILABLE SIZES

36"	46"	48"	58"	60"	72"	84"	96"
35x36	46x46	23x48	34x58	23x60	34x72	54x84	66x96
47x36		35x48	46x58	35x60	35x72	59x84	78x96
59x36		43x48	58x58	43x60	43x72	66x84	102x96
71x36		46.5x48		47x60	47x72	71x84	104x96
		47x48		59x60	59x72	72x84	110x96
		48.5x48		63x60	63x72	78x84	116x96
		59x48		70x60	71x72	85x84	
		63x48		71x60	72x72	97x84	
		70.5x48		72x60	78x72	102x84	
		71x48		78x60	102x72	104x84	
		72x48		102x60		110x84	
		78x48				116x84	
		102x48					

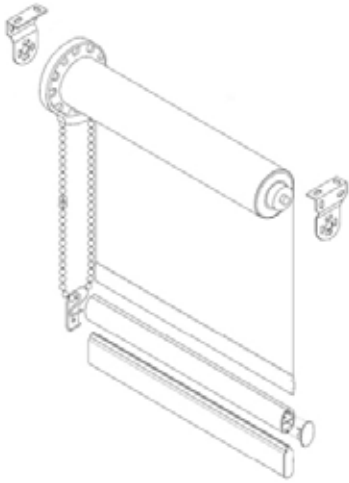




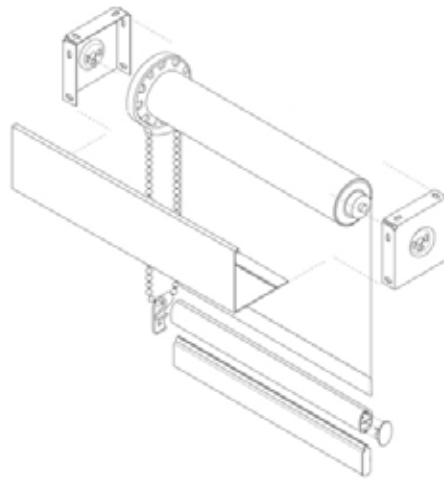
## Specifications:

- Flocked blackout material or 7/16" single cell light filtering material.
- Choose a Roman Fold Roll Up for a fuller look at a slight up-charge.
- Optional 3½" dust cover valance or aluminum fascia and other options.
- Raindrop like design gives it a unique look.
- All mounting hardware and installation screws included.
- Continuous loop clutch roller for smooth operation.
- Standard Easy Rise. Optional Cordless, Top Down / Bottom Up, or Motorized.
- Choose from a wide array of colors to match any decor.

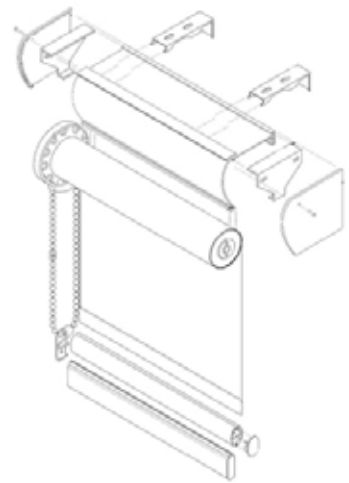
# Roller Shades



Standard- No Fascia



Standard- Metal Fascia



Standard- Curved Insert Fascia

## Available Materials & Colors

**3%** (97% of UV is blocked)



Oyster

Beige

Grey

Chestnut

Charcoal

**1%** (99% of UV is blocked)



Chalk

Alabaster

Grey

Tobacco

Black

**Blackout** (100% of UV is blocked)

White

Dark Grey

Black





## WIRE CLOSET SHELVING

### Easy organization

The WireTrac system is the quickest way to get organization in any closet. Use it anywhere in the home: walk-ins, reach-ins, pantries, linen closets, laundry, & more.

### Durability

Easy to install, the WireTrac system is fixed to the wall at set heights and provides the strength homeowners need. Steel coated with white epoxy, our wire shelving is durable and made to last.

### Value

More economical than wood, WireTrac offers closet organization and functionality for less. Homeowners get storage and aordability.



# Wire Shelving



**SHELF & ROD**

Comes in 12" or 16" depth. Best for bedroom closets and coat closets.



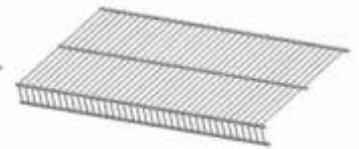
**MAXGLIDE SHELF & ROD**

Comes in 12" or 16" depth. Allows for hangers to glide the entire length.



**LINEN**

Comes in 9", 12", or 16" depth. Best for pantry, laundry, and linen closets.



**TIGHT MESH**

Comes in 9", 12", 16" or 20" depth. Features narrower wire spacing.

## LOAD CAPACITY (LBS PER LINEAR FOOT)

Shelf Length	OPEN TO OPEN		WALL TO OPEN		WALL TO WALL	
	SHELF & ROD	LINEN & MESH	SHELF & ROD	LINEN & MESH	SHELF & ROD	LINEN & MESH
1 FOOT	80	80	100	120	120	120
2 FOOT	70	70	80	90	90	90
3 FOOT	50	50	60	75	75	75
4 FOOT	45	45	55	65	65	65
5 FOOT	40	40	50	60	60	60
6+ FOOT	35	35	40	50	50	50



# TOILET PARTITIONS



## HINY HIDERS

### HINY HIDERS PARTITIONS

With tough construction and rugged good looks, Hiny Hiders partitions offer durability that will save customers time, hassle and maintenance costs. Hiny Hiders partitions offer superior value that simply can't be beat by the competition.



Durable HDPE material



Large selection of colors and textures



Customizable Partitions & Engraveable



Fire Rating Options

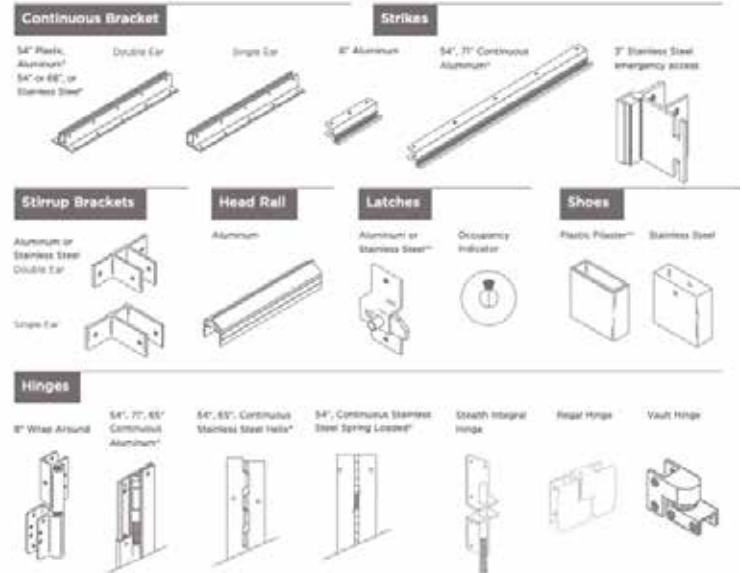


Three ADA Compliant Configurations



25-Year Warranty

# Toilet Partitions



## TRADITIONAL COLOR COLLECTION



## WARM TONE COLOR COLLECTION



## BOLD COLOR COLLECTION



## METALLIC COLOR COLLECTION







# KNOX BOXES & KEY CABINETS



Share access with dual lock capability



Store up to 50 keys, access cards, or entry items



UL 1037, UL 1610, UL 1332, UL 437



Highest security when equipped with optional alarm tamper alert



Built Knox-Rugged



Available in 3 colors



Recess Mounting Kit recommended for new concrete or masonry construction



**KB-201**  
Recessed Mount  
Aluminum  
7"H x 7"W x 4.5"D



**KB-202**  
Recessed Mount  
Black  
7"H x 7"W x 4.5"D



**KB-203**  
Recessed Mount  
Dark Bronze  
7"H x 7"W x 4.5"D



**KB-204**  
Surface Mount  
Aluminum  
7"H x 7"W x 4.5"D

# Knox Boxes & Key Cabinets



**KB-205**  
Surface Mount  
Black  
7"H x 7"W x 4.5"D



**KB-206**  
Surface Mount  
Dark Bronze  
7"H x 7"W x 4.5"D



**KB-207**  
Recessed Mount  
Aluminum  
4"H x 5"W x 3"D



**KB-208**  
Recessed Mount  
Black  
4"H x 5"W x 3"D



**KB-209**  
Recessed Mount  
Dark Bronze  
4"H x 5"W x 3"D



**KB-210**  
Surface Mount  
Aluminum  
4"H x 5"W x 3"D



**KB-211**  
Surface Mount  
Black  
4"H x 5"W x 3"D



**KB-212**  
Surface Mount  
Dark Bronze  
4"H x 5"W x 3"D



**KC-301**  
240 Key Cabinet  
Locking door with 2 keys  
16.5"W x 20.125"H x  
4.875"D



**KT-302**  
Paper Key Tag  
1.25" Diameter  
Single hole with split ring  
20 per pack



**KT-303**  
Square Key Tag  
Slotted for key cabinet  
Metal snap hook  
20 per pack



**KT-304**  
Key Ring  
1" diameter  
Split ring design  
100 per pack





# MIRRORS & LED MIRRORS



## STANDARD MIRRORS

### Conventional Mirrors

Get high-quality, USA-made mirrors perfected by over five decades of experience and more than a billion square feet delivered.

### Copper-Free Mirrors

For projects that require enhanced humidity and corrosion resistance, choose our copper-free mirror option, proudly made in our Texas facility.

### Manufacturing

Manufactured using mirror quality glass that is in compliance with ASTM C1036 specifications to give you the highest quality mirrors. Mirrors are manufactured in accordance with ASTM C1503.

### Standard Sizing

42"H x 30"W	42"H x 32"W	42"H x 34"W	42"H x 42"W	42"H x 48"W
48"H x 30"W	48"H x 32"W	48"H x 34"W	48"H x 42"W	48"H x 48"W

### Custom Sizing

Custom sizes are available. Maximum sizes up to 100" x 144".

# Mirrors & LED Mirrors



## LED MIRRORS

### Conventional Mirrors

Get high-quality, USA-made mirrors perfected by over five decades of experience and more than a billion square feet delivered.

### Copper-Free Mirrors

For projects that require enhanced humidity and corrosion resistance, choose our copper-free mirror option, proudly made in our Texas facility.

### Manufacturing

Manufactured using mirror quality glass that is in compliance with ASTM C1036 specifications to give you the highest quality mirrors. Mirrors are manufactured in accordance with ASTM C1503.

### Standard Sizing

36"H x 28"W	36"H x 30"W	36"H x 34"W	36"H x 36"W
-------------	-------------	-------------	-------------

### Custom Sizing

Custom sizes are available. Maximum sizes up to 100" x 144".

# Fire Extinguishers & Cabinets



**FE-501**

1A-10B:C Rated



**FE-502**

3A-40B:C Rated  
Available with Brass Valve Upon Request



**FE-503**

4A-80B:C Rated  
Available with Brass Valve Upon Request



**FE-504**

10A-120B:C Rated  
Available with Brass Valve Upon Request



**FE-505**

1A:K Rated



**CLASS A FIRES**

Common  
Combustibles



**CLASS B FIRES**

Flammable  
Liquids  
and Gases



**CLASS C FIRES**

Energized  
Electrical  
Equipment



**CLASS K FIRES**

Cooking Oils, Greases,  
and Fats



**FEC-601**

Glazing, Mounting, Finish, &  
Rating are Customizable



**FEC-602**

Glazing, Mounting, Finish, &  
Rating are Customizable



**FEC-603**

Glazing, Mounting, Finish, &  
Rating are Customizable



**FEC-604**

Glazing, Mounting, Finish, &  
Rating are Customizable





# PET STATIONS, BIKE RACKS, & BENCHES



**PS-4001**

Poly Pet Station  
 Reflective 12"x18" Sign  
 10 gal. poly receptacle with lid - 21" x 13" x 12"  
 4'8" telescopic post



**PS-4002**

Aluminum Pet Station  
 Reflective 12"x18" Sign  
 10 gal. steel receptacle with lid - 21" x 13" x 12"  
 4'8" telescopic post



**PS-4003**

Hanging Bag Pet Station  
 Reflective 12"x18" Sign  
 10 gal. steel receptacle with lid - 21" x 13" x 12"  
 4'8" telescopic post



**PS-4004**

Junior Bag Dispenser  
 R12 gauge powder coated aluminum  
 Front locking access panel  
 Clearly posted installation instructions and mounting hardware included

# Pet Stations, Bike Racks, & Benches



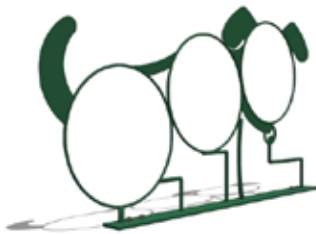
**ASB-01**  
Arched Stepping Bones  
Tough Thermoplastic coating  
Each step is 16"W x 12"D  
84" Overall Length



**BT-02**  
Bone Table  
Tough Thermoplastic coating  
60"L x 24"W



**BB-03**  
Dog Themed Bone Bench  
Tough Thermoplastic coating  
Ground or surface mounting  
72" Long - Steel frame



**DSJ-04**  
Three Hoop Dog Shaped Jump  
Securely mounted with 1.9" 13 gauge  
tubing  
Secure anchors  
80"L x 42"H 24" Openings



**BLP-05**  
Bone Leash Post  
Four places for multiple leashes  
Bone themed for dog parks  
36" High made of 2.375" Piping



**TR-06**  
Dog Themed Trash Receptacle  
32 gallon capacity  
Comes with 1 box of 33 gal. liners  
Tough thermoplastic coating



**TR-07**  
Steel Trash Receptacle  
10 gallon with hinged lid  
Includes mounting hardware and box of 50  
can liners



**LB-08**  
Litter Pick-up Bags  
13" x 8" - 0.8 mil thickness  
200 bags per roll  
10 rolls per case



**LB-09**  
Header Station Pick-up Bags  
13" x 8" - 0.8 mil thickness  
100 bags per pack  
Replacement bags for DCA-415044



**CL-10**  
Can Liners  
10-15 gallon  
1.5 mil thickness  
50 per box



**LB-11**  
Litter Pick-Up Bags  
13" x 8" - 0.8 mil thickness  
200 bags per roll  
Fits many pet stations

# Pet Stations



**PS-12**  
50" Left Door/Right Drain

**PS-13**  
50" Right Door/Left Drain



**PS-14**  
62" Left Door/Right Drain

**PS-15**  
62" Right Door/Left Drain



# Benches



**B-16**



**B-17**



**B-18**



**B-19**

# Tables & Chairs



**TC-20**



**TC-21**



**TC-22**



**TC-23**

# Trash & Recycling



**TR-24**



**TR-25**



**TR-26**



**TR-27**

# Bike Racks



BR-28



BR-29



BR-30



BR-31

# Cigarette Receptacles



CR-32



CR-33



CR-34



CR-35

# Planters



P-36



P-37



P-38



P-39

# Umbrellas



**U-40**



**U-41**



**U-42**

# Bollards



**B-43**



**B-44**



**B-45**



**B-46**

# Grills



**G-47**



**G-48**

# 911 Call Boxes



**CB-49**

Wired/Wireless Connection  
Programmed to call 911



**CB-50**

Wired/Wireless Connection  
Programmed to call 911

# Low Voltage Media Center



**LVMC-51**



# CONSTRUCTION & SAFETY EQUIPMENT

# Reusable Construction Entrance



INSTALL IN  
**30**  
MINUTES



CRUSH RATING  
**2.8**  
MILLION IBS.



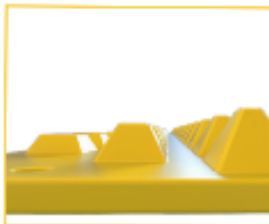
LIFE SPAN  
**10+**  
YEARS



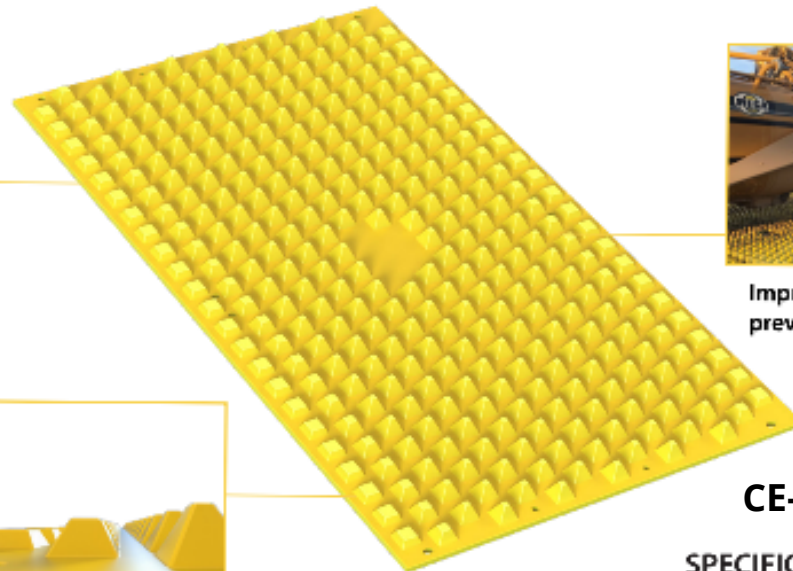
Pyramids effectively clean tires through compression and stretching without damage to the tire



Improves compliance, prevents road hazards



Built-in ramp for gradual transition onto and off of mats



**CE-52**

**SPECIFICATIONS**  
Mat Size: 12'(w) x 7'(l) x 3 3/4"(h)  
Pyramid Size: 2 7/8"(h)  
Mat Weight: 420 lbs.  
Lifespan: 10+ years